





772 Multi-Flavor

PRODUCT SPECIFICATIONS



Capacity

Electric Frequency	60 Hz			50 Hz		
	Air-Cooled	Remote	Water-Cooled	Air-Cooled	Remote	Water-Cooled
Barrel Volume	184 oz	184 oz	184 oz	5,441 mL	5,441 mL	5,441 mL
Continuous Draw - Single Barrel [§]	-	-	-	-	-	-
Continuous Draw - Alternating Barrels [§]	4,500 oz/hr	5,020 oz/hr	4,850 oz/hr	115,337 mL/hr	124,209 mL/hr	-
Recovery Time [§]	4 mins	3 mins	3 mins	4 mins	3 mins	-
Refrigeration	15,000 BTU/hr (15,826 kJ/hr), R-404A/R-448A [†]		19,000 BTU/hr (20,046 kJ/hr), R-404A/R-448A [†]			
Agency	NSF 18  Intertek UL/CSA 60335-1  Intertek Complies with UL 60335-1; UL 60335-2-89; IEC 60335-2-75.			Complies with IEC/EN 60335-1; IEC/EN 60335-2-75; IEC/EN 60335-2-89; IEC/EN 61000-3-2; IEC/EN 61000-3-3; CISPR 14-1; CISPR 14-2.		

[§] Testing completed at 75°F (24°C).

[†] R-404A and R-448A refrigeration systems are functionally equivalent.

Electrical Requirements[‡]

Electric Frequency	60 Hz	50 Hz
Voltage	215 - 245 VAC ^Δ , Single Phase	215 - 245 VAC ^Δ , Single Phase
Current/Power	20 Amps	3,000 W
Receptacle	NEMA #L6-20R, 3 Wire	Varies depending on market.
Beater Motor	(2) 1/6 HP, 0.85 A	(2) 1/6 HP, 0.81 A
Fan Motor	(1) 1/6 HP, 0.83 A	(1) 1/6 HP, 0.60 A

[‡] General requirements only. Always check dispenser nameplate label for specific rating information.

^Δ Buck-boost transformer or AVR required for operation outside this range.

ROHS Compliant. FBD strives for continuous improvements and engineering innovations. Equipment design and/or specifications may change without notice.

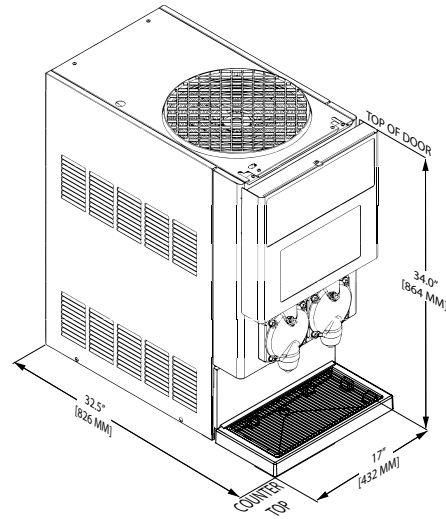
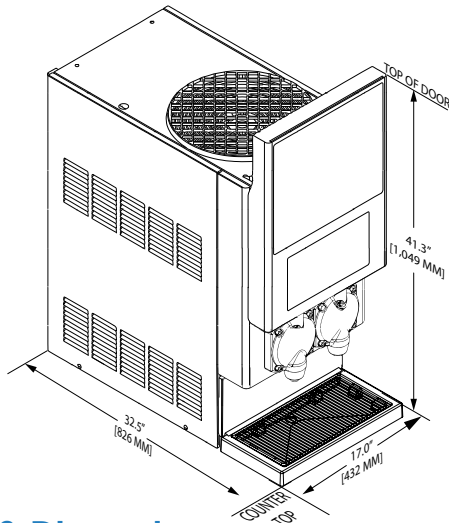
©2024, FBD Partnership, L.P. FBD®, the FBD logo, and "Everyone Loves Frozen®" are trademarks of FBD Partnership, L.P., all rights reserved.

24-772S-0002_04



Frozen Beverage Dispensers
EVERYONE LOVES FROZEN®

772 Multi-Flavor



Weights & Dimensions

Measuring System	Imperial			Metric		
	Short Door	Tall Door		Short Door	Tall Door	
Door Model	Short Door	Tall Door		Short Door	Tall Door	
Height	34.0 in	41.3 in		864 mm	1,049 mm	
Width	17.0 in			432 mm		
Depth	32.5 in			826 mm		
Back/Side Clearance (Min.)	3 in			76 mm		
Top Clearance (Min.)	12 - 36 in*			304 - 914 mm*		
Duratrans	6 1/2 in x 15 3/4 in	14 1/8 in x 15 3/4 in		165 mm x 400 mm	359 mm x 400 mm	
Flavor Card	-			-		
Screen Size	13.3 in Touch Screen			338 mm Touch Screen		
Dispenser Type	Air-Cooled	Remote	Water-Cooled	Air-Cooled	Remote	Water-Cooled
Empty Weight	310 lbs	295 lbs	307 lbs	141 kg	134 kg	139 kg
Operating Weight	333 lbs	318 lbs	320 lbs	151 kg	144 kg	151 kg

* 12 in (304 mm) with side or back open-air conditions, 36 in (914 mm) in equipment alcove.

Water, CO₂ and Syrup Requirements

Measuring System	Imperial		Metric	
Water System Input	3/8" Supply Line, 30 PSIG Flowing (minimum)		3/8" Supply Line, 207 kPag Flowing (minimum)	
CO ₂ System Input	70 - 72 PSIG (maximum)		483 - 496 kPag (maximum)	
Condenser Water Inlet Flow Rate [°]	1 - 3 gal / min		3.8 - 11.4 L/min	
Condenser Water Inlet Temperature [°]	40 - 90° F		4.4 - 32° C	
Syrup	Input: 70 - 72 PSIG (482 - 496 kPag)			
	Bag-In-Box (BIB) Connections, (2) Base Syrups and (8) Flavor Injection Syrups			

[°] For water-cooled dispensers.