

CED 2500
High Performance

LANCER®



High Performance Dispenser

The CED 2500 is designed using the highest quality materials and proven technology providing our customers with consistent drink quality.

CED 2500 High Performance Dispenser

- > Stainless steel cabinet, water bath, product lines, and drip tray assembly; removable refrigeration deck
- > Available with 6 or 8 post-mix dispensing valves
- > All valves can be serviced independently
- > Insulation is CFC-free structural foam
- > All installation from front of unit
- > CFC-free, R134A refrigerant
- > Optional lighted front marquee kit and leg kit
- > Standard capacity 3/4 hp, 55 lb ice bank, flooded manifold
- > Flex manifold configuration for multiple non-carbonated drinks
- > **Dispensing Solutions that *Pour More***



LANCER®

lancercorp.com

CED 2500

High Performance

SPECIFICATIONS

DIMENSIONS

Height: 31.25" [794 mm]
Width: 26" [660 mm]
Depth: 27.125" [689 mm]

ELECTRICAL

115V/60Hz, 7.5AMPs
230V/50Hz, 7.5AMPs

WEIGHT

Empty: 209 lbs [95 kg]
Operating: 376 lbs [171 kg]
Shipping: 257 lbs [117 kg]

ICE

Capacity: 55 lbs [25 kg]

FITTINGS

Soda Inlets: 3/8" male barb
Syrup Inlets: 3/8" male barb

VALVES

LEV® and other valves available upon request

FLEX MANIFOLD CONFIGURATION

6 valve 3-2-1
8 valve 3-1-1-3

KEY LOCK SWITCH

COMPRESSOR

3/4 hp

MOTORS

Agitator: 25 w
Condenser Fan: 35 w

ICE BANK CONTROL

Lancer Electronic Ice Bank Control

TRANSFORMER

24 V Secondary

WATER

Capacity: 21 gal [80 L]

DRAW PERFORMANCE

Number of Drinks Below 40°F

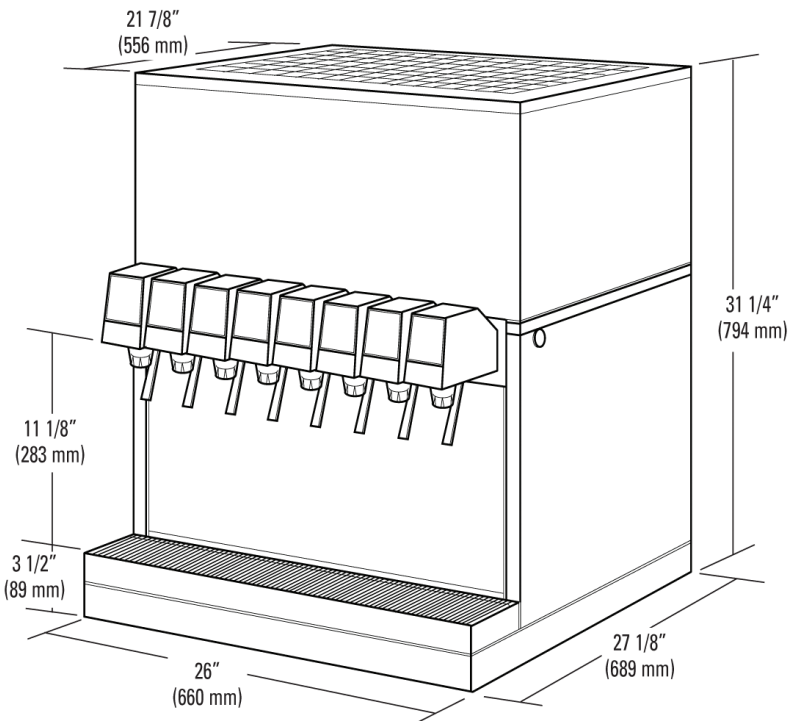
75°F (24°C) Ambient Temperature

538 drinks; 12oz / 4 drinks per minutes

90°F (32°C) Ambient Temperature

308 drinks; 12oz / 2 drinks per minute

156 drinks; 12oz / 4 drinks per minute



OPTIONS

Lighted Marquee

Leg Kit



Customer Service:

Should you require more information about our products, please do not hesitate to contact our customer service desk at custserv@lancercorp.com.

Warranty:

For warranty specifics by product, contact your Lancer Sales Representative. Equipment design and/or specifications are subject to change without notice.

Lancer Corp. 6655 Lancer Boulevard · San Antonio, TX 78219
210-310-7000 · 1-800-729-1500 · Fax: 210-310-7250



Pour More

LANCER

lancercorp.com