



Ice-O-Matic®

Service Parts Manual Hotel Dispenser Model - CD300



**Mile High Equipment
11100 East 45th Ave
Denver, Colorado 80239**

Part Number 9081293-01

Print Date 04/07

CD300 Hotel Dispenser Service Parts

This parts list contains the service parts available for the CD300 Hotel Dispenser.

Check the model number on the data plate and refer to the correct listing for the specific component.

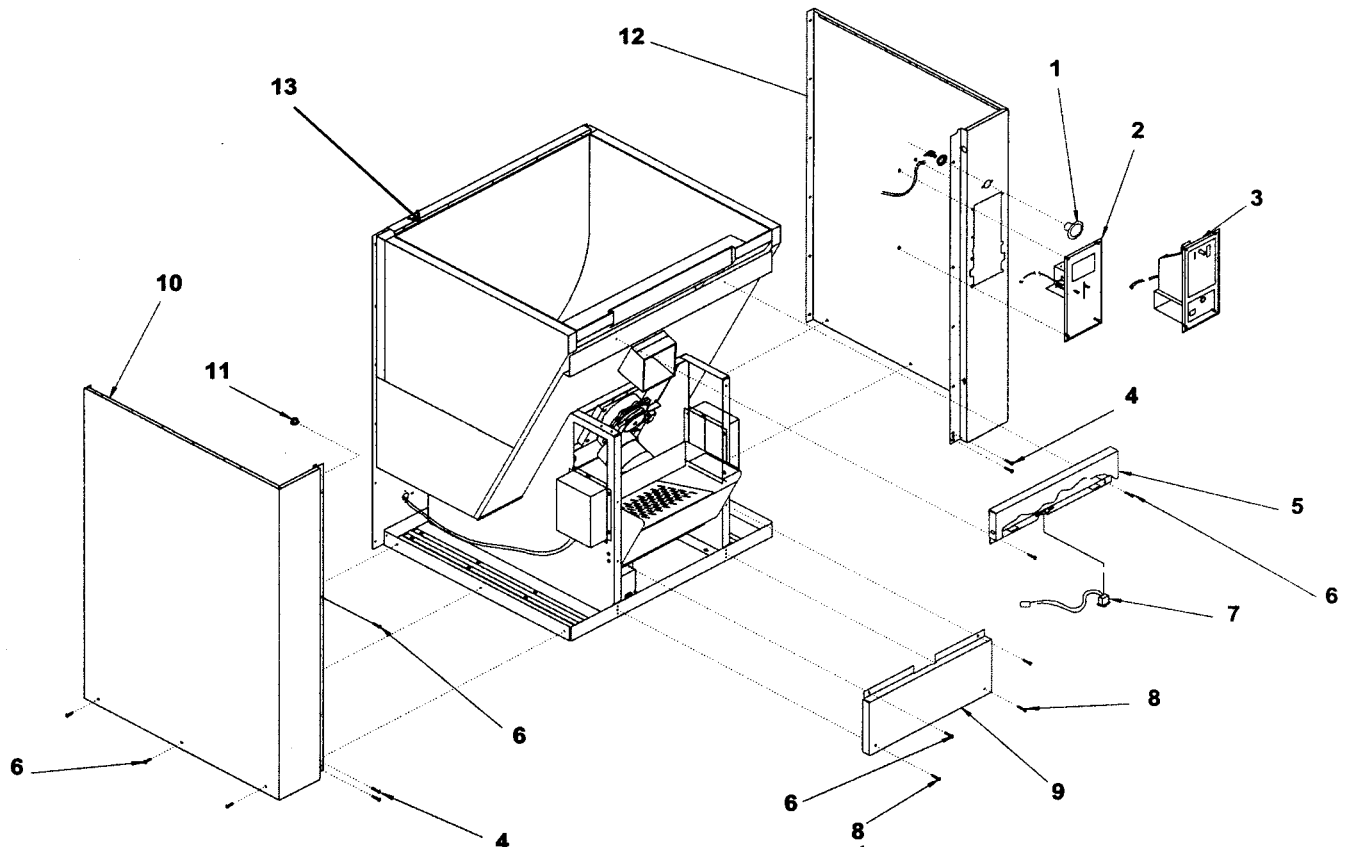
Check carefully that the correct part is identified and ordered.

Table of Contents	Page 1
Panels	Page 2
Cabinet	Page 3
Lower Cabinet Parts	Page 4
Hopper and Rotor	Page 5
Dispensing Components	Page 6
Gear Drive	Page 7
Control Box	Page 8
Coin and Card Mechanisms	Page 9

Ice-O-Matic
11100 East 45th Ave.
Denver, Co. 80239

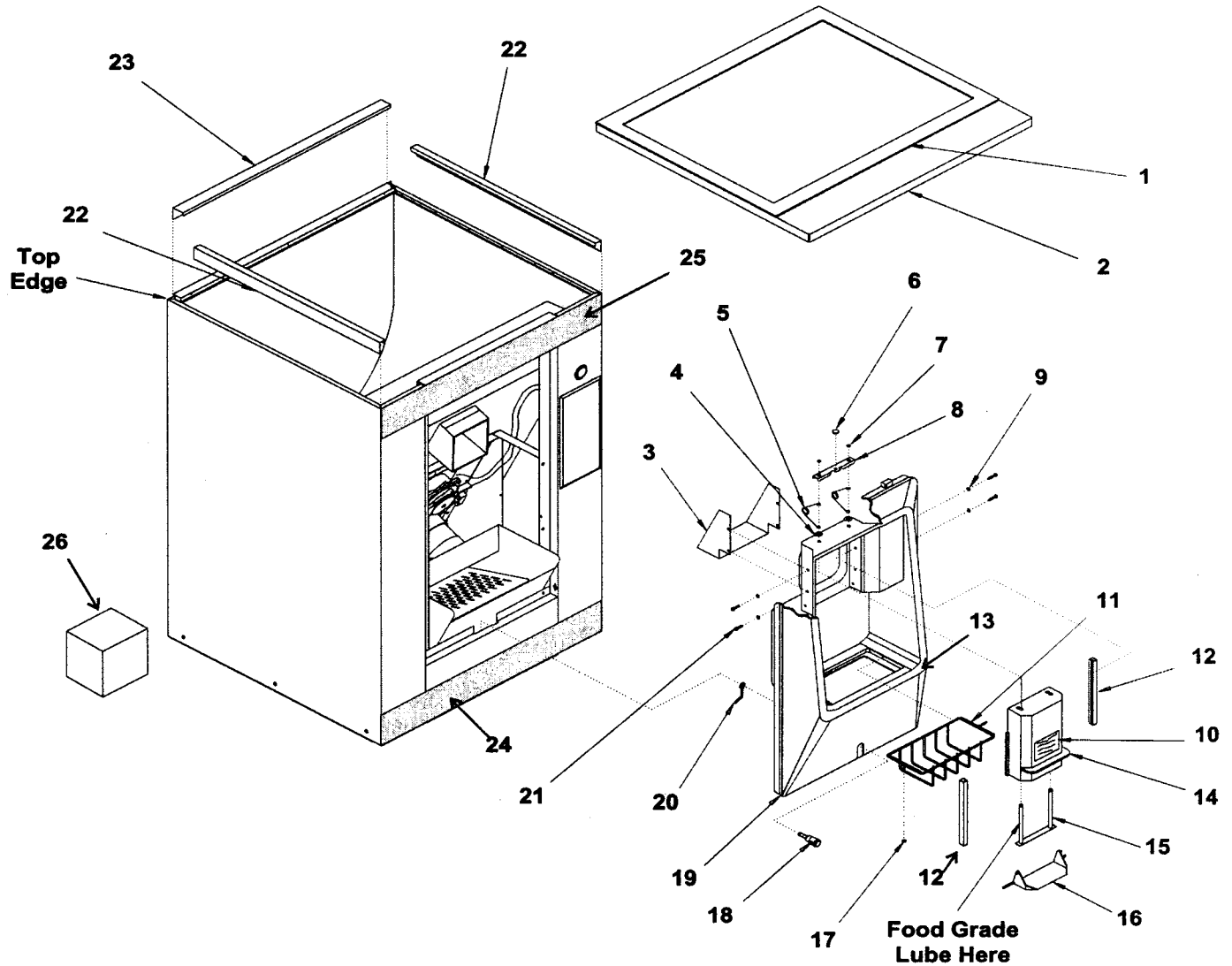
The CD300 Service Installation Manual is available separately, Part Number 9081292-01

CD300 Hotel Dispenser Service Parts Panels



Item No.	Part Number	Description	Item No.	Part Number	Description
1	1011339-34	Push Button Switch	8	1011339-67	Screw
2	See Page 9	Card Kit	9	1011339-121	SS Panel, Bottom
3	See Page 9	Coin Mech	10	1011339-137	SS Left Side Panel
4	1011339-70	Screw	11	1011339-80	Strain Relief
5	1011339-122	SS Upper Front Panel	12	1011339-135	SS RH Panel, Coin or Card Kit
6	1011339-73	Screw		1011339-136	SS RH Panel, Button Only
7	1011339-84	Switch	13	1011339-127	SS Back Panel

CD300 Hotel Dispenser Service Parts Cabinet

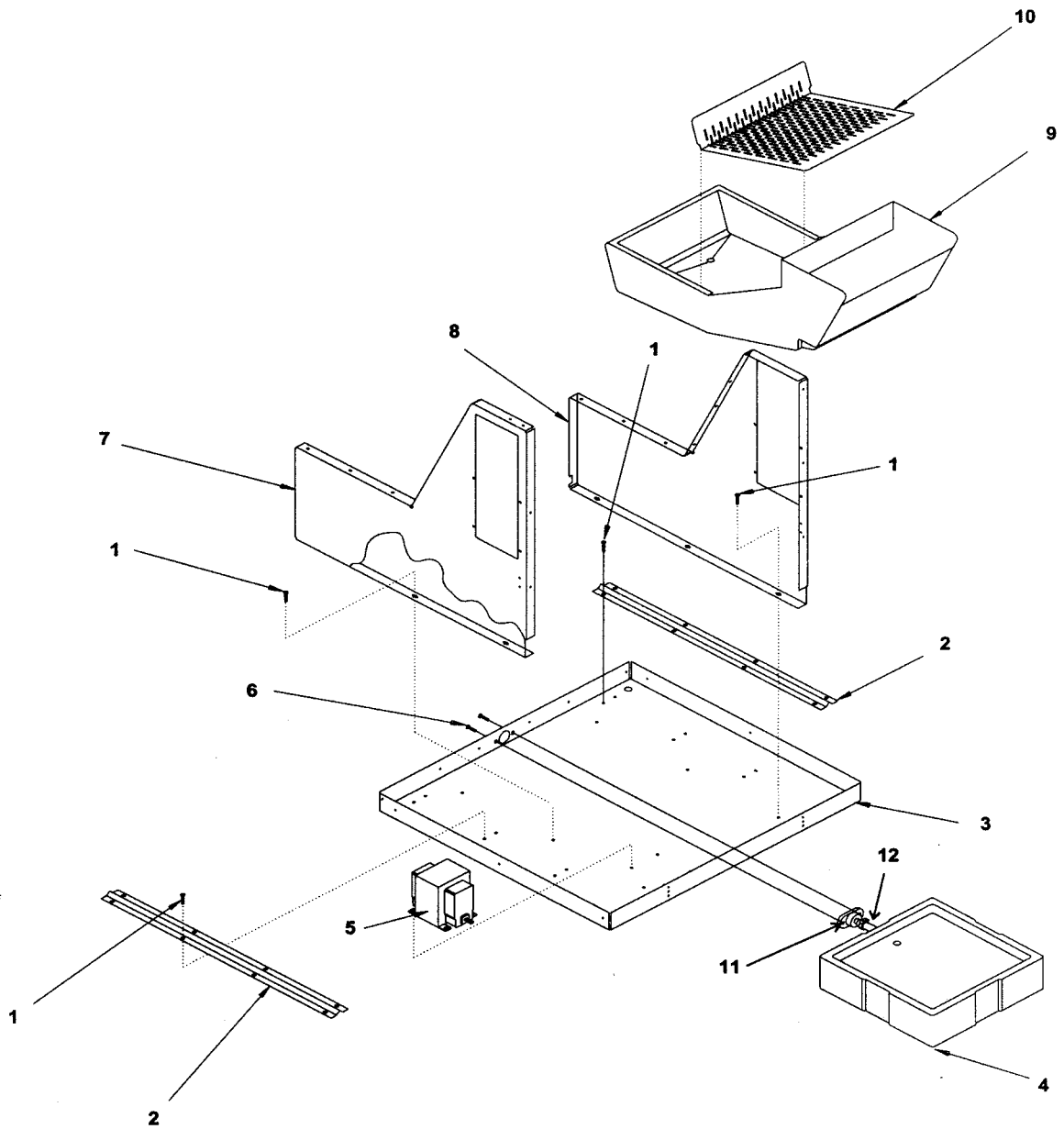


Item No.	Part Number	Description
1	1011339-104	Gasket, 9 Required
2	1011339-35	Top Panel-Plastic
3	1011339-107	Shield
4	1011339-53	Washer
5	1011339-09	Spring
6	1011339-40	Bumper
7	1011339-96	Retainer
8	1011339-132	Bar
9	1011339-52	Washer
10	1011339-99	Button, Dispense Decal Only
11	1011339-23	Grill
12	1011339-27	Track
13	1011339-142	Optional Ice Baffle Kit
14	1011339-05	Dispensing Hood Label

Item No.	Part Number	Description
15	1011339-106	Return Assembly
16	1011339-06	Ice Chute
17	1011339-76	Nut
18	1011339-131	Lock Kit
18	1011339-29	Key
19	1011339-21	Sink
20	N/A	Latch, Included in Item 18
21	1011339-38	Thumb Screw
22	1011339-126	Side Bracket
23	1011339-125	Rear Bracket
24	1011339-102	Bottom Label
25	1011339-101	Top Label
26	1011339-143	Leg Kit (4 Each)

CD300 Hotel Dispenser Service Parts

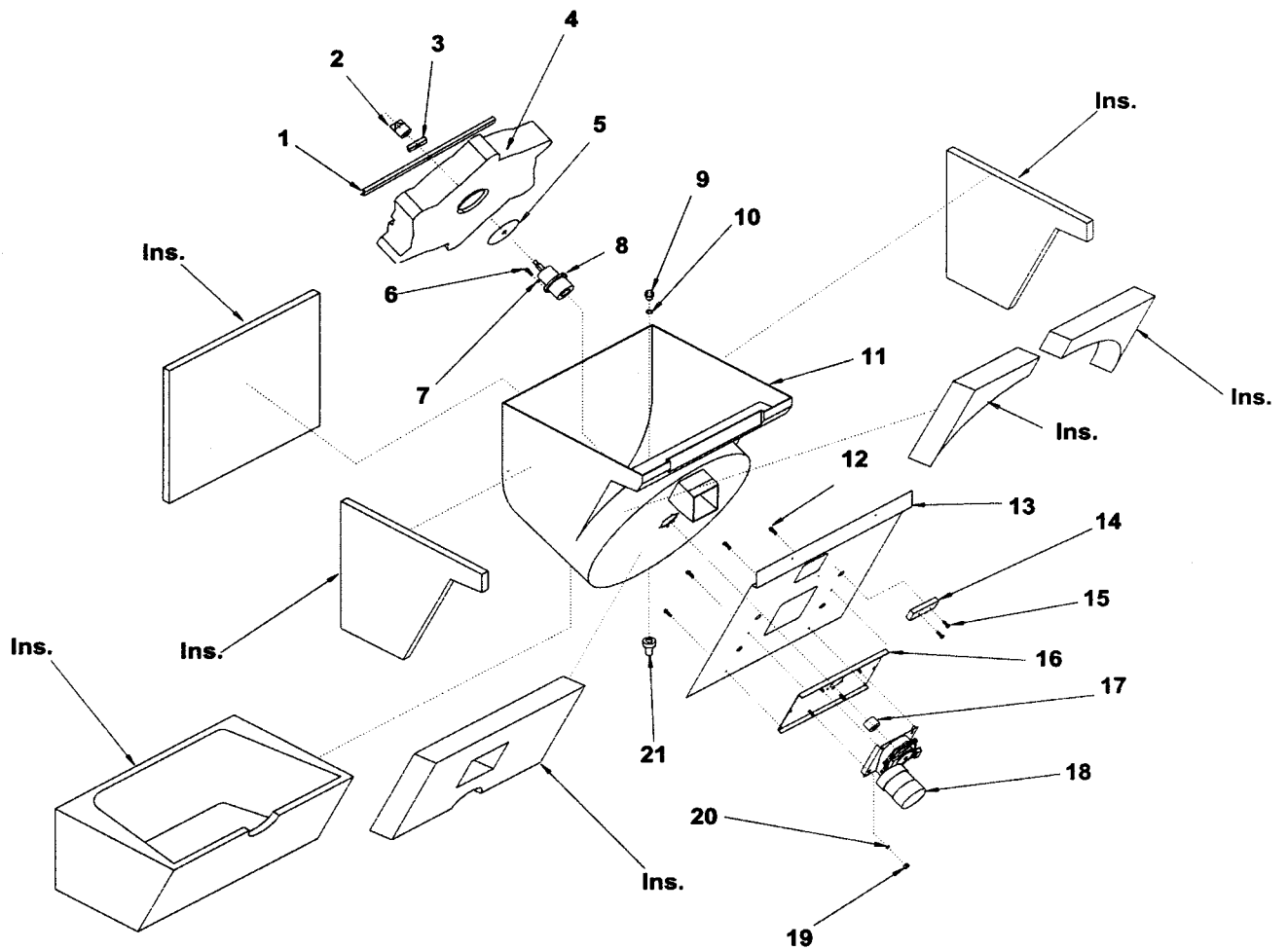
Lower Cabinet Parts



Item No.	Part Number	Description
1	1011339-74	Screw
2	1011339-118	Brace
3	1011339-138	Base
4	1011339-141	Drain Pan And Fitting
5	1011339-90	50 HZ. Transformer
6	1011339-37	Screw
7	1011339-119	Bin Support, Left

Item No.	Part Number	Description
8	1011339-120	Bin Support, Right
9	1011339-129	Drain Chute
10	1011339-130	Dam Screen
11	1011339-117	Drain Fitting
12	1011339-36	Drain Tube
	1011339-19	Hose Clamp-Bottom
	1011339-20	Hose Clamp-Top

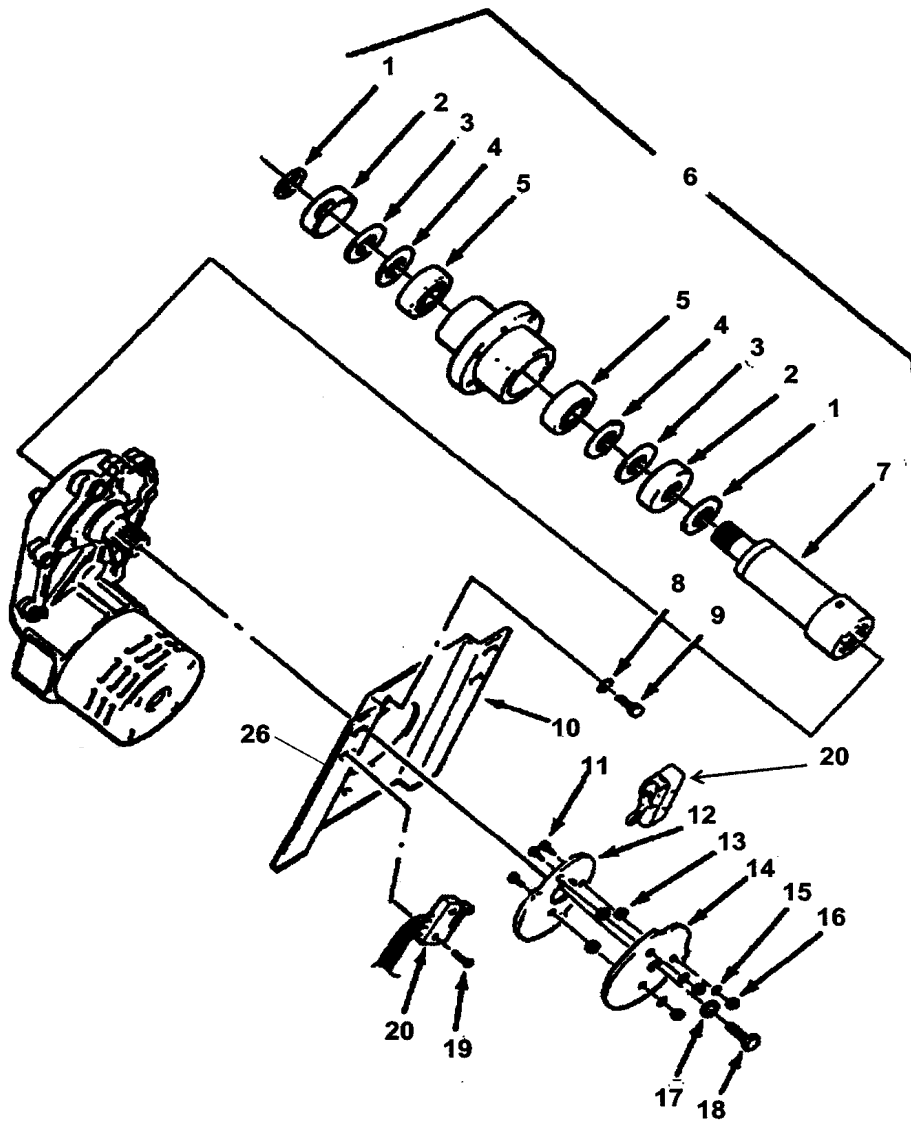
CD300 Hotel Dispenser Service Parts Hopper And Rotor



Item No.	Part Number	Description
1	1011339-134	Rotor Channel
2	1011339-28	Rotot Nut
3	1011339-33	Drive Block
4	1011339-133	Rotor Channel
5	1011339-77	Washer
6	1011339-45	Screw
7	1011339-66	Washer
8	1011339-30	Shaft And Housing
9	1011339-18	Drain Top
10	1011339-95	O-Ring
11	1011339-22	Storage Bin

Item No.	Part Number	Description
12	1011339-75	Screw
13	1011339-124	Retainer
14	1011339-88	Terminal Block
15	1011339-46	Screw
16	1011339-123	Gear Motor Support
17	1011339-97	Coupling
18	1011339-108	Gear And Motor
19	1011339-51	Hex Nut
20	1011339-64	Lockwasher
21	1011339-17	Drain

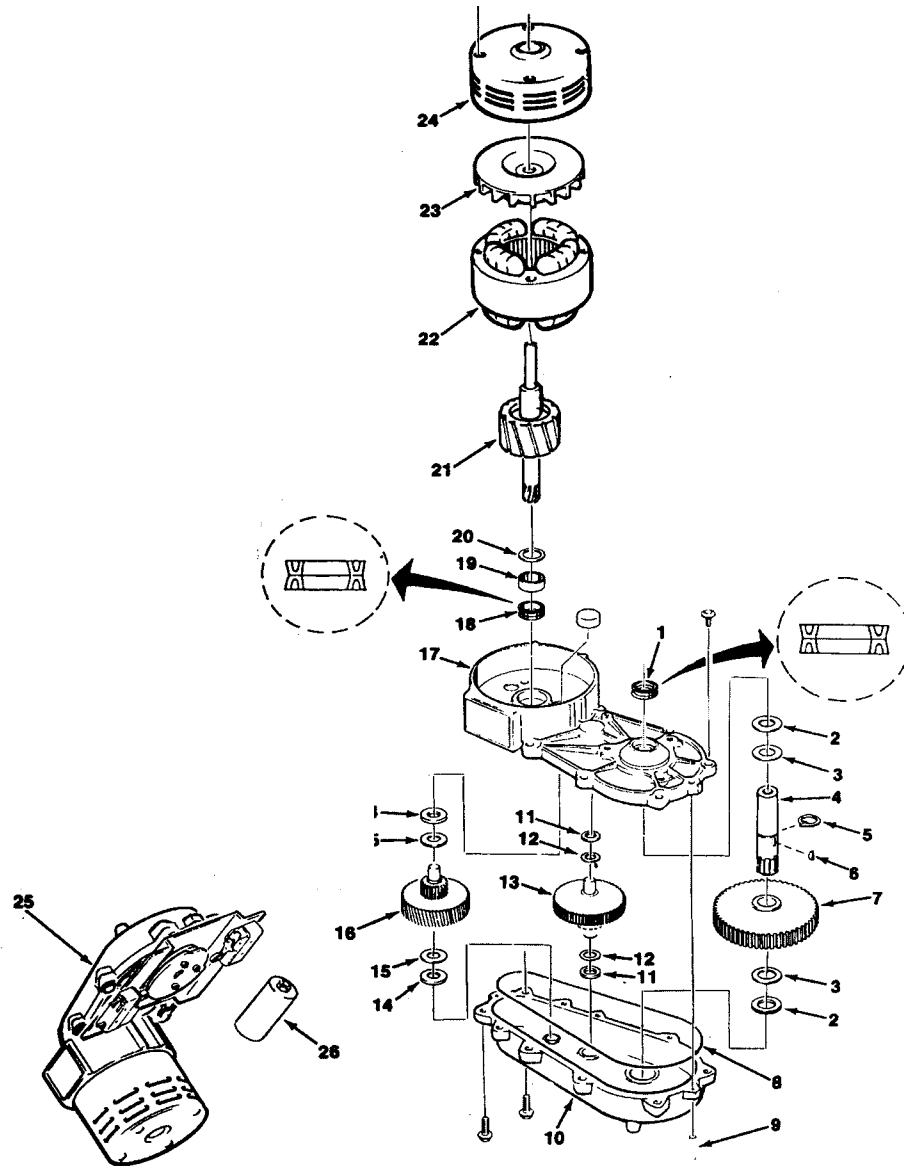
CD300 Hotel Dispenser Service Parts Dispensing Components



Item No.	Part Number	Description	Item No.	Part Number	Description
1	1011339-69	Retaining Ring	11	1011339-44	Screw
2	1011339-07	Cup Closure	12	1011339-139	Cam, Bottom
3	1011339-58	Special Washer	13	1011339-116	Spacer
4	1011339-08	Flinger	14	1011339-140	Cam (Top)-Button Only
5	1011339-11	Bearing Cup	15	1011339-65	Lockwasher
5	1011339-12	Bearing Cone	16	1011339-50	Nut
6	1011339-31	Bearing Housing(Includes 1-7)	17	1011339-62	Lockwasher
7	1011339-32	Shaft And Coupling	18	1011339-48	Screw
8	1011339-63	Lockwasher	19	1011339-43	Screw
9	1011339-49	Screw	20	1011339-91	Cam Switch
10	1011339-115	Bracket, Double Cam	21	1011339-41	Speed Nut

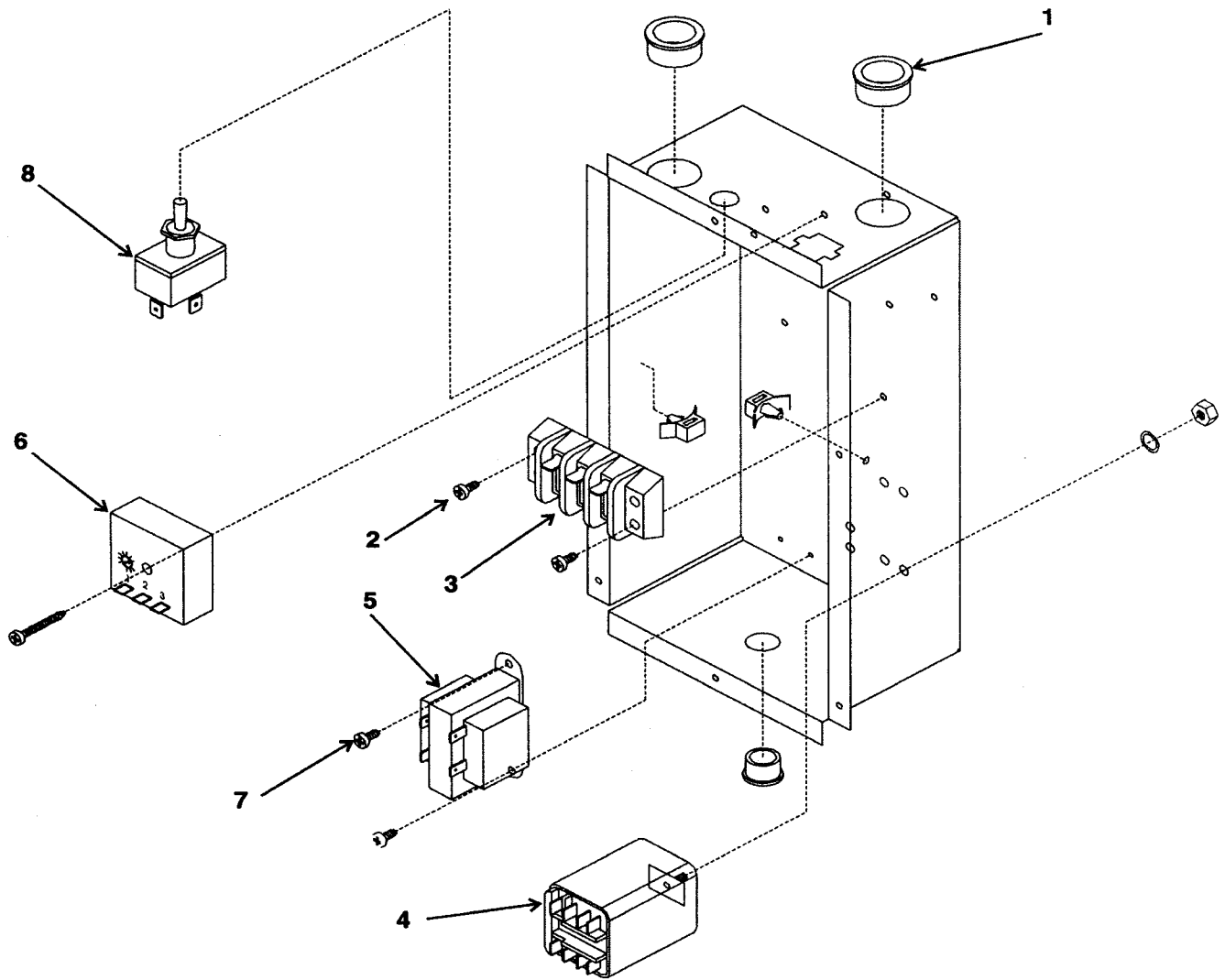
CD300 Hotel Dispenser Service Parts

Gear Drive



Item No.	Part Number	Description	Item No.	Part Number	Description
1	1011339-02	Grease seals (2)	14	1011339-54	Washer
2	1011339-57	Washer	15	1011339-59	Washer
3	1011339-55	Washer	16	1011339-16	First Gear, Second Pinion
4	1011339-15	Output Shaft	17	1011339-113	Gear Box Cover
5	1011339-68	Retaining Ring	18	1011339-03	Grease Seal
6	1011339-72	Woodruff Key	19	1011339-01	Bearing
7	1011339-14	Output Gear	20	1011339-56	Washer
8	1011339-04	O-Ring	21	1011339-110	Rotor Assembly
9	1011339-39	Roll Pin	22	1011339-85	Stator (115)
10	1011339-111	Gear Case Assembly	23	1011339-112	Cooling Fan
11	1011339-60	Washer	24	1011339-105	Motor Housing
12	1011339-61	Washer Shim	25	1011339-109	Gear Motor, Less Cam Bracket
13	1011339-13	Second Gear, Third Pinion	26	1011339-103	Capacitor

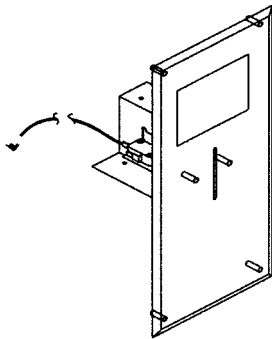
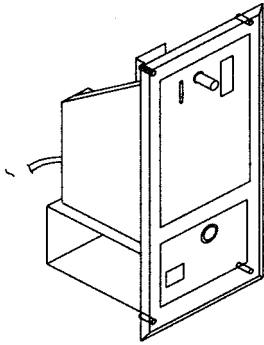
CD300 Hotel Dispenser Service Parts Control Box



Item No.	Part Number	Description
1	1011339-82	Snap Bushing
2	1011339-71	Screw
3	1011339-87	Terminal Strip
4	1011339-86	Relay
5	1011339-94	Transformer (115P-24S)

Item No.	Part Number	Description
6	1011339-93	Recycling Timer
7	1011339-47	Screw
8	1011339-78	Toggle Switch
9	1011339-128	Control Box Cover (Not Shown)

CD300 Hotel Dispenser Service Parts Coin And Card Mechanisms



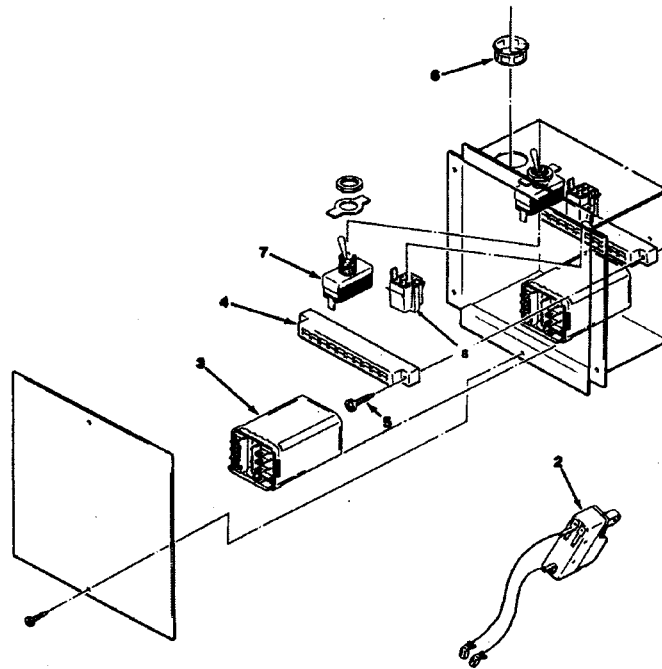
Coin Mechanism

Kit Complete 1011339-24

Item No.	Part Number	Description
1	1011339-10	Lock Kit (Includes Key and Lock)
2	1011339-24	Coin Return Kit
3	1011339-25	Cash Box Key
4	1011339-26	Coin Switch
5	1011339-100	Label

Key Card

Item No.	Part Number	Description
1	1011339-114	Cover Plate, SS
2	1011339-92	Microswitch
3	1011339-98	Label



Relay Box For Coin Mechanism

Item No.	Part Number	Description	Item No.	Part Number	Description
1	N/A	Relay Box	5	1011339-42	Screw
2	1011339-81	Cam Switch	6	1011339-83	Bushing
3	1011339-86	Relay	7	1011339-79	Switch
4	1011339-88	Terminal Block	8	1011339-89	Plug And Harness