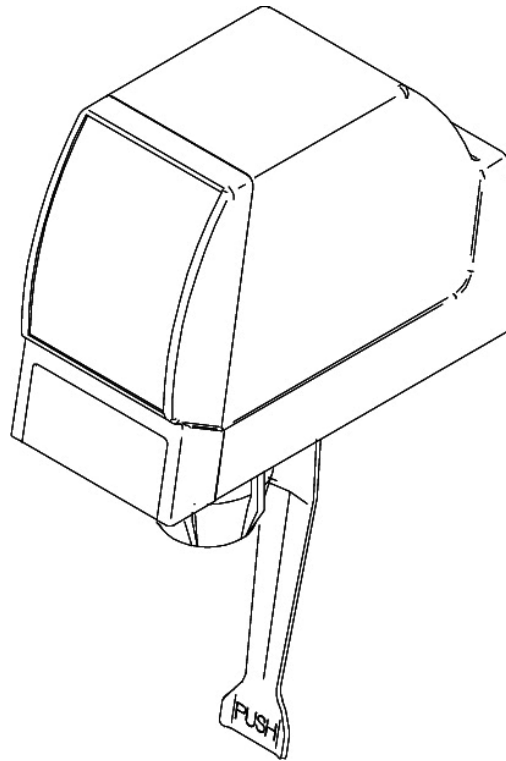




UF-1 AND UFB-1 POST MIX-DISPENSING VALVE ILLUSTRATED PARTS LIST



Release Date: January 01, 2007
Publication Number: 315222003IPL
Revision Date: April 13, 2022
Revision: M



MARMON
Foodservice
Technologies

A BERKSHIRE HATHAWAY COMPANY

Visit the Cornelius web site at www.cornelius.com for all your Literature needs.

The products, technical information, and instructions contained in this manual are subject to change without notice. These instructions are not intended to cover all details or variations of the equipment, nor to provide for every possible contingency in the installation, operation or maintenance of this equipment. This manual assumes that the person(s) working on the equipment have been trained and are skilled in working with electrical, plumbing, pneumatic, and mechanical equipment. It is assumed that appropriate safety precautions are taken and that all local safety and construction requirements are being met, in addition to the information contained in this manual.

This Product is warranted only as provided in Cornelius' Commercial Warranty applicable to this Product and is subject to all of the restrictions and limitations contained in the Commercial Warranty.

Cornelius will not be responsible for any repair, replacement or other service required by or loss or damage resulting from any of the following occurrences, including but not limited to, (1) other than normal and proper use and normal service conditions with respect to the Product, (2) improper voltage, (3) inadequate wiring, (4) abuse, (5) accident, (6) alteration, (7) misuse, (8) neglect, (9) unauthorized repair or the failure to utilize suitably qualified and trained persons to perform service and/or repair of the Product, (10) improper cleaning, (11) failure to follow installation, operating, cleaning or maintenance instructions, (12) use of "non-authorized" parts (i.e., parts that are not 100% compatible with the Product) which use voids the entire warranty, (13) Product parts in contact with water or the product dispensed which are adversely impacted by changes in liquid scale or chemical composition.

Contact Information:

To inquire about current revisions of this and other documentation or for assistance with any Cornelius product contact:

www.marmonfoodservice.com

www.cornelius.com

800-238-3600

Trademarks and Copyrights:

This document contains proprietary information and it may not be reproduced in any way without permission from Cornelius.

This document contains the original instructions for the unit described.

MARMON FOODSERVICE TECHNOLOGIES INC

355 Kehoe Blvd

Carol Stream, IL

Tel: + 1 800-238-3600

Printed in U.S.A.

UF-1 AND UFB-1 POST-MIX DISPENSING VALVE

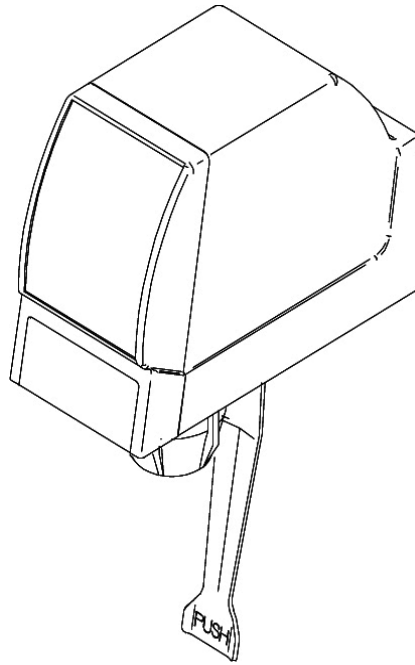


Figure 1.

Part Numbers	Description	Flow Rate (Oz/Sec)
Portion Control Valves		
2307	UF-1, ceramic regulator, with mounting block and covers	1.5-3 Oz (44.4-88.8 ml)
561000159	UFB-1 , ceramic regulator, with mounting block and covers	2-4 Oz(60-120 ml)
2312	UF-1, ceramic regulator, without mounting block and covers	1.5-3 Oz (44.4-88.4 mL)
561000158	UFB-1, ceramic regulator, without mounting block and covers	2-4 Oz (60-120 ml)
Push Button Valves		
2304	UF-1, ceramic regulator, with mounting block and covers	1.5-3 Oz (44.4-88.8 ml)
1966	UF-1, ceramic regulator, without mounting block and covers	1.5-3 Oz (44.4-88.8 ml)
561000162	UFB-1 , ceramic regulator, with mounting block and covers	2-4 Oz (60-120 ml)
561000161	UFB-1, ceramic regulator, without mounting block and covers	2-4 Oz (60-120 ml)
Optifill™ Automatic Shut-Off Valves		
2306	UF-1, ceramic regulator, with mounting block and covers	1.5-3 Oz (44.4-88.8 ml)
561000165	UFB-1, ceramic regulator, with mounting block and covers	2-4 Oz (60-120 ml)
561000164	UFB-1, ceramic regulator, without mounting block and covers	2-4 Oz (60-120 ml)
Sanitary Lever Valves		
561000121	UF-1 , ceramic regulator, with mounting block and covers	1.5-3 Oz (44.4 -88.8 ml)
561000120	UF-1, ceramic regulator, without mounting block and covers	1.5-3 Oz (44.4 -88.8 ml)
561000156	UFB-1, ceramic regulator, with mounting block and covers	2-4 Oz (60-120 ml)
561000155	UFB-1, ceramic regulator, without mounting block and covers	2-4 Oz (60-120 ml)



Part Numbers	Description	Flow Rate (Oz/Sec)
Juice Valves		
561000126	Sanitary lever with mounting block and covers	1.5-3 Oz (44.4-88.8 ml)
561000124	Sanitary lever without mounting block and covers	
561000102	Push button activation without mounting block and covers	
Hi Ratio Diet Syrup Valves		
740001213	UFB-1 Sanitary lever, high ratio diet complete valve with back block and covers	2-4 Oz (60-120 ml)
740001214	UFB-1 Push button, high ratio diet complete valve with back block and covers	
740001215	UFB-1 Portion Control, high ratio diet complete valve with back block and covers	
740001216	UFB-1 Optifill, high ratio diet complete valve with back block and covers	
620055292	UFB-1 Optifill, high ratio diet valve without back block and covers	
Illuminated Valves		
629097801	Conversion kit, Patented illuminated sanitary lever	N.A
620070513	UFB-1, Illuminated Sanitary lever valve with back block and covers	2-4 Oz (60-120 ml)
620070515	UF-1, Illuminated Sanitary lever valve with back block and covers	1.5-3 Oz (44.4-88.8 ml)

UF-1 AND UFB-1 VALVE ASSEMBLY

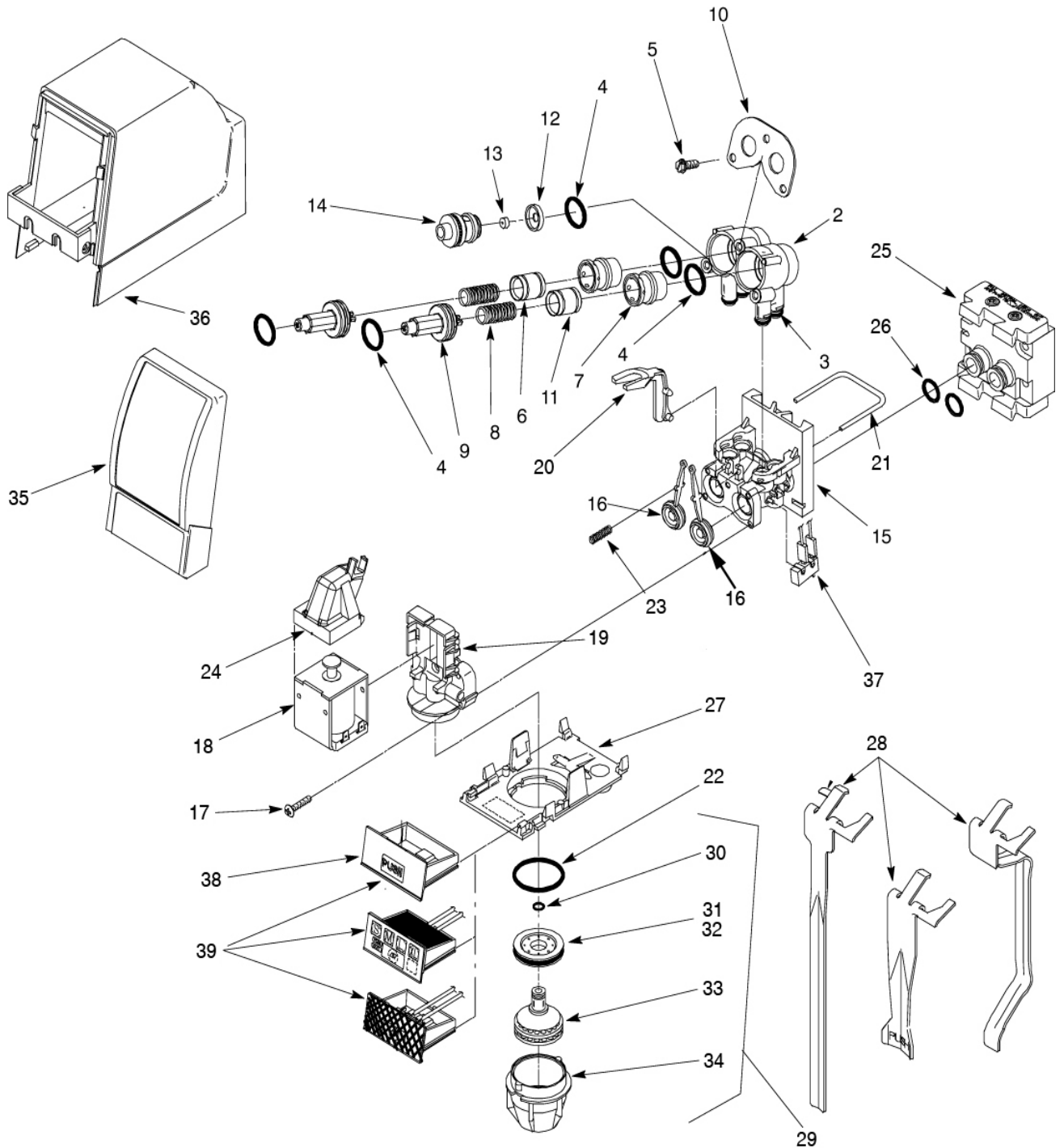


Figure 2.



Item No.	Part No.	Description
1	1954	Flow Control Assy 1.5-3oz/sec. (Includes 2--11)
	560006408	Flow Control Assy 2-4oz/sec. (Includes 2--11)
	1957	Flow Control Assy Washer 1.5oz/sec. (Includes 2--14)
	560001800	Base Assy 1.5-3oz/sec. (Includes 2--25)
	560001801	Base Assy 3-4.5oz/sec. (Includes 2--25)
	560001802	Base Assy Optifill™ 1.5-3oz/sec. (Includes 2--25)
	560001803	Base Assy Optifill™ 3-4.5oz/sec. (Includes 2--25)
	560001804	Base Assy Washer 3-4.5oz/sec. (Includes 2--25)
	560006875	Base Assy 2 4oz/sec (Includes 2-sec. 2--25)
	560006876	Base Assy Optifill™ 2-4oz/sec. (Includes 2--25)
2	1907	Body Flow Control 1.5-3oz/sec. Black
	560006177	Body Flow Control 2-4oz/sec. Blue
	740000262	Body Flow Control Low Flow Hi--Carb Gray
	740000796	Body Flow Control High Yield Diet
3	740001852	O-RING 239ID 077CS 70DU E16
4	317816000	O-Ring .676 I.D.
5	560001108	Screw TT 8-16 OVPH 26
6	310754011	Piston Water Reg 1.5-3oz/sec.
	560006006	Piston Water Reg 2-4oz/sec.
7	1934	Cylinder Flow Control
	4386	Cylinder Juice Flow Control
8	1940	Spring Flow Control
	560006176	Spring Flow Control 2-4oz/sec.
9	560007207	Scw Adj Flow Assy
10	1929	Retainer Body Flow Control
11	310480011	Piston Syr Reg 1.5-3oz/sec
	560006005	Piston Syr Reg 2-4oz/sec.
	2635	Piston Syr Reg Crmic Conv
12	319546011	Cap Housing Flow Washer.
13	311194000	Flow Washer 1.5oz/sec.

Item No.	Part No.	Description
14	1949	Housing Flow Washer.
15	1900	Body Valve
16	1947	Valve Banjo (Black)
17	2318	Screw TT 6-19 PAPH 24
18	1918-01	Solenoid Pull AC
	2168	Plunger Solenoid AC
19	1901	Head Valve Black
	1902	Head Valve OptiFill™ Black
	740000261	Head Valve Low Flow Hi--Carb Gray
20	1911	Actuator Arm
21	1930	Retainer
22	183184000	O-Ring 1.174 I.D.
23	1931	Spring Return Val
24	560003083	Cover Solenoid
25	1919	Block Mtg Assy
26	312414000	O-Ring .426 I.D.
27	1903	Plate Bottom
28	4965	Lever Valve
	560003252	Lever Valve OptiFill™
	560003193	Lever Valve Self Serve
29	1922	Nozzle Assy Black (Includes 30-34)
	560001734	Nozzle Assy Juice (Includes 30-34)
30	740001852	O-RING 239ID 077CS 70DU E16
31	1913	Diffuser
32	311086000	O-Ring .926 I.D.
33	1917	Baffle Inner Assy Black
	560001733	Baffle Inner Assy Juice
34	1945	Nozzle Black
35	1956	Cover Val Fnt
	1951	Cover Val Fnt w/Cutout
36	1950	Cover Val Back
37	4263	Switch and Lead Assy
	560002596	Swt Micro-B
	1923	Switch and Harn Self Serve
	1927	Housing
38	1943	Overlay Swt Push
39	2325	Module Assy Self Serve
	3518	Portion Control Module
	4391	Module Assy OptiFill™

ILLUMINATED VALVE COVER

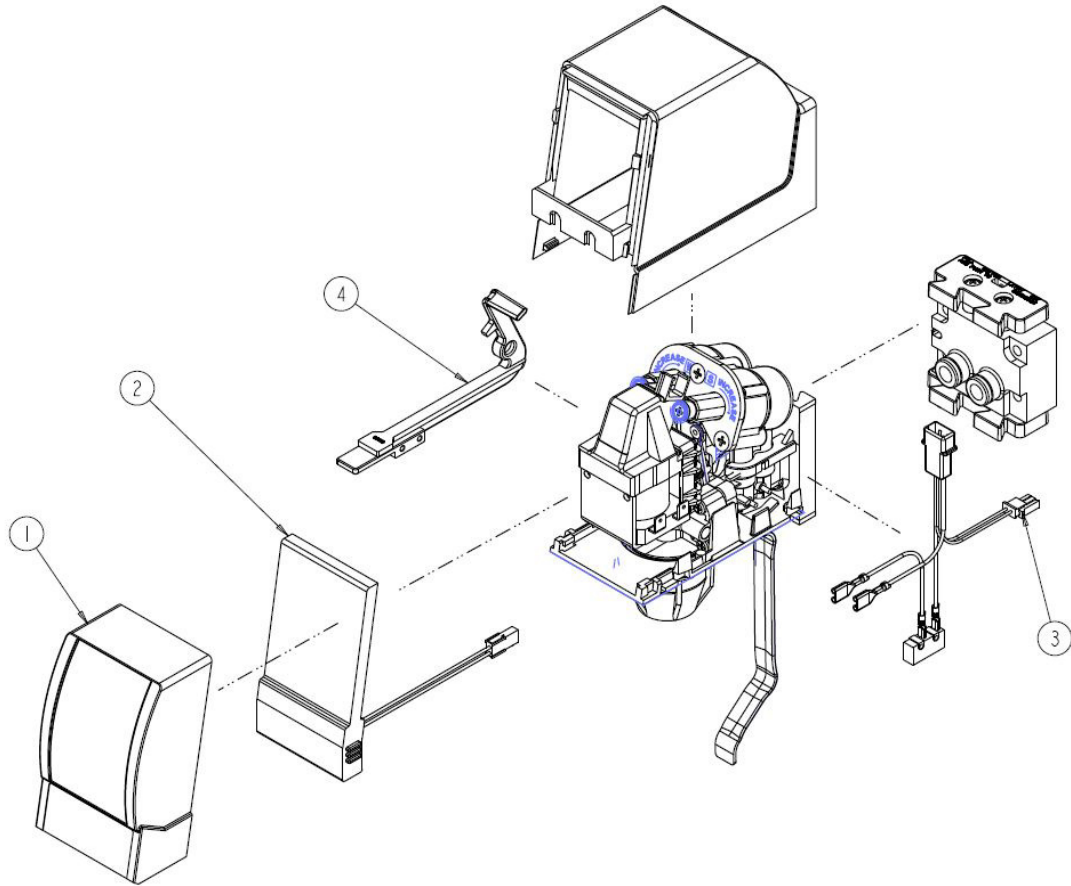


Figure 3.

Item No.	Part No.	Description
1	620065122-001	Cover Valve UF1/UFB Illuminated Front
2	620065120	LED Light Module
3	620065009	Harness Assembly Illuminated Valve w/o Switch
4	859000142	UF1 Water Lever with Extension

NOTE: The above items are contained in the following conversion KIT

KIT Part No.	Description
629097801	Kit CONV Illuminated UF1/UFB

UF-1 AND UFB-1 POST-MIX DISPENSING VALVE

ACCESSORIES/KITS



Figure 4.

Part No.	Description
311100000	Brix Cup 5-5.5 to 1 Ratio
3297	Water Lever Kit
319540000	Separator Syrup S/Tube, UF-1 And UFB-1

Marmon Foodservice Technologies Inc.
www.marmonfoodservice.com
www.cornelius.com