

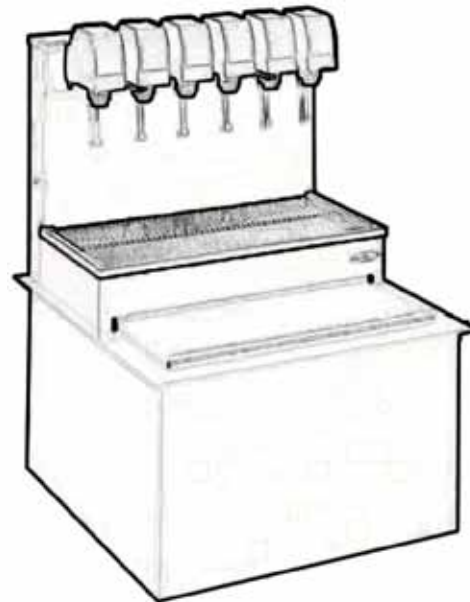


Gulf Ice Systems

Cornelius

CB1522 / CB2323 / CB3023 PARTS MANUAL

Published 04/13/2026



Drop-In Ice Cooled Dispensers

This parts manual was compiled and restructured to provide a comprehensive resource as there is a limited number of manuals available for these models. As such, it will be revised as needed.

PARTS@gulficesystems.com
SALES@gulficesystems.com
SERVICE@gulficesystems.com

gulficesystems.com

Gulf Ice Systems, Inc.
7790 Sears Blvd.
Pensacola, FL 32514

Phone: (850) 474-1784





Gulf Ice Systems



Drop-In Beverage Dispenser Equipment Reference List

CB1522-06 60#	CB1522-06 75#	CB2323-06 80#
ITEM # 631100045	ITEM # 631100046	ITEM # 631100049
CB1522 06 UFBSL Drop-In 60# Bin UFB SL Valves: 6 Ice Bin Capacity: 60 lbs Counter Cutout: 15.25" x 23.25" 15" W x 23" D x 33" H	CB1522 06 UFBSL Drop-In 75# Bin UFB SL Valves: 6 Ice Bin Capacity: 75 lbs Counter Cutout: 15.25" x 23.25" 15" W x 23" D x 39" H	CB1522 06 UFBSL Drop-In 80# Bin UFB SL Valves: 6 Ice Bin Capacity: 80 lbs Counter Cutout: 23.25" x 23.25" 23" W x 23" D x 33" H
CB2323-08 80#	CB2323-08 100#	<ul style="list-style-type: none"> • 9.75" Cup Clearance. • Without Merchandiser. • Foamed polyurethane insulation. • All stainless steel construction. • Wide drip tray. • Generic = Non-Intellicarb. • Voltage: 115/60/1.
ITEM # 631100055	ITEM # 631100057	
CB2323 08 UFBSL Drop-In 80# Bin UFB SL Valves: 8 Ice Bin Capacity: 80 lbs Counter Cutout: 23.25" x 23.25" 23" W x 23" D x 33" H	CB2323 08 UFBSL Drop-In 100# Bin UFB SL Valves: 8 Ice Bin Capacity: 100 lbs Counter Cutout: 23.25" x 23.25" 23" W x 23" D x 37" H	

CB1522-06 60#	CB1722-06 85#	CB2323-06 100#
ITEM # 631100207	ITEM # 621063046	ITEM # 631100194
CB1522 06 SFVSL Drop-In 60# Bin SFV SL Valves: 6 Ice Bin Capacity: 60 lbs Counter Cutout: 15.25" x 23.25" 15" W x 23" D x 33" H	CB1722 06 SFVSL Drop-In 85# Bin SFV SL Valves: 6 Ice Bin Capacity: 85 lbs Counter Cutout: 22.25" x 16.25" 22" W x 16" D x 38" H	CB2323 06 SFVSL Drop-In 100# Bin SFV SL Valves: 6 Ice Bin Capacity: 100 lbs Counter Cutout: 23.25" x 23.25" 23" W x 23" D x 37" H
CB2323-08 100#	CB3023-10 130#	<ul style="list-style-type: none"> • 9.75" Cup Clearance. • Without Merchandiser. • Foamed polyurethane insulation. • All stainless steel construction. • Wide drip tray. • Voltage: 115/60/1.
ITEM # 631100203	ITEM # 741200086	
CB2323 08 SFVSL Drop-In 100# Bin SFV SL Valves: 8 Ice Bin Capacity: 100 lbs Counter Cutout: 23.25" x 23.25" 23" W x 23" D x 37" H	CB3023 10 SFVSL Drop-In 130# Bin SFV SL Valves: 10 Ice Bin Capacity: 130 lbs Counter Cutout: 30.25" x 23.25" 30" W x 23" D x 42.25" H	

SERVICE@gulficesystems.com
 WARRANTY@gulficesystems.com
 SALES@gulficesystems.com



800-322-4853

Drop-In Beverage Dispenser Equipment Reference List

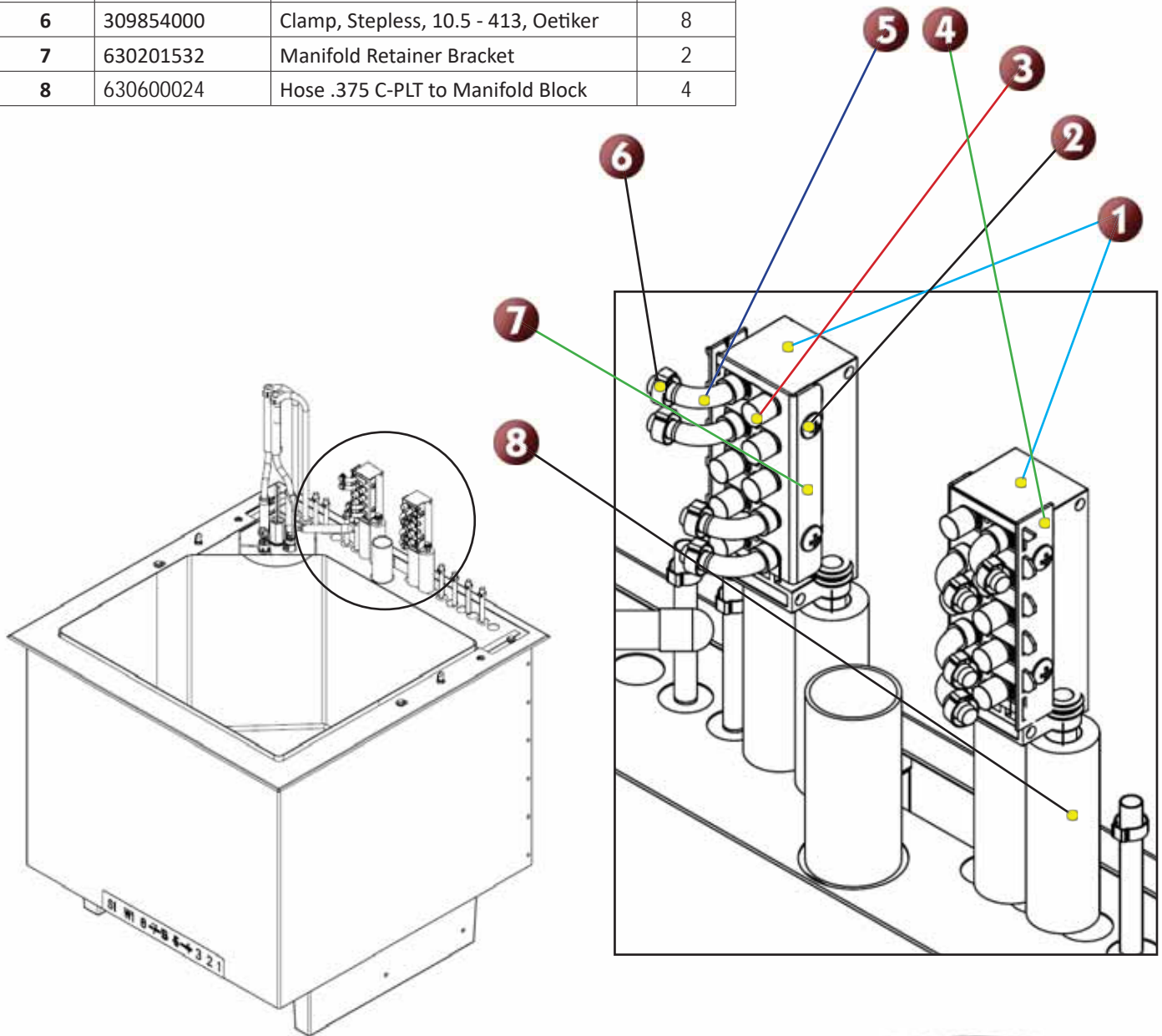
CB1522IC-06 75#	CB2323IC-08 80#	CB2323IC-08 100#
ITEM # 631100116WOM	ITEM # 631100073WOM	ITEM # 631100092WOM
CB1522 06 UFBSL Drop-In 75# Bin UFB SL Valves: 6 Ice Bin Capacity: 75 lbs Counter Cutout: 15.25" x 23.25" 15" W x 23" D x 39" H	CB2323 08 UFBSL Drop-In 80# Bin UFB SL Valves: 8 Ice Bin Capacity: 80 lbs Counter Cutout: 23.25" x 23.25" 23" W x 23" D x 37" H	CB2323 08 UFBSL Drop-In 100# Bin UFB SL Valves: 8 Ice Bin Capacity: 100 lbs Counter Cutout: 23.25" x 23.25" 23" W x 23" D x 37" H
CB2323IC-08 100#	<ul style="list-style-type: none"> • 9.75" Cup Clearance. • Without Merchandiser. • Foamed polyurethane insulation. • All stainless steel construction. • Wide drip tray. • WOM = Without Merchandiser. • Intellicarb. • Voltage: 115/60/1. 	
ITEM # 631100093WOM CB2323 08 UFBOP Drop-In 100# Bin UFB Optifill Val: 8 Ice Bin Capacity: 100 lbs Counter Cutout: 23.25" x 23.25" 23" W x 23" D x 37" H		



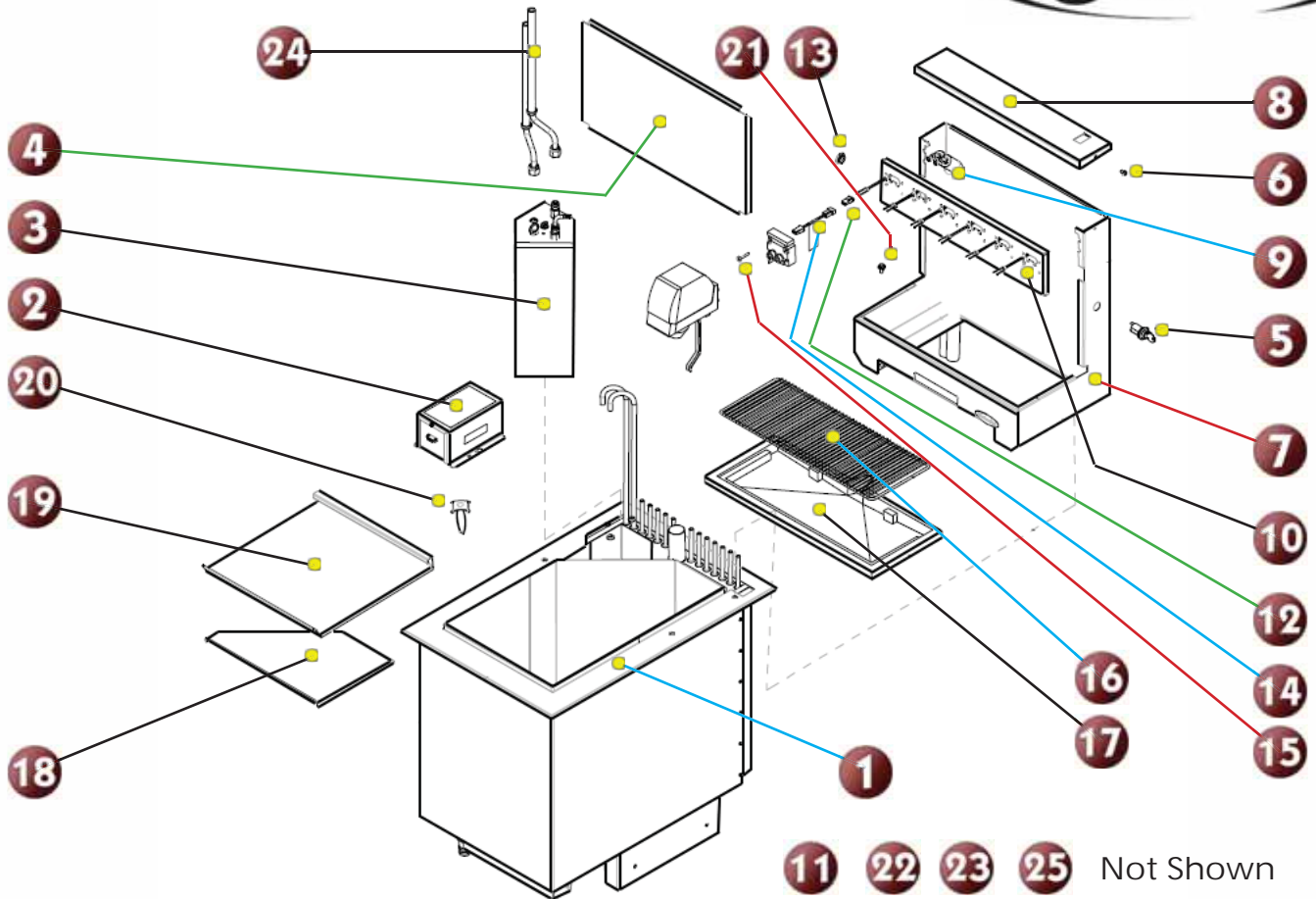
SERVICE@gulficesystems.com
 WARRANTY@gulficesystems.com
 SALES@gulficesystems.com

CB1522, CB2323, CB3023 Manifold Parts Breakdown

LOC. #	OEM Part #	Description	QTY
1	620407728	Manifold, Flex 5 Position	2
2	70204	Screw SM 08 TA TRPH 16 SS (# 70204)	10
3	620519005	Manifold Plug	12
4	630201533	Manifold Block Bracket	2
5	77051500	Fitting, Dole Valve Elbow, 102 Degree	8
6	309854000	Clamp, Stepless, 10.5 - 413, Oetiker	8
7	630201532	Manifold Retainer Bracket	2
8	630600024	Hose .375 C-PLT to Manifold Block	4



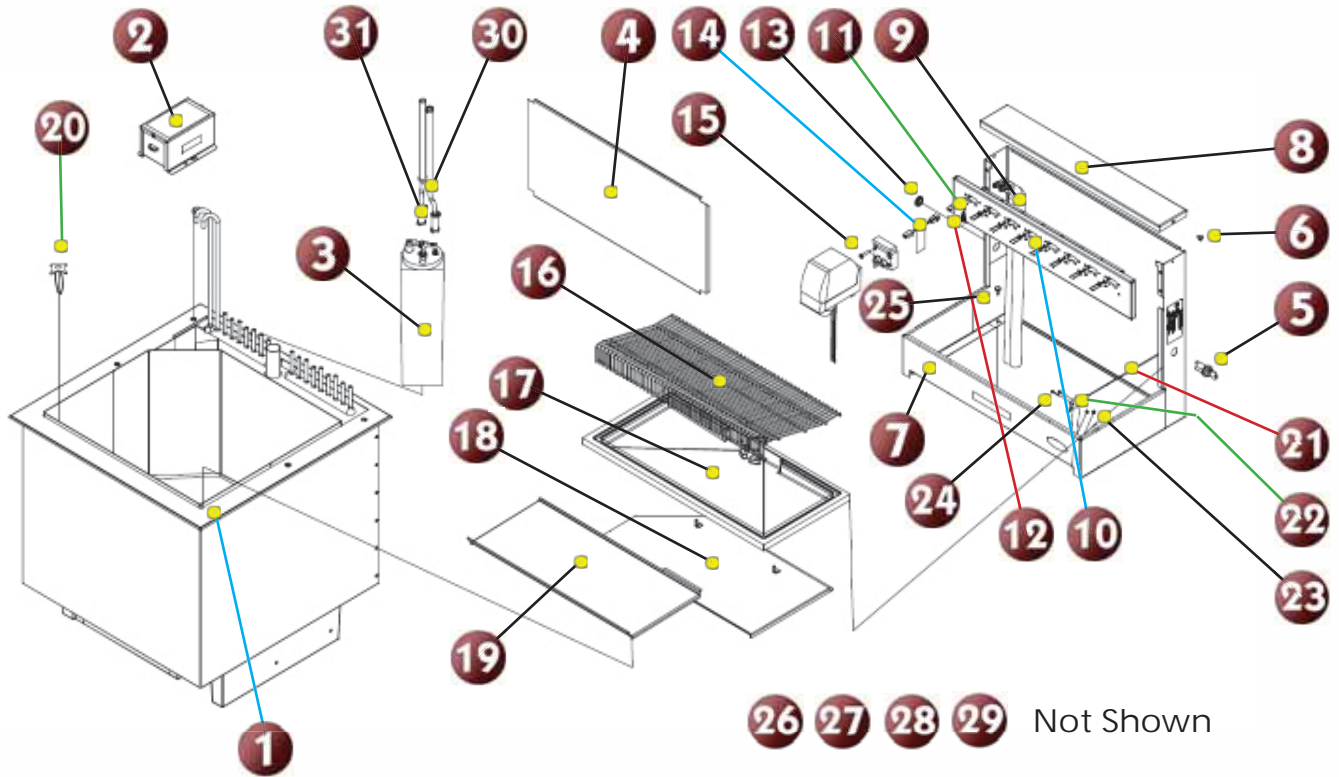
CB1522 Intellicarb Stainless Tower 75lb with 12 x 4 Carbonator



LOC. #	OEM Part #	Description
1	630201449	Frame, Decorative, Bolt-down, CB1522
2	630000601	Transformer 115/24 RMT 75 VA
3	630001125	Tank, Carbonator, Foam Assy, 12 X 4
4	167491001	Splashguard Panel, Sabre Twr, 18.31"
5	163545001	Key-Lock Switch w/ 2 keys
6	161168014	Screw, Machine 10-32 012 Tr Ph SS
7	630000794	Tower, SS, Bolt-down W/A 18" CB1522
8	167244008	Top Tower Cover, SS, 18.5" X 3.5"
9	162968004	Hose .265 16" (Invalid or NLA)
10	630201568	Valve Panel, 6, 18" SS Tower
11	630300344	Wire Harness, for 1522-6 or 2323-6
12	163518000	2-Circuit Connector
13	168462002	Button Plug, 1/2" Hole STNI SWC

LOC. #	OEM Part #	Description
14	630300373	Wire Harness Jumper (Optifill ONLY)
15	318308000	Screw TR 10-32 PAPH 32 SS HRD
16	630200858	Cup Rest, CB1522 (Optifill ONLY)
	167787000	Cup Rest, Standard, CB1522
17	630900910	Drip Tray, 18", for CB1522IC
18	630001101	Sanitary Plate, for CB1522IC 75#
19	630001100	Sliding Lid, for CB1522IC
20	162865010	Corner Drain Strainer W/A
21	168745001	Bolt, Machine, 1/4-20 Hex 16 STZI
22	630300341	Wire Harness, Power Sup. to Tower
23	629087457	Pump & Motor Assy, Intellicarb
24	630000952	Hose, carb to C-PLT (Invalid or NLA)
25	630201516	Sliding Top Lid, CB1522

CB2323 Intellicarb Stainless Tower 100lb with 12 x 4 Carbonator

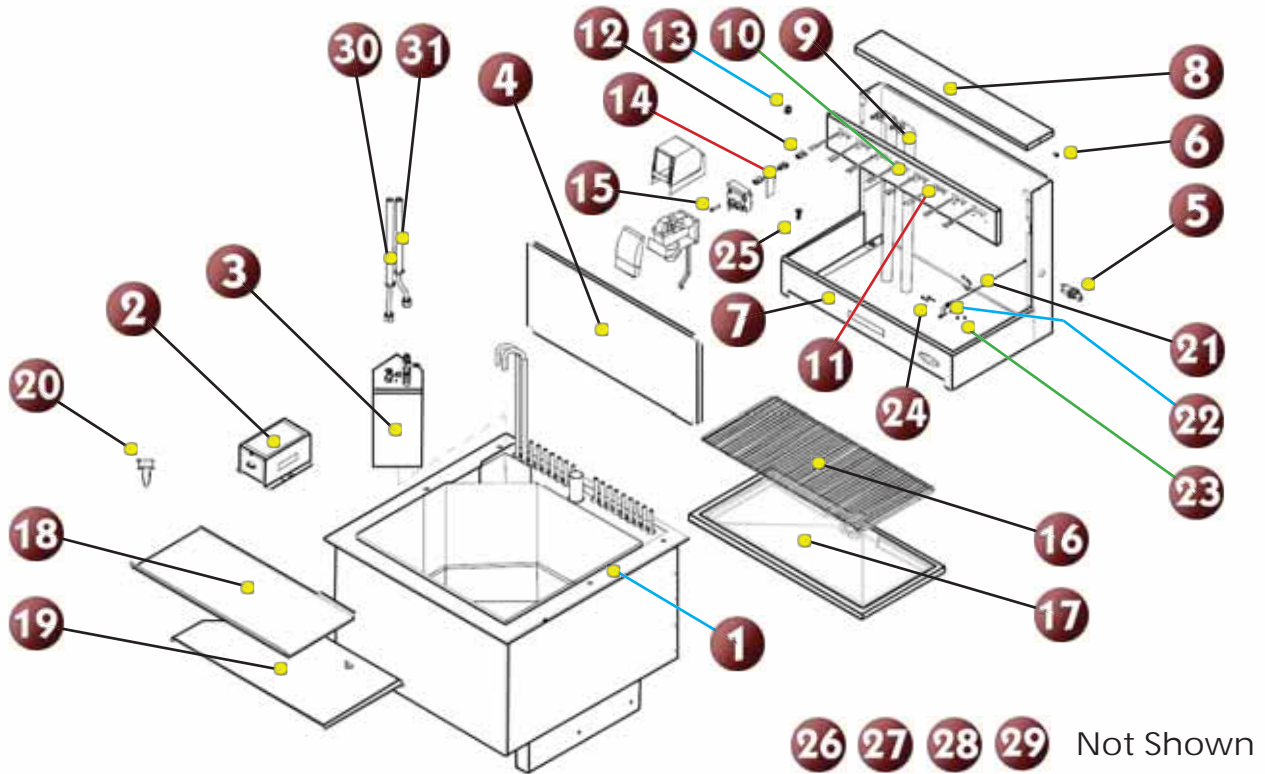


26 27 28 29 Not Shown

LOC. #	OEM Part #	Description
1	630201423	Frame, Decorative (RIM), CB2323
2	630000601	Transformer 115/24 RMT 75 VA
3	630001125	Tank, Carborator, Foam Assy, 12 X 4
4	167491003	Splash Panel, 23"
5	163545001	Key-Lock Switch w/ 2 keys
6	161168014	Screw, Machine 10-32 012 Tr Ph SS
7	630000631	Tower, SS, W/A CB2323
8	167244007	Top Tower Cover, SS, CB2323
9	630000936	Hose, .265 ID
10	630201561	Valve Panel, 6-Flavor
	630201551	Valve Panel, 8-Flavor
11	630300344	Wire Harness, 6-Flavor
	630300345	Wire Harness, 8-Flavor
12	163518000	2-Circuit Connector
13	168462000	Button Plug, 3/4" Hole STNI
14	630300373	Wire Harness Jumper (Optifill ONLY)
15	318308000	Screw TR 10-32 PAPH 32 SS HRD

LOC. #	OEM Part #	Description
16	630900042	Cup Rest, CB2323 (Optifill ONLY)
	167787002	Cup Rest, Standard, CB2323
17	630150005	Drip Tray, CB2323
18	630001129	Sanitary Plate, CB2323
19	630200832	Sliding Lid, CB2323
20	162865010	Corner Drain Strainer W/A
21	630300357	Lead Wire, Black
22	167570001	Valve Lockout Switch
23	21633	Hex Nut, No. 4-40
24	21632	Screw, Machine 04-40 Rd 24 STZI
25	168745001	Screw, Machine 1/4-20 X 1/2" Long
26	630300341	Wire Harness, Power Sup. to Tower
27	41710	Fitting, 3/4-MPT X 3/4-Barb
28	161508006	Fitting, 3/4-FPT X 3/4-Barb
29	629087457	Pump & Motor Assy, Intellicarb
30	630000951	Hose Assy, Carb to C-PLT
31	630000952	Hose, carb to C-PLT (Invalid or NLA)

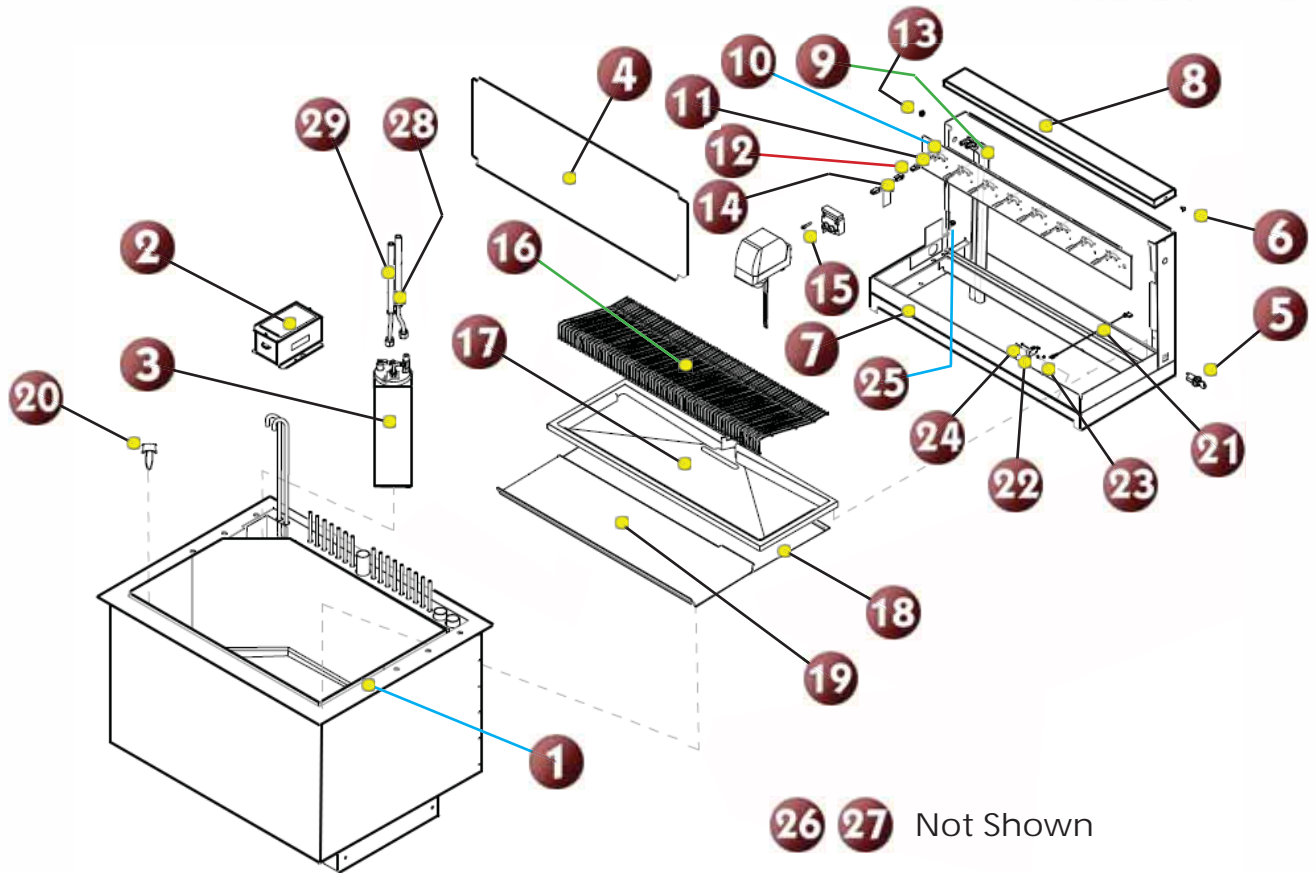
CB2323 Intellicarb Stainless Tower 80lb with 8 x 4 Carbonator



LOC. #	OEM Part #	Description
1	630201423	Frame, Decorative (RIM), CB2323
2	630000601	Transformer 115/24 RMT 75 VA
3	630001124	Tank, Carborator, Foam Assy, 8 X 4
4	167491003	Splash Panel, 23"
5	163545001	Key-Lock Switch w/ 2 keys
6	161168014	Screw, Machine 10-32 012 Tr Ph SS
7	630000631	Tower, SS, W/A CB2323
8	167244007	Top Tower Cover, SS, CB2323
9	630000936	Hose, .265 ID
10	630201561	Valve Panel, 6-Flavor
	630201551	Valve Panel, 8-Flavor
11	630300344	Wire Harness, 6-Flavor
	630300345	Wire Harness, 8-Flavor
12	163518000	2-Circuit Connector
13	168462000	Button Plug, 3/4" Hole STNI
14	630300373	Wire Harness Jumper (Optifill ONLY)
15	318308000	Screw TR 10-32 PAPH 32 SS HRD

LOC. #	OEM Part #	Description
16	630900042	Cup Rest, CB2323 (Optifill ONLY)
	167787002	Cup Rest, Standard, CB2323
17	630150005	Drip Tray, CB2323
18	630001129	Sanitary Plate, CB2323
19	630200832	Sliding Lid, CB2323
20	162865010	Corner Drain Strainer W/A
21	630300357	Lead Wire, Black
22	167570001	Valve Lockout Switch
23	21633	Hex Nut, No. 4-40
24	21632	Screw, Machine 04-40 Rd 24 STZI
25	168745001	Screw, Machine 1/4-20 X 1/2" Long
26	630300341	Wire Harness, Power Sup. to Tower
27	41710	Fitting, 3/4-MPT X 3/4-Barb
28	161508006	Fitting, 3/4-FPT X 3/4-Barb
29	629087457	Pump & Motor Assy, Intellicarb
30	630000952	Hose, carb to C-PLT (Invalid or NLA)
31	630000951	Hose Assy, Carb to C-PLT

CB3023 Intellicarb Stainless Tower 130lb with 12 x 4 Carbonator



26 27 Not Shown

LOC. #	OEM Part #	Description
1	630201420	Frame, Decorative, Bolt-down CB3023
2	630000601	Transformer 115/24 RMT 75 VA
3	630001125	Tank, Carborator, Foam Assy, 8 X 4
4	167491009	Splashguard Panel, 30" SST
5	163545001	Key-Lock Switch w/ 2 keys
6	161168014	Screw, Machine 10-32 012 Tr Ph SS
7	630000993	Tower, SS, W/A CB3023
8	167244011	Top Tower Cover, SS, CB3023
9	630000936	Hose, .265 ID
10	630001123	Valve Panel (Invalid or NLA)
11	630300345	Wire Harness, 8-Flavor
12	163518000	2-Circuit Connector
13	168462002	Button Plug, 1/2" Hole STNI SWC
14	630300373	Wire Harness Jumper (Optifill ONLY)
15	318308000	Screw TR 10-32 PAPH 32 SS HRD

LOC. #	OEM Part #	Description
16	167787013	Cup Rest, CB3023 (Optifill ONLY)
	167787007	Cup Rest, Standard, CB3023
17	167481019	Drip Tray, Black, CB3023
18	630001129	Sanitary Plate, CB3023IC
19	630200933	Sliding Lid, CB3023IC
20	162865010	Corner Drain Strainer W/A
21	630300357	Lead Wire, Black, 22"
22	167570001	Valve Lockout Switch
23	21633	Hex Nut, No. 4-40
24	21632	Screw, Machine 04-40 Rd 24 STZI
25	168745001	Screw, Machine 1/4-20 X 1/2" Long
26	630300341	Wire Harness, Power Sup. to Tower
27	629087457	Pump & Motor Assy, Intellicarb
28	630001001	Hose, Carb to C-PLT (Invalid or NLA)
29	630001006	Hose Insulation (Invalid or NLA)

Parts Index

21632 2323 / 3023	21633 2323 / 3023	41710 2323	70204 1522 / 2323 / 3023	77051500 1522 / 2323 / 3023	161168014 1522 / 2323 / 3023	161508006 2323	162865010 1522 / 2323 / 3023
162968004 1522	163518000 1522 / 2323 / 3023	163545001 1522 / 2323 / 3023	167244007 2323	167244008 1522	167244011 3023	167481019 3023	167491001 1522
167491003 2323	167491009 3023	167570001 2323 / 3023	167787000 1522	167787002 2323	167787007 3023	167787013 3023	168462000 2323
168462002 1522 / 3023	168745001 1522 / 2323 / 3023	309854000 1522 / 2323 / 3023	318308000 1522 / 2323 / 3023	620407728 1522 / 2323 / 3023	620519005 1522 / 2323 / 3023	629087457 1522 / 2323 / 3023	630000601 1522 / 2323 / 3023
630000631 2323	630000658 3023	630000794 1522	630000936 2323 / 3023	630000951 2323	630000952 1522 / 2323	630000993 1522 / 2323	630001001 3023
630001006 3023	630001100 1522	630001101 1522	630001123 3023	630001124 2323	630001125 1522 / 2323 / 3023	630001129 2323	630150005 2323

Note: OEM Part Numbers in **RED** are items identified in the parts manual. However, they no longer show as active and available. They have either been replaced or are no longer available for purchase. Presently, their status is unknown. They are represented in this manual as a reference point.

Parts Index

630200832 2323	630200858 1522	630200933 3023	630201420 3023	630201423 2323	630201449 1522	630201516 1522	630201532 1522 / 2323 / 3023
630201533 1522 / 2323 / 3023	630201551 2323	630201561 2323	630201568 1522	630300341 1522 / 2323 / 3023	630300344 1522 / 2323	630300345 2323 / 3023	630300357 2323 / 3023
630300373 2323 / 3023	630600024 1522 / 2323 / 3023	630900042 2323	630900910 1522				

Variance Items (Specialty, Modified or Branded)

31525007 1522 / 2323 / 3023	150065000 1522 / 2323 / 3023	161809003 1522	162337002 2323	162865020 2323	163249002 2323	163413001 2323	163607001 2323-08
164083004 1522 / 2323	166111002 2323-06	166111023 2323-08	166114002 2323	167244005 2323	167244006 1522	167244009 2323-08	167244010 2323-08
167244019 2323	167436000 2323	167467072 1522 / 2323 / 3023	167473006 2323-08	167491004 2323	167491006 2323	167491008 2323	167491010 1522

Variance Items (Specialty, Modified or Branded)

167491011 3023	167491012 3023	167491013 3023	167491014 1522	167570002 2323-08	167583000 1522 / 2323	167598000 1722	167787004 2323
167787014 1722SST	167808003 2323	167809001 2323	167809003 2323	167810001 2323	167810003 2323	167810004 1522	167810005 3023
167810006 2323	167810007 1522	167813004 2323	167872000 1522ET	167874000 1522	167888000 2323	167954000 1522	167966001 1522
167966003 2323	168463000 2323	620314404 1522 / 2323 / 3023	630000596 1522 / 2323	630001202 2323	630001216 1522	630150006 2323	630150008 2323
630150009 1522	630201115 2323	630201218 1522	630201222 1522-05	630201430 2323	630201460 1522	630201473 1722ET	630201517 1522
630201607 2323	630201617 1522	630201620 1722	630201656 2323	630201740 2323-10	630201741 2323	630300353 1522	630400102 2323

Variance Items (Specialty, Modified or Branded)

							
630900256 2323	630900259 1722	630900317 2323	630900553 1522 / 2323	630900753 1522 / 2323	630901124 2323	630901379 2323	630901403 1522 / 2323 / 3023
							
630901446 2323	630901575 1522 / 2323 / 3023	630901600 2323-08	630901601 2323-08	631500198 2323	631500199 2323	631500289 2323	740001027 1522
							
740002358 2323-06	740002359 2323-08	1611110006588 2323	1674910046424 2323	12-0179 2323 / 3023			

Note: Variance Part Numbers are items that **aren't** identified in any parts manual. However, they exist for specialized purposes or for specific customer configurations, such as equipment used in McDonalds, Subways, etc... For the most part, they are considered active and available. It's quite possible these items are not stocked by us, but we do have the means to acquire an item if it is needed as a replacement or repair. Additionally, they simply aren't listed in any resource material. We have added these products in this publication as a reference point for inquiries and such.

The parts index as defined, is not all inclusive of all parts used with drop-in beverage dispensers. This listing is based on numerous resources and some items may have been skipped either intentionally or unintentionally for one reason or another. There are very limited resource materials for the drop-in models and their related variants. As such, we compiled this parts manual based on the materials available at the time of this publication. As time progresses and more data is provided, this manual may be updated to reflect the changes or corrections as provided by the manufacturer. Overall, this is our attempt to provide a useful resource guide for anyone needing such a tool. The information presented is an interpretation. Any misinformation provided by this manual is unintentional.

Merchandisers and Related (Brand Specific)

161010001 2323-08	161098002 2323	161098005 2323	161098006 2323	161098007 1522	161098008 1522	161098019 2323	161098027 2323
166167010 2323	166167011 1522	166208001 2323	166208002 3023	166208004 2323	166208006 3023	166252001 2323	166252002 1522
631300004 2323	631300006 2323	1661670105273 2323					

