

Service Parts Manual
22" & 30" MODULAR CUBERS
Air & Water Cooled Units with R290 Refrigerant
300lbs to 1100lbs Nominal Daily Capacity

<u>22" MODELS</u>	<u>22" MODELS</u>	<u>30" MODELS</u>	<u>30" MODELS</u>	<u>30" MODELS</u>
CIM0320FA90	CIM0826FA90	CIM0330FA90	CIM0530FA90	CIM0836FA90
CIM0320HA90	CIM0826HA90	CIM0330HA90	CIM0530HA90	CIM0836HA90
CIM0320FW90	CIM0826FW90	CIM0330FW90	CIM0530FW90	CIM0836FW90
CIM0320HW90	CIM0826HW90	CIM0330HW90	CIM0530HW90	CIM0836HW90
			CIM0530HT90	CIM0836GA90
CIM0520FA90	CIM1126FA90	CIM0430FA90		
CIM0520HA90	CIM1126HA90	CIM0430HA90	CIM0636FA90	CIM1136FA90
CIM0520FW90	CIM1126FW90		CIM0636HA90	CIM1136HA90
CIM0520HW90	CIM1126HW90	CIM0436FA90	CIM0636FW90	CIM1136FW90
CIM0520HT90		CIM0436HA90	CIM0636HW90	CIM1136HW90

CIM0526FA90
 CIM0526HA90

Note: These newer refrigerant models are in a state of transition (new design and refrigerant type). As such, there are indications that newer models of the CIM0826A-W, CIM0836A-W, CIM1126A-W, CIM1136A-W may have had a refrigerant change from R290 to R449 (reference related R449 parts manuals). To verify the refrigerant type, review the model of the machine. If the model is designated with refrigerant classification ending in 90 (like the references above), then it's a R290 model and this parts manual should be used for proper parts identification. If it ends with a 49, it's a R449 refrigerant model.

TABLE OF CONTENTS

Model List 2

Model Nomenclature..... 2

Cabinet..... 3

Water System 6

Refrigeration System: Air Cooled..... 9

Refrigeration System: Water Cooled..... 13

Electrical System 17

KCUBEDISP Dispenser Kit..... 20

This manual doesn't include an illustrated parts list for the CIM0530xR49, CIM0636xR49, CIM0826xR49, CIM0836xR49, CIM1126xR49 and CIM1136xR49 that uses R449 refrigerant. There are separate parts manuals for these remote models.

IMPORTANT NOTE: Earlier **CIM0826A-W**, **CIM0836A-W**, **CIM1126A-W**, and **CIM1136A-W** models were originally engineered to use R290 refrigerant (reference related R290 parts manuals). Ice-O-Matic later updated these models to use R449 refrigerant.

As such, there are now two refrigerant versions requiring two different parts manuals due to the differences between the R290 and R449 refrigeration components.

To verify whether the unit is a R290 or R449 refrigerant model, simply identify the model referenced on the serial number tag on the machine. If it ends in 90, then it's the earlier R290 version (Example: CIM0826FA90). If it ends in 49, then it's the newer version using R449 refrigerant (Example: CIM0826FA49).

If neither is the case, it may be an older model that uses R404 refrigerant. For proper parts identification, you'll need to reference an earlier parts manual specific to that model. Always use the appropriate parts manual related to the model and refrigerant type of the unit in question.

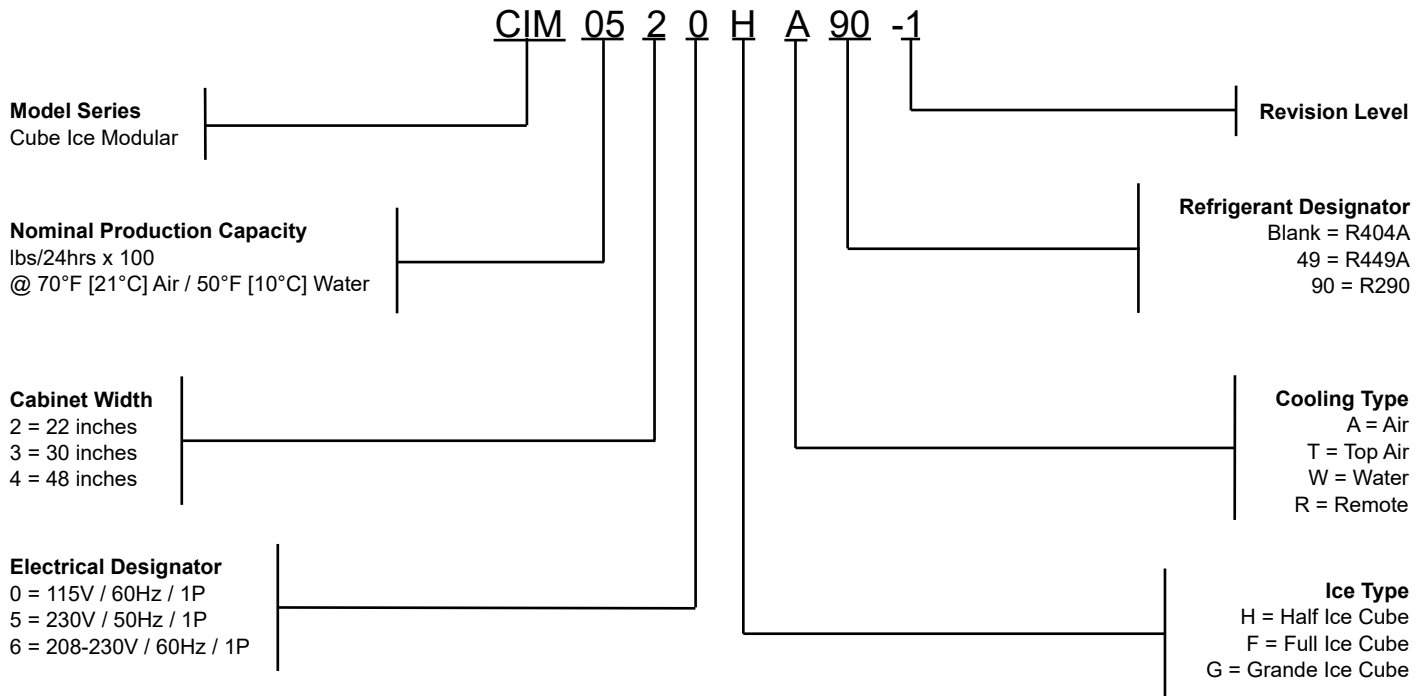
This information was provided by Gulf Ice Systems, Inc. (05/01/2026).

MODEL LIST

This parts list contains the service parts available for the following CIM ice makers.

Model	Model	Model
CIM03*0	CIM03*5	CIM03*6
CIM04*0	CIM04*5	CIM04*6
CIM05*0	CIM05*5	
	CIM06*5	CIM06*6
	CIM08*5	CIM08*6
	CIM11*5	CIM11*6

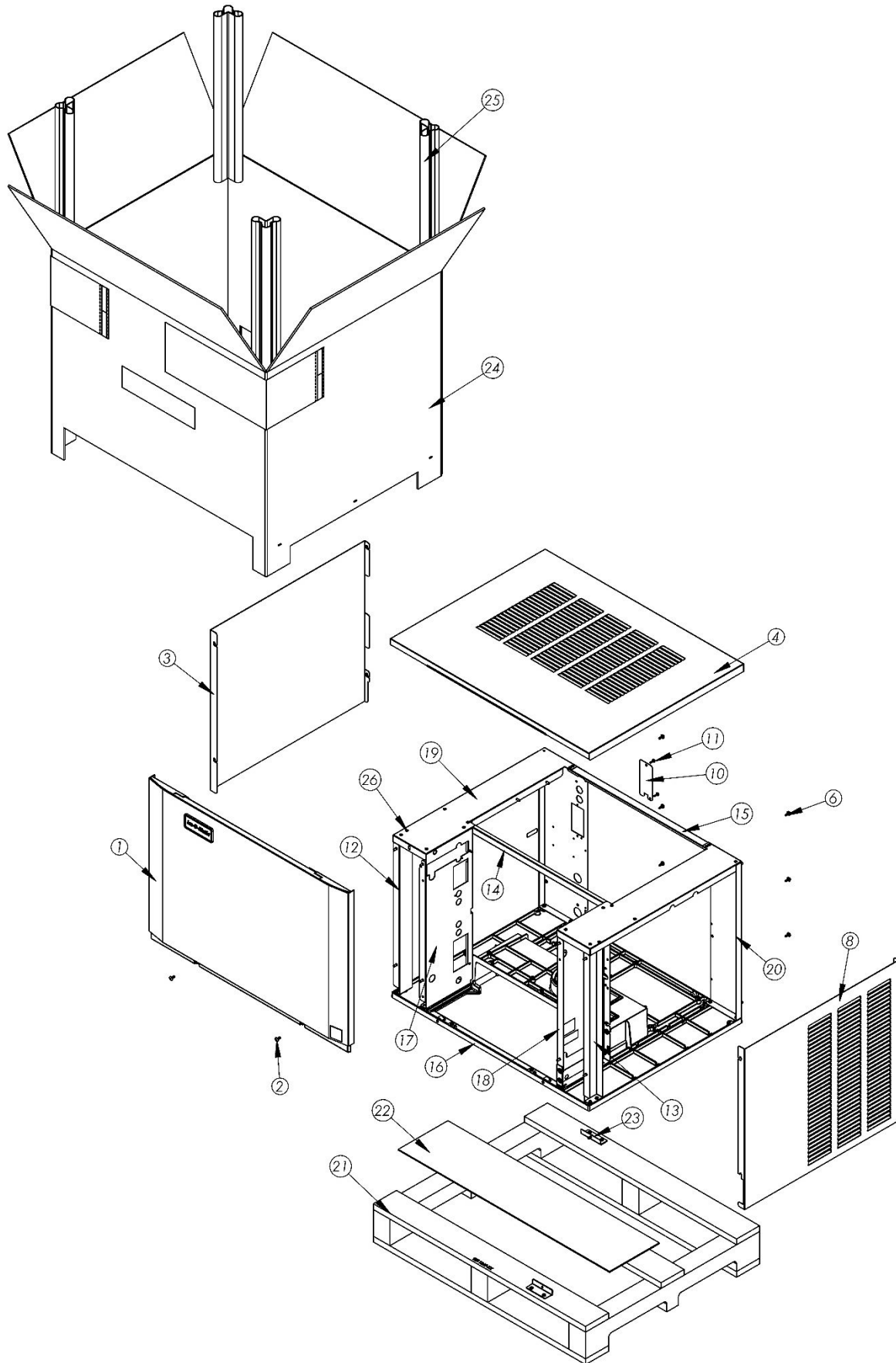
MODEL NOMENCLATURE



Check the model number on the data plate and refer to the correct listing for the specific component.

Check carefully that the correct part is identified and ordered.

Cabinet



Cabinet

Item No.	Model Family				Description
	22" Wide 300-600lbs		30" Wide 300-600lbs		
	CIM0*2*A	CIM0*2*W	CIM0*3*A	CIM0*3*W	
1	2031565-01S	2031565-01S	2031567-01S	2031567-01S	Front Panel
2	9031237-01P	9031237-01P	9031237-01P	9031237-01P	Front Panel Screw (2 pack)
3	3022007-02	3022007-02	3022007-02	3022007-02	Left Side Panel
4	3022012-07	3022012-01	3022012-08	3022012-03	Top Panel (Louvered on air models)
5					
6	9031046-01P	9031046-01P	9031046-01P	9031046-01P	Rear Cover/Condenser Screws (10 pack)
7					
8	3022007-08	3022007-03	3022007-08	3022007-03	Right Side Panel (Louvered on air models)
9					
10	3013674-01	3013674-01	3013674-01	3013674-01	Junction Box Cover
11	9031046-01P	9031046-01P	9031046-01P	9031046-01P	Junction Box Screw (10 pack)
12	-	-	2021786-01	2021786-01	Left Front Corner Post
13	-	-	2021786-02	2021786-02	Right Front Corner Post
14	3013637-01	3013637-01	3013637-02	3013637-02	Center Brace
15	3013636-01	3013636-01	3013636-01	3013636-01	Rear Brace
16	9051725-01	9051725-01	9051725-02	9051725-02	Base
17	2021784-01	2021784-01	2021784-01	2021784-01	Front Left Brace
18	2021785-01	2021785-01	2021785-01	2021785-01	Front Right Brace
19	3013691-01	3013691-01	2021780-01	2021780-01	Right Side (Top for 22") Framework Assembly
	2021782-01	2021782-01	-	-	Right Side (Lower for 22") Framework Assembly
20	2021810-01	2021810-01	2021781-01	2021781-01	Left Side (Top for 22") Framework Assembly
	2021783-01	2021783-01	-	-	Left Side (Lower for 22") Framework Assembly
21	9011369-03	9011369-03	9011369-02	9011369-02	Skid
22	9011378-02	9011378-02	9011378-01	9011378-01	Carton Liner
23	9051765-01	9051765-01	9051765-01	9051765-01	Shipping Bracket (2 required)
24	9011374-01	9011374-01	9011374-02	9011374-02	Carton
25	9011320-15	9011320-15	9011320-15	9011320-15	Corner Post (4 required)
26	9031026-04P	9031026-04P	9031026-04P	9031026-04P	Pop Rivets (10 pack)
	-	3013634-01	-	3013634-01	Water & Remote Back Panel (not shown)

22" MODELS

CIM0320FA90
 CIM0320HA90
 CIM0320FW90
 CIM0320HW90

CIM0520FA90
 CIM0520HA90
 CIM0520FW90
 CIM0520HW90
 CIM0520HT90

CIM0526FA90
 CIM0526HA90

30" MODELS

CIM0330FA90
 CIM0330HA90
 CIM0330FW90
 CIM0330HW90

CIM0430FA90
 CIM0430HA90
 CIM0436FA90
 CIM0436HA90

30" MODELS

CIM0530FA90
 CIM0530HA90
 CIM0530FW90
 CIM0530HW90
 CIM0530HT90

CIM0636FA90
 CIM0636HA90
 CIM0636FW90
 CIM0636HW90

Cabinet

Item No.	Model Family				Description
	22" Wide 800-1100lbs		30" Wide 800-1100lbs		
	CIM0*2*A	CIM0*2*W	CIM0*3*A	CIM0*3*W	
1	2031566-01S	2031566-01S	2031567-01S	2031567-01S	Front Panel
2	9031237-01P	9031237-01P	9031237-01P	9031237-01P	Front Panel Screw (2 pack)
3	3022007-05	3022007-05	3022007-05	3022007-05	Left Side Panel
4	3022012-07	3022012-01	3022012-08	3022012-03	Top Panel (Louvered on air models)
5					
6	9031046-01P	9031046-01P	9031046-01P	9031046-01P	Rear Cover/Condenser Screws (10 pack)
7					
8	3022007-04	3022007-06	3022007-04	3022007-06	Right Side Panel (Louvered on air models)
9					
10	3013674-01	3013674-01	3013674-01	3013674-01	Junction Box Cover
11	9031046-01P	9031046-01P	9031046-01P	9031046-01P	Junction Box Screw (10 pack)
12	-	-	2021801-01	2021801-01	Left Front Corner Post
13	-	-	2021801-02	2021801-02	Right Front Corner Post
14	3013637-01	3013637-01	3013637-02	3013637-02	Center Brace
15	3013636-01	3013636-01	3013636-01	3013636-01	Rear Brace
16	9051725-01	9051725-01	9051725-02	9051725-02	Base
17	2021800-01	2021800-01	2021800-01	2021800-01	Front Left Brace
18	2021800-02	2021800-02	2021800-02	2021800-02	Front Right Brace
19	3013691-01	3013691-01	2021798-01	2021798-01	Right Side (Top for 22") Framework Assembly
	2021808-01	2021808-01	-	-	Right Side (Lower for 22") Framework Assembly
20	2021810-01	2021810-01	2021799-01	2021799-01	Left Side (Top for 22") Framework Assembly
	2021803-01	2021803-01	-	-	Left Side (Lower for 22") Framework Assembly
21	9011369-03	9011369-03	9011369-02	9011369-02	Skid
22	9011378-02	9011378-02	9011378-01	9011378-01	Carton Liner
23	9051765-01	9051765-01	9051765-01	9051765-01	Shipping Bracket (2 required)
24	9011374-04	9011374-04	9011374-05	9011374-05	Carton
25	9011320-06	9011320-06	9011320-06	9011320-06	Corner Post (4 required)
26	9031026-04P	9031026-04P	9031026-04P	9031026-04P	Pop Rivets (10 pack)
	-	3013634-04	-	3013634-04	Water & Remote Back Panel (not shown)

22" MODELS

CIM0826FA90
 CIM0826HA90
 CIM0826FW90
 CIM0826HW90

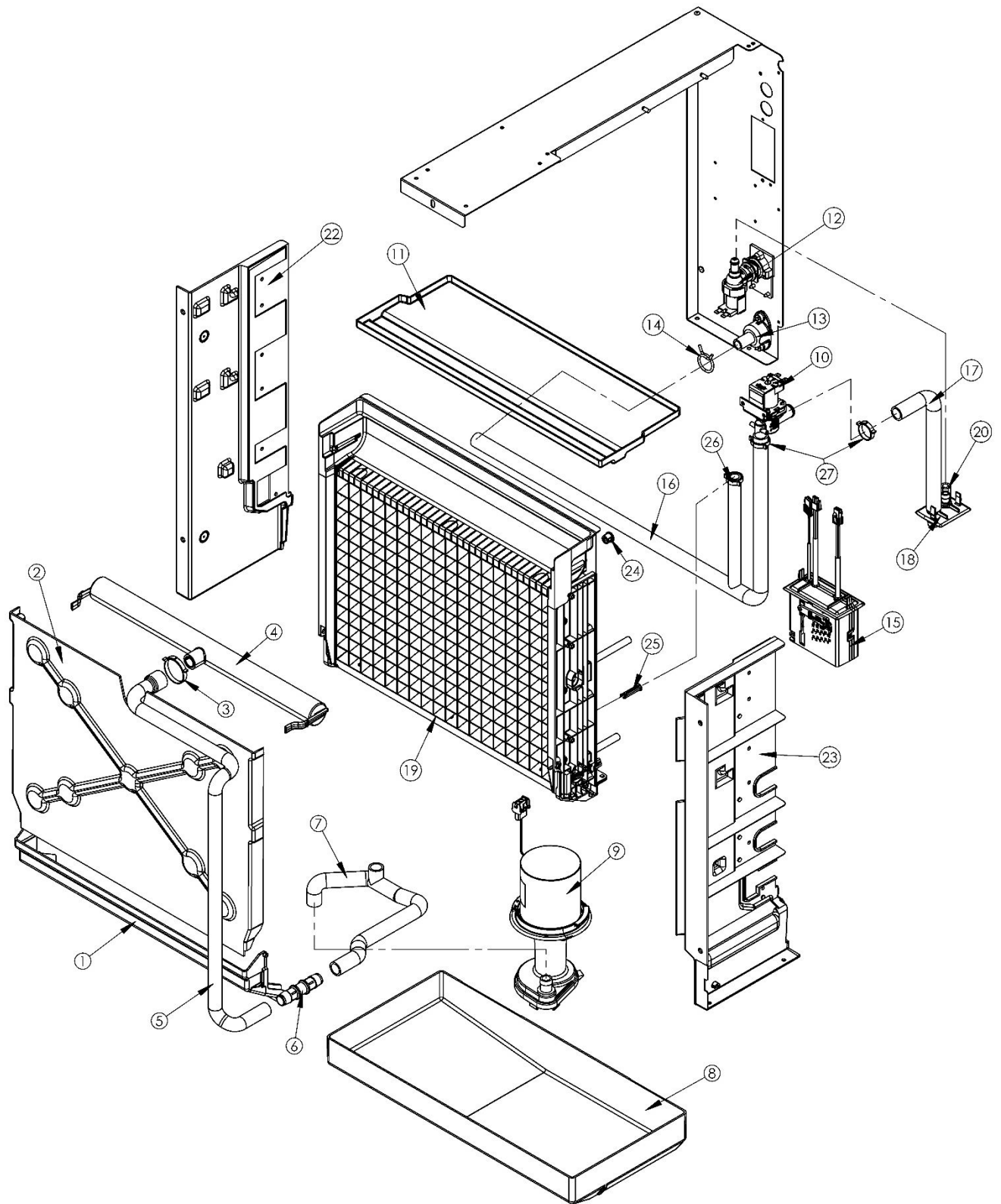
CIM1126FA90
 CIM1126HA90
 CIM1126FW90
 CIM1126HW90

30" MODELS

CIM0836FA90
 CIM0836HA90
 CIM0836FW90
 CIM0836HW90
 CIM0836GA90

CIM1136FA90
 CIM1136HA90
 CIM1136FW90
 CIM1136HW90

Water System



Water System

Item No.	Model Family						Description
	CIM03*0*	50 HZ CIM03*5*	CIM03*6*	CIM04*0* CIM05*0*	CIM04*5* CIM05*5* CIM06*5*	CIM04*6* CIM05*6* CIM06*6*	
1	9051823-01S	9051823-01S	9051823-01S	9051823-01S	9051823-01S	9051823-01S	Lower Curtain
2	9051726-01	9051726-01	9051726-01	9051726-02	9051726-02	9051726-02	Evaporator Cover
3	9021010-05	9021010-05	9021010-05	9021010-05	9021010-05	9021010-05	Hose Clamp, Plastic
4	9051766-01	9051766-01	9051766-01	9051766-01	9051766-01	9051766-01	Water Distribution Assembly
5	9051749-01	9051749-01	9051749-01	9051749-02	9051749-02	9051749-02	Water Tube, Upper
6	9091177-01	9091177-01	9091177-01	9091177-01	9091177-01	9091177-01	Coupler, Straight, 5/8" I.D. Tubing
7	9051748-01	9051748-01	9051748-01	9051748-01	9051748-01	9051748-01	Water Tube, Sump
8	9051737-01	9051737-01	9051737-01	9051737-01	9051737-01	9051737-01	Sump/Water Trough
9	2062336-01S	2062336-02S	2062336-02S	2062336-01S	2062336-02S	2062336-02S	Water Pump
10	9041105-04	9041105-05	9041105-05	9041105-04	9041105-05	9041105-05	Purge Valve
11	9051738-01	9051738-01	9051738-01	9051738-01	9051738-01	9051738-01	Top Cover
12	9041108-01	9041108-02	9041108-02	9041108-01	9041108-02	9041108-02	Water Inlet Valve
13	9091140-01	9091140-01	9091140-01	9091140-01	9091140-01	9091140-01	Drain Fitting
14	9021113-02	9021113-02	9021113-02	9021113-02	9021113-02	9021113-02	Hose Clamp, Metal
15	1051224-01	1051224-01	1051224-01	1051224-01	1051224-01	1051224-01	Float Switch Assmely (with instructions)
16	9051856-01	9051856-01	9051856-01	9051856-01	9051856-01	9051856-01	Purge to Drain Tube
17	9051541-01	9051541-01	9051541-01	9051541-01	9051541-01	9051541-01	Pump to Purge Valve Tube
18	9051739-01	9051739-01	9051739-01	9051739-01	9051739-01	9051739-01	Inlet Outlet Bracket
19	1051320-01	1051320-01	1051320-01	1051340-01	1051340-01	1051340-01	Full Cube Evaporator Assembly
	1051320-02	1051320-02	1051320-02	1051340-02	1051340-02	1051340-02	Half Cube Evaporator Assembly
20	9051782-36	9051782-36	9051782-36	9051782-36	9051782-36	9051782-36	Inlet Valve to Sump Tubing
21							
22	9051729-01	9051729-01	9051729-01	9051729-01	9051729-01	9051729-01	Left Evaporator Support
23	9051730-01	9051730-01	9051730-01	9051730-01	9051730-01	9051730-01	Right Evaporator Support
24	9051001-02	9051001-02	9051001-02	9051001-02	9051001-02	9051001-02	Harvest Assist Guide
25	9051840-01	9051840-01	9051840-01	9051840-01	9051840-01	9051840-01	Poppet Valve (Evap. Condensation Tray)

22" MODELS

CIM0320FA90
 CIM0320HA90
 CIM0320FW90
 CIM0320HW90

CIM0520FA90
 CIM0520HA90
 CIM0520FW90
 CIM0520HW90
 CIM0520HT90

CIM0526FA90
 CIM0526HA90

30" MODELS

CIM0330FA90
 CIM0330HA90
 CIM0330FW90
 CIM0330HW90

CIM0430FA90
 CIM0430HA90
 CIM0436FA90
 CIM0436HA90

30" MODELS

CIM0530FA90
 CIM0530HA90
 CIM0530FW90
 CIM0530HW90
 CIM0530HT90

CIM0636FA90
 CIM0636HA90
 CIM0636FW90
 CIM0636HW90

Note: Model CIM0326FA-HA is discontinued.
A R290 refrigerant version was never manufactured.
 The parts listed in this publication are for the R404 version.
 There is no indication as to why it's listed in this manual.

Water System

Item No.	Model Family					Description
	50 HZ CIM08*5*	CIM08*6*		50 HZ CIM11*5*	CIM11*6*	
1	9051823-01S	9051823-01S		9051823-01S	9051823-01S	Lower Curtain
2	9051760-01	9051760-01		9051760-01	9051760-01	Evaporator Cover
3	9021010-05	9021010-05		9021010-05	9021010-05	Hose Clamp, Plastic
4	9051766-01	9051766-01		9051766-01	9051766-01	Water Distribution Assembly
5	9051749-03	9051780-01		9051749-03	9051780-01	Water Tube, Upper
	9051749-05	9051749-05		9051749-05	9051749-05	Water Tube, Lower
6	9091177-01	9091177-01		9091177-01	9091177-01	Coupler, Straight, 5/8" I.D. Tubing
7	9051748-01	9051748-01		9051748-01	9051748-01	Water Tube, Sump
8	9051737-01	9051737-01		9051737-01	9051737-01	Sump/Water Trough
9	2062336-03S	2062336-03S		2062336-03S	2062336-03S	Water Pump
10	9041105-05	9041105-05		9041105-05	9041105-05	Purge Valve
11	9051738-01	9051738-01		9051738-01	9051738-01	Top Cover
12	9041108-01	9041108-02		9041108-01	9041108-02	Water Inlet Valve
13	9091140-01	9091140-01		9091140-01	9091140-01	Drain Fitting
14	9021113-02	9021113-02		9021113-02	9021113-02	Hose Clamp, Metal
15	1051224-01	1051224-01		1051224-01	1051224-01	Float Switch Assmely (with instructions)
16	9051856-01	9051856-01		9051856-01	9051856-01	Purge to Drain Tube
17	9051541-01	9051541-01		9051541-01	9051541-01	Pump to Purge Valve Tube
18	9051739-01	9051739-01		9051739-01	9051739-01	Inlet Outlet Bracket
19	1051380-01	1051380-01		1051380-01	1051380-01	Full Cube Evaporator Assembly
	1051380-02	1051380-02		1051380-02	1051380-02	Half Cube Evaporator Assembly
	1051380-03	1051380-03		1051380-03	1051380-03	Grande Cube Evaporator Assembly
20	9051782-36	9051782-36		9051782-36	9051782-36	Inlet Valve to Sump Tubing
21						
22	9051758-01	9051758-01		9051758-01	9051758-01	Left Evaporator Support
23	9051759-01	9051759-01		9051759-01	9051759-01	Right Evaporator Support
24	9051001-02	9051001-02		9051001-02	9051001-02	Harvest Assist Guide
25	9051840-01	9051840-01		9051840-01	9051840-01	Poppet Valve (Evap. Condensation Tray)

22" MODELS

CIM0826FA90
 CIM0826HA90
 CIM0826FW90
 CIM0826HW90

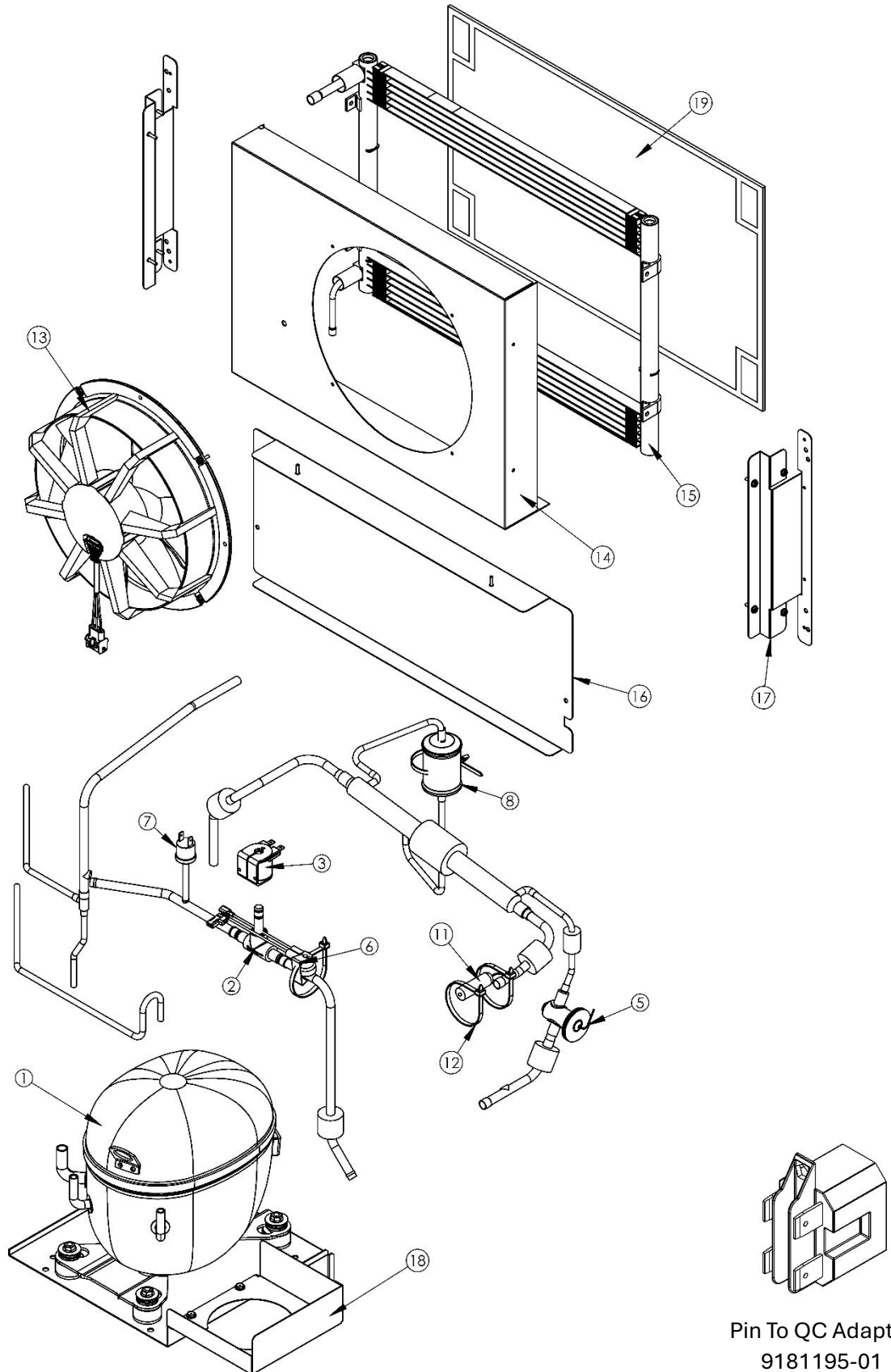
CIM1126FA90
 CIM1126HA90
 CIM1126FW90
 CIM1126HW90

30" MODELS

CIM0836FA90
 CIM0836HA90
 CIM0836FW90
 CIM0836HW90
 CIM0836GA90

CIM1136FA90
 CIM1136HA90
 CIM1136FW90
 CIM1136HW90

Refrigeration System: Air Cooled



Refrigeration System: Air Cooled

Item No.	Model Family						Description
	CIM03*0*A	CIM03*5*A	CIM03*6*A	CIM04*0*A	CIM04*5*A	CIM04*6*A	
1	9181204-101	9181216-101	9181216-101	9181204-101	9181209-101	9181216-101	Compressor Kit
2	9151192-01	9151192-01	9151192-01	9151192-01	9151192-01	9151192-01	Hot Gas Valve Body
3	9151193-01	9151193-02	9151193-02	9151193-01	9151193-02	9151193-02	Hot Gas Valve Coil
4							
5	9151216-01	9151216-01	9151216-01	9151214-01	9151214-01	9151214-01	TXV
6	9041098-02	9041098-02	9041098-02	9041098-02	9041098-02	9041098-02	High Temperature Sw itch
7	9041120-01	9041120-01	9041120-01	9041120-01	9041120-01	9041120-01	High Pressure Sw itch
8	9151163-01	9151163-01	9151163-01	9151163-01	9151163-01	9151163-01	Drier (included in compressor kit)
9							
10							
11	9131143-01	9131143-01	9131143-01	9131143-01	9131143-01	9131143-01	Insulation, Bulb
12	9021021-01	9021021-01	9021021-01	9021021-01	9021021-01	9021021-01	Cable Tie
13	9161155-01	9161155-02	9161155-02	9161155-01	9161155-02	9161155-02	Fan Motor
14	3013867-01	3013867-01	3013867-01	3013867-01	3013867-01	3013867-01	Fan Shroud
15	9141174-01	9141174-01	9141174-01	9141174-01	9141174-01	9141174-01	Condenser
16	3013917-01	3013917-01	3013917-01	3013917-01	3013917-01	3013917-01	Low er Rear Panel
17	3013866-01	3013866-01	3013866-01	3013866-01	3013866-01	3013866-01	Condenser Bracket
18	2021776-01S	2021776-03S	2021776-03S	2021776-01S	2021776-01S	2021776-03S	Compressor Base
19	9131583-01	9131583-01	9131583-01	9131583-01	9131583-01	9131583-01	Air Filter
	Compressor Starting Components (Included in Comp Kit)						
	9181003-63	9181003-68	9181003-68	9181003-63	9181003-65	9181003-68	Start Capacitor
	9181009-17	9181009-31	9181009-31	9181009-17	9181009-09	9181009-31	Run Capacitor
	9181010-39	9181004-37	9181004-37	9181010-39	9181010-27	9181004-37	Compressor Relay
	9181005-49	Internal	Internal	9181005-49	9181005-58	Internal	Overload
	9181195-01 (As Required)						Pin to QC Adapter

22" MODELS

CIM0320FA90

CIM0320HA90

30" MODELS

CIM0330FA90

CIM0330HA90

CIM0430FA90

CIM0430HA90

CIM0436FA90

CIM0436HA90

Note: Model CIM0326FA-HA is discontinued.
A R290 refrigerant version was never manufactured.
 The parts listed in this publication are for the R404 version.
 There is no indication as to why it's listed in this manual.

Refrigeration System: Air Cooled

Item No.	Model Family					Description
	CIM05*0*A	CIM05*5*A			CIM06*6*A	
1	9181206-101	9181210-101			9181208-101	Compressor Kit
2	9151192-01	9151192-01			9151192-01	Hot Gas Valve Body
3	9151193-01	9151193-02			9151193-02	Hot Gas Valve Coil
4						
5	9151214-01	9151214-01			9151214-01	TXV
6	9041098-02	9041098-02			9041098-02	High Temperature Sw itch
7	9041120-01	9041120-01			9041120-01	High Pressure Sw itch
8	9151163-01	9151163-01			9151163-01	Drier (included in compressor kit)
9						
10						
11	9131143-01	9131143-01			9131143-01	Insulation, Bulb
12	9021021-01	9021021-01			9021021-01	Cable Tie
13	9161155-01	9161155-02			9161155-02	Fan Motor
14	3013867-01	3013867-01			3013867-01	Fan Shroud
15	9141174-01	9141174-01			9141174-01	Condenser
16	3013917-01	3013917-01			3013917-01	Low er Rear Panel
17	3013866-01	3013866-01			3013866-01	Condenser Bracket
18	2021776-01S	2021776-01S			2021776-01S	Compressor Base
19	9131583-01	9131583-01			9131583-01	Air Filter
	Compressor Starting Components (Included in Comp Kit)					
	9181003-64	9181003-26			9181003-52	Start Capacitor
	9181009-12	9181009-28			9181009-30	Run Capacitor
	9181010-14	9181010-40			9181010-41	Compressor Relay
	9181005-56	9181005-60			Internal	Overload
	9181195-01 (As Required)					Pin to QC Adapter

22" MODELS

CIM0520FA90
 CIM0520HA90
 CIM0520HT90

30" MODELS

CIM0530FA90
 CIM0530HA90
 CIM0530HT90

CIM0526FA90
 CIM0526HA90

CIM0636FA90
 CIM0636HA90

Refrigeration System: Air Cooled

Item No.	Model Family					Description
	CIM08*5*A	CIM08*6*A		CIM11*5*A	CIM11*6*A	
1	9181218-101	9181213-01		9181219-101	9181217-101	Compressor Kit
2	9151198-01	9151198-01		9151198-01	9151198-01	Hot Gas Valve Body
3	9151193-02	9151193-02		9151193-02	9151193-02	Hot Gas Valve Coil
4						
5	9151223-01	9151223-01		9151223-01	9151223-01	TXV
6	9041098-02	9041098-02		9041098-02	9041098-02	High Temperature Switch
7	9041120-01	9041120-01		9041120-01	9041120-01	High Pressure Sw itch
8	9151163-01	9151163-01		9151163-01	9151163-01	Drier (included in compressor kit)
9						
10						
11	9131143-01	9131143-01		9131143-01	9131143-01	Insulation, Bulb
12	9021021-01	9021021-01		9021021-01	9021021-01	Cable Tie
13	9161163-02	9161163-02		9161163-02	9161163-02	Fan Motor
14	3013951-02	3013951-02		3013951-02	3013951-02	Fan Shroud
15	9141180-01	9141180-01		9141180-01	9141180-01	Condenser
16	N/A	N/A		N/A	N/A	Low er Rear Panel
17	3013952-01	3013952-01		3013952-01	3013952-01	Condenser Bracket
18	2021865-01S	2021865-01S		2021865-01S	2021865-01S	Compressor Base
19	9131574-02	9131574-02		9131574-02	9131574-02	Air Filter
	Compressor Starting Components (Included in Comp Kit)					
	9181003-52	9181003-52		9181003-54	9181003-69	Start Capacitor
	9181009-17	9181009-17		9181009-26	9181009-28	Run Capacitor
	9181010-01	9181010-28		9181010-43	9181010-27	Compressor Relay
	Internal	Internal		Internal	Internal	Overload
	9181195-01 (As Required)					Pin to QC Adapter

22" MODELS

CIM0826FA90
 CIM0826HA90

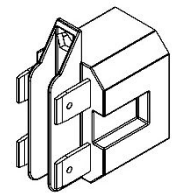
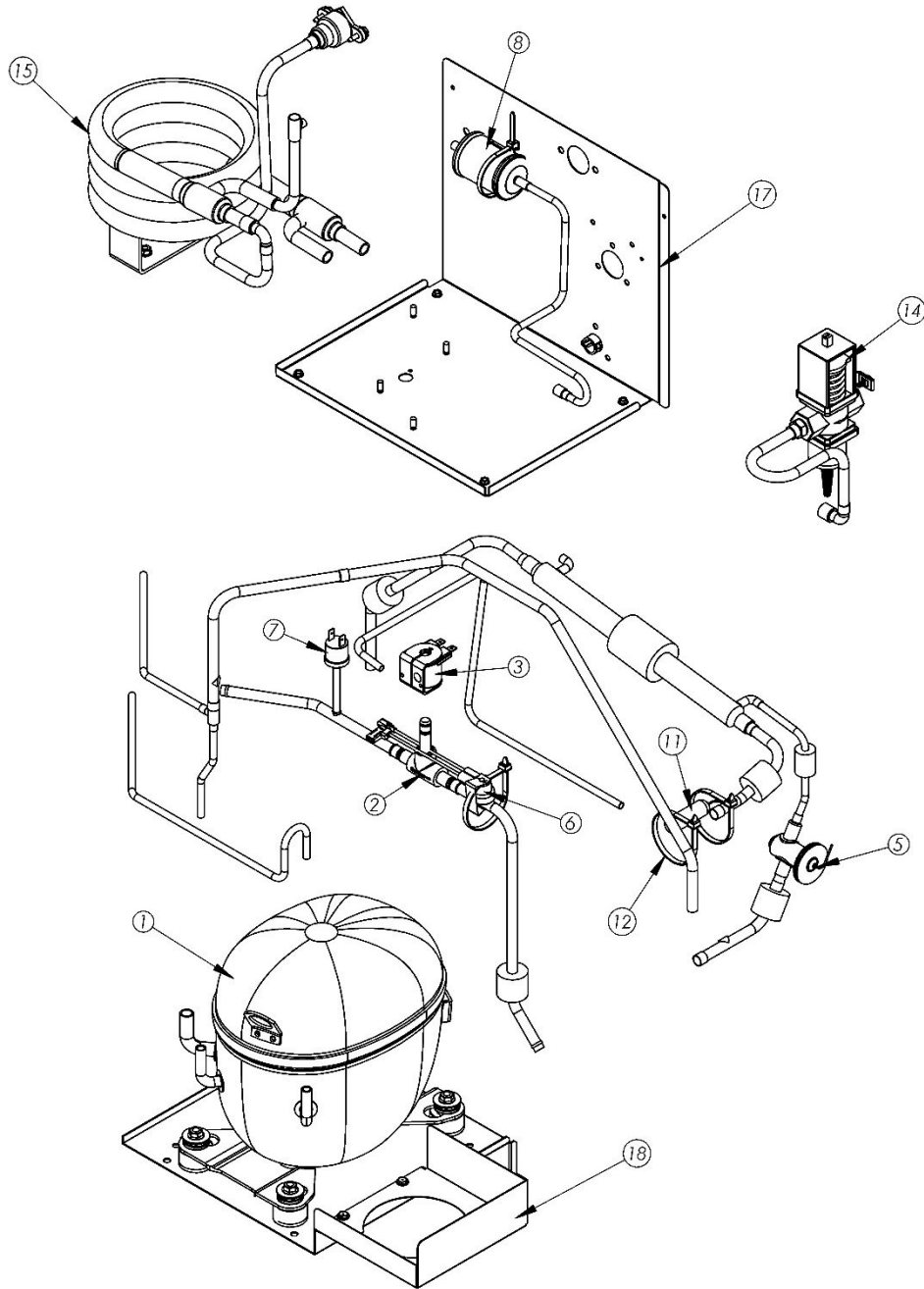
CIM1126FA90
 CIM1126HA90

30" MODELS

CIM0836FA90
 CIM0836HA90
 CIM0836GA90

CIM1136FA90
 CIM1136HA90

Refrigeration System: Water Cooled



Pin To QC Adapter
9181195-01

Refrigeration System: Water Cooled

Item No.	Model Family						Description
	CIM03*0*W	CIM03*5*W	CIM03*6*W	CIM04*0*W	CIM04*5*W	CIM04*6*W	
1	9181204-101	9181216-101	9181216-101	9181204-101	9181209-101	9181216-101	Compressor Kit
2	9151192-01	9151192-01	9151192-01	9151192-01	9151192-01	9151192-01	Hot Gas Valve Body
3	9151193-01	9151193-02	9151193-02	9151193-01	9151193-02	9151193-02	Hot Gas Valve Coil
4							
5	9151216-01	9151216-01	9151216-01	9151214-01	9151214-01	9151214-01	TXV
6	9041098-02	9041098-02	9041098-02	9041098-02	9041098-02	9041098-02	High Temperature Sw itch
7	9041120-01	9041120-01	9041120-01	9041120-01	9041120-01	9041120-01	High Pressure Sw itch
8	9151163-01	9151163-01	9151163-01	9151163-01	9151163-01	9151163-01	Drier (included in compressor kit)
9							
10							
11	9131143-01	9131143-01	9131143-01	9131143-01	9131143-01	9131143-01	Insulation, Bulb
12	9021021-01	9021021-01	9021021-01	9021021-01	9021021-01	9021021-01	Cable Tie
13							
14	9041059-02	9041059-02	9041059-02	9041059-02	9041059-02	9041059-02	Water Regulator
15	9141178-01	9141178-01	9141178-01	9141178-01	9141178-01	9141178-01	Condenser
16							
17	2021790-01S	2021790-01S	2021790-01S	2021790-01S	2021790-01S	2021790-01S	Condenser Bracket
18	2021776-01S	2021776-03S	2021776-03S	2021776-01S	2021776-01S	2021776-03S	Compressor Base
19							
	Compressor Starting Components (Included in Comp Kit)						
	9181003-63	9181003-68	9181003-68	9181003-63	9181003-65	9181003-68	Start Capacitor
	9181009-17	9181009-31	9181009-31	9181009-17	9181009-09	9181009-31	Run Capacitor
	9181010-39	9181004-37	9181004-37	9181010-39	9181010-27	9181004-37	Compressor Relay
	9181005-49	Internal	Internal	9181005-49	9181005-58	Internal	Overload
	9181195-01 (As Required)						Pin to QC Adapter

22" MODELS

CIM0320FW90

CIM0320HW90

30" MODELS

CIM0330FW90

CIM0330HW90

Note: No CIM0326FW-HW (water cooled) model was ever manufactured. There was never a R404 version and there isn't a R290 model either. There is no indication as to why it's listed as a valid water cooled model in this manual.

Note: Models CIM0430FW-HW and CIM0436FW-HW are discontinued. R290 refrigerant versions of these models were never manufactured. The parts listed in this publication are for the R404 version and shouldn't be listed here. There is no indication as to why these models are referenced in this manual.

Refrigeration System: Water Cooled

Item No.	Model Family					Description
	CIM05*0*W	CIM05*5*W			CIM06*6*W	
1	9181206-101	9181210-101			9181208-101	Compressor Kit
2	9151192-01	9151192-01			9151192-01	Hot Gas Valve Body
3	9151193-01	9151193-02			9151193-02	Hot Gas Valve Coil
4						
5	9151214-01	9151214-01			9151214-01	TXV
6	9041098-02	9041098-02			9041098-02	High Temperature Sw itch
7	9041120-01	9041120-01			9041120-01	High Pressure Switch
8	9151163-01	9151163-01			9151163-01	Drier (included in compressor kit)
9						
10						
11	9131143-01	9131143-01			9131143-01	Insulation, Bulb
12	9021021-01	9021021-01			9021021-01	Cable Tie
13						
14	9041059-02	9041059-02			9041059-02	Water Regulator
15	9141178-01	9141178-01			9141178-01	Condenser
16						
17	2021790-01S	2021790-01S			2021790-01S	Condenser Bracket
18	2021776-01S	2021776-03S			2021776-03S	Compressor Base
19						
	Compressor Starting Components (Included in Comp Kit)					
	9181003-64	9181003-26			9181003-52	Start Capacitor
	9181009-12	9181009-28			9181009-30	Run Capacitor
	9181010-14	9181010-40			9181010-41	Compressor Relay
	9181005-56	9181005-60			Internal	Overload
	9181195-01 (As Required)					Pin to QC Adapter

22" MODELS

CIM0520FW90

CIM0520HW90

30" MODELS

CIM0530FW90

CIM0530HW90

CIM0636FW90

CIM0636HW90

Refrigeration System: Water Cooled

Item No.	Model Family					Description
	CIM08*5*W	CIM08*6*W		CIM11*5*W	CIM11*6*W	
1	9181218-101	9181213-01		9181219-101	9181217-101	Compressor Kit
2	9151198-01	9151198-01		9151198-01	9151198-01	Hot Gas Valve Body
3	9151193-02	9151193-02		9151193-02	9151193-02	Hot Gas Valve Coil
4						
5	9151223-01	9151223-01		9151223-01	9151223-01	TXV
6	9041098-02	9041098-02		9041098-02	9041098-02	High Temperature Switch
7	9041120-01	9041120-01		9041120-01	9041120-01	High Pressure Switch
8	9151163-01	9151163-01		9151163-01	9151163-01	Drier (included in compressor kit)
9						
10						
11	9131143-01	9131143-01		9131143-01	9131143-01	Insulation, Bulb
12	9021021-01	9021021-01		9021021-01	9021021-01	Cable Tie
13						
14	9041059-02	9041059-02		9041059-02	9041059-02	Water Regulator
15	9141179-01	9141179-01		9141179-01	9141179-01	Condenser
16						
17	2021790-01S	2021790-01S		2021790-01S	2021790-01S	Condenser Bracket
18	2021865-01S	2021865-01S		2021865-01S	2021865-01S	Compressor Base
19						
	Compressor Starting Components (Included in Comp Kit)					
	9181003-52	9181003-52		9181003-54	9181003-69	Start Capacitor
	9181009-17	9181009-17		9181009-26	9181009-28	Run Capacitor
	9181010-01	9181010-28		9181010-43	9181010-27	Compressor Relay
	Internal	Internal		Internal	Internal	Overload
	9181195-01 (As Required)					Pin to QC Adapter

22" MODELS

CIM0826FW90
CIM0826HW90

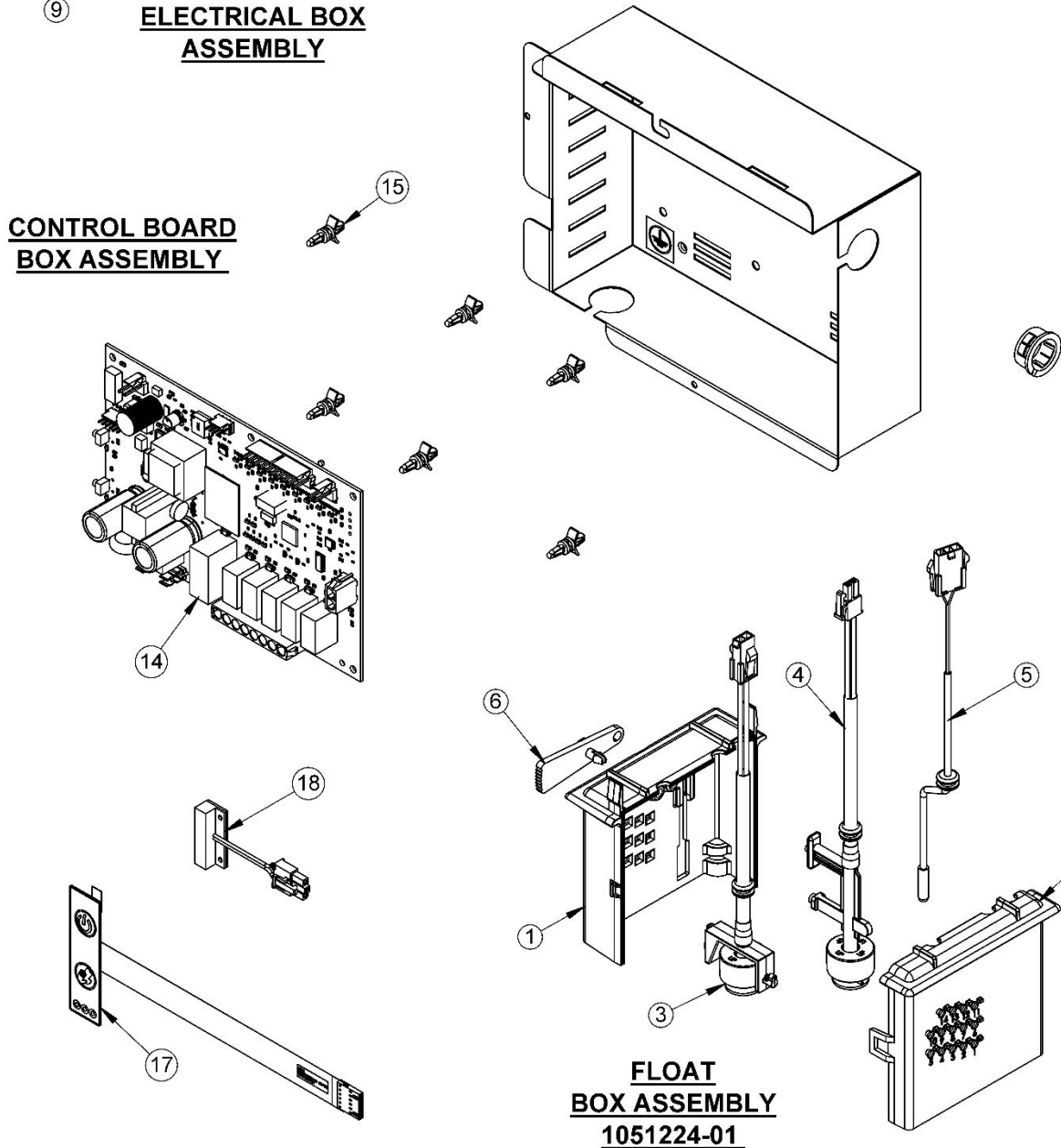
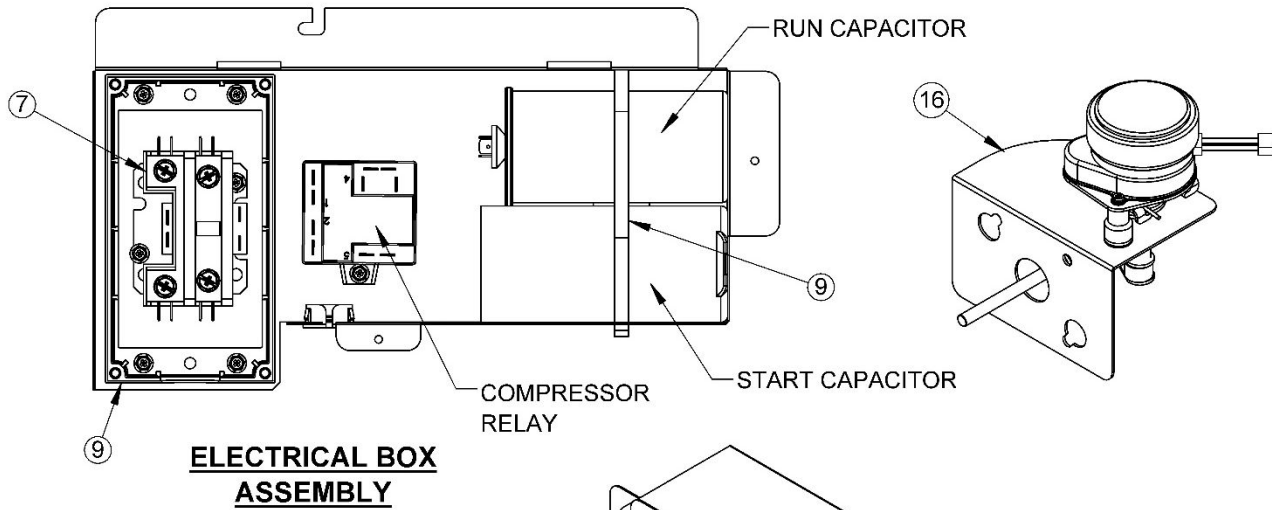
30" MODELS

CIM0836FW90
CIM0836HW90

CIM1126FW90
CIM1126HW90

CIM1136FW90
CIM1136HW90

Electrical System



Electrical System

Item No.	Model Family				Description
	CIM03*0* CIM04*0* CIM05*0*	CIM03*5* CIM04*5* CIM05*5* CIM06*5*	CIM03*6* CIM04*6* CIM05*6* CIM06*6*	CIM08*5* CIM08*6* CIM11*5* CIM11*6*	
1	9051727-01	9051727-01	9051727-01	9051727-01	Float Assembly Front
2	9051727-02	9051727-02	9051727-02	9051727-02	Float Assembly Rear
3	9101378-01	9101378-01	9101378-01	9101378-01	High Float
4	9101377-01	9101377-01	9101377-01	9101377-01	Low Float
5	9041112-01	9041112-01	9041112-01	9041112-01	Thermistor
6	9051728-01	9051728-01	9051728-01	9051728-01	Float Adjustment Arm
7	9021002-07	9021002-06	9021002-06	9021002-06	Contactora
8	9021096-01	9021096-01	9021096-01	9021096-01	Cable Tie, Metal
9	9051881-01	9051881-01	9051881-01	9051881-01	Contactora Box, Lower
10					
11					
12					
13					
14	9101414-01	9101414-01	9101414-01	9101414-01	CIM Control Board
15	9051698-01P	9051698-01P	9051698-01P	9051698-01P	Plastic Standoff (Pack of 10)
16	9161134-01	9161134-02	9161134-02	9161134-02	Harvest Assist
17	9101394-01	9101394-01	9101394-01	9101394-01	Membrane Switch
18	9101379-01	9101379-01	9101379-01	9101379-01	Curtain Switch
	9101497-01	9101497-01	9101497-01	9101497-02	Wire Harness - Line Voltage (Air)
	9101380-03	9101380-03	9101380-03	9101380-03	Wire Harness - Line Voltage (Water)
	9101381-01	9101381-01	9101381-01	9101381-03	Wire Harness - Low Voltage (Air/Water)
	9051881-02	9051881-02	9051881-02	9051881-02	Contactora Box, Upper (not shown)

22" MODELS

CIM0320FA90
 CIM0320HA90
 CIM0320FW90
 CIM0320HW90

22" MODELS

CIM0826FA90
 CIM0826HA90
 CIM0826FW90
 CIM0826HW90

30" MODELS

CIM0330FA90
 CIM0330HA90
 CIM0330FW90
 CIM0330HW90

30" MODELS

CIM0530FA90
 CIM0530HA90
 CIM0530FW90
 CIM0530HW90
 CIM0530HT90

30" MODELS

CIM0836FA90
 CIM0836HA90
 CIM0836FW90
 CIM0836HW90
 CIM0836GA90

CIM0520FA90
 CIM0520HA90
 CIM0520FW90
 CIM0520HW90
 CIM0520HT90

CIM1126FA90
 CIM1126HA90
 CIM1126FW90
 CIM1126HW90

CIM0430FA90
 CIM0430HA90
 CIM0436FA90
 CIM0436HA90
 CIM0636FA90
 CIM0636HA90
 CIM0636FW90
 CIM0636HW90
 CIM1136FA90
 CIM1136HA90
 CIM1136FW90
 CIM1136HW90

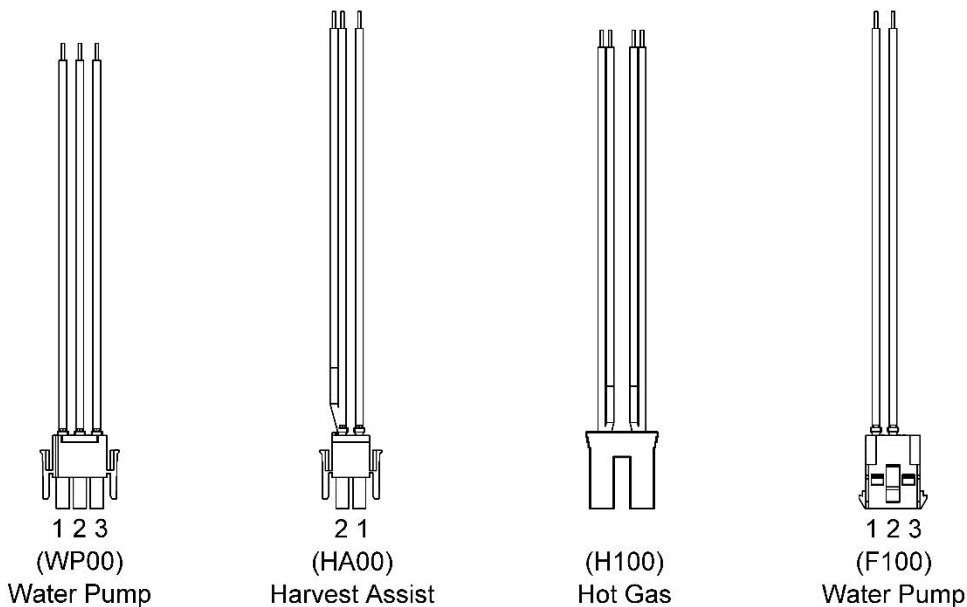
CIM0526FA90
 CIM0526HA90

Note: Model CIM0326FA-HA is discontinued.
A R290 refrigerant version was never manufactured.
 The parts listed in this publication are for the R404 version.
 There is no indication as to why it's listed in this manual.

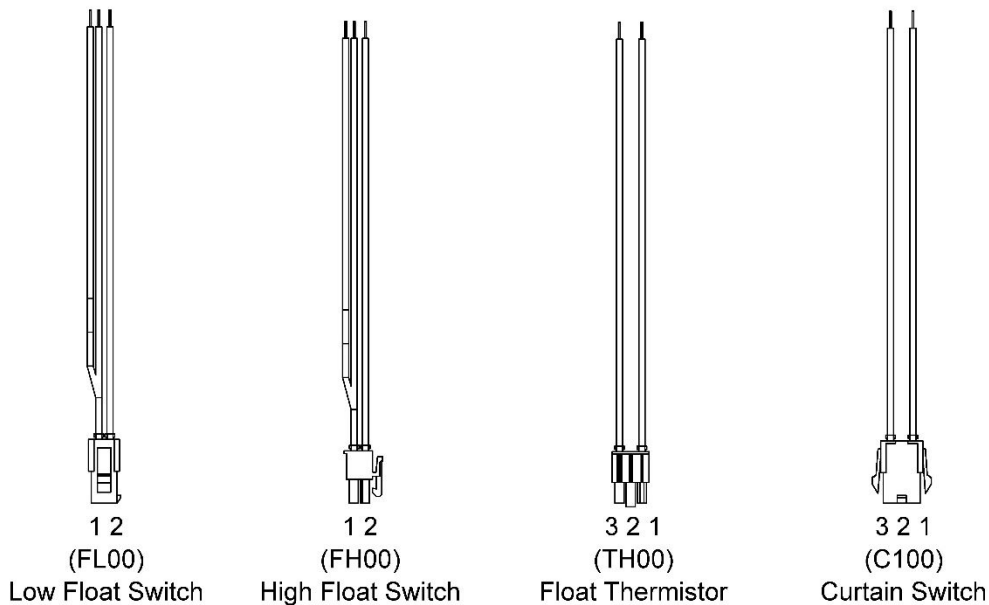
Electrical System

Wiring harness service kits are available to provide a specific connector to be replaced due to a damaged connector or wire.

<u>Kit Part Number</u>	<u>Components Serviced</u>	<u>Voltage</u>
1051237-01	Water Pump, Harvest Assist, Hot Gas Valve, Fan Motor	115 or 208-240VAC
1051237-02	Low Float Switch, High Float Switch, Thermistor, Curtain Switch	12VDC

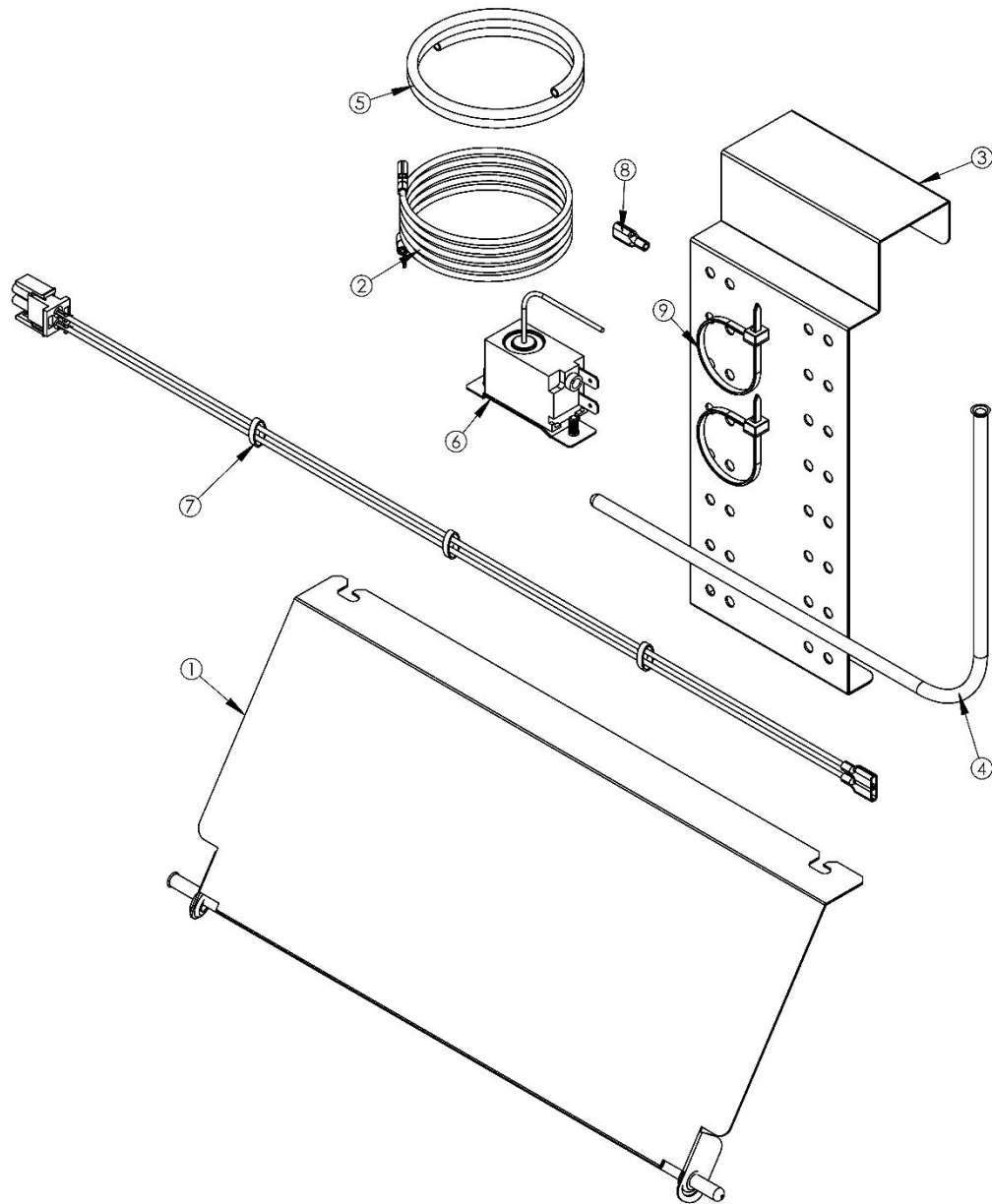


KIT, WIRING HARNESS, LINE VOLTAGE
1051237-01



KIT, WIRING HARNESS, SIGNAL VOLTAGE
1051237-02

KCUBEDISP



Item No.	Part Number	Description
1	2021787-02S	Deflector
2	9101423-01	Wire Assembly
3	3013572-01	Bin Thermostat Tube Bracket
4	3033768-01	Bin Thermostat Tube
5	6021018-03	Tubing, PVC Insulation (for bin thermostat cap tube)
6	9041097-01	Bin Thermostat
7	9101395-01	Wiring Harness, Bin Stat (CIM)
8	9101074-48	1/4in Q.C. Terminal
9	9021021-12	Cable Tie