



SERVICE PARTS MANUAL
30" MODULAR CUBERS
Remote Cooled Units with R449 Refrigerant
CIM0530xR49 / CIM0636xR49

60hz MODELS

CIM0530FR49

CIM0530HR49

CIM0636FR49

CIM0636HR49



Parts Manual for
500-600 lb CIM
30" Cuber Models
Remote Cooled
R449 Refrigerant

This parts list contains the Service Parts available for the following CIM Series.

CIM0530 115/60/1
CIM0636 208-230/60/1

Model Number Example

CIM0330HA

CIM = Cuber Ice Machine

03 = 300 lb. in 24 hours capacity

3 = 30 inch wide cabinet

0 = 115 Volt, **5** = 220-240/50/1 **6** = 208-230/60/1 Volt

H = Half Cube Size, **F** = Full Cube Size

A = Air Cooled Condenser, **W** = Water Cooled Condenser **R**=Remote Condenser

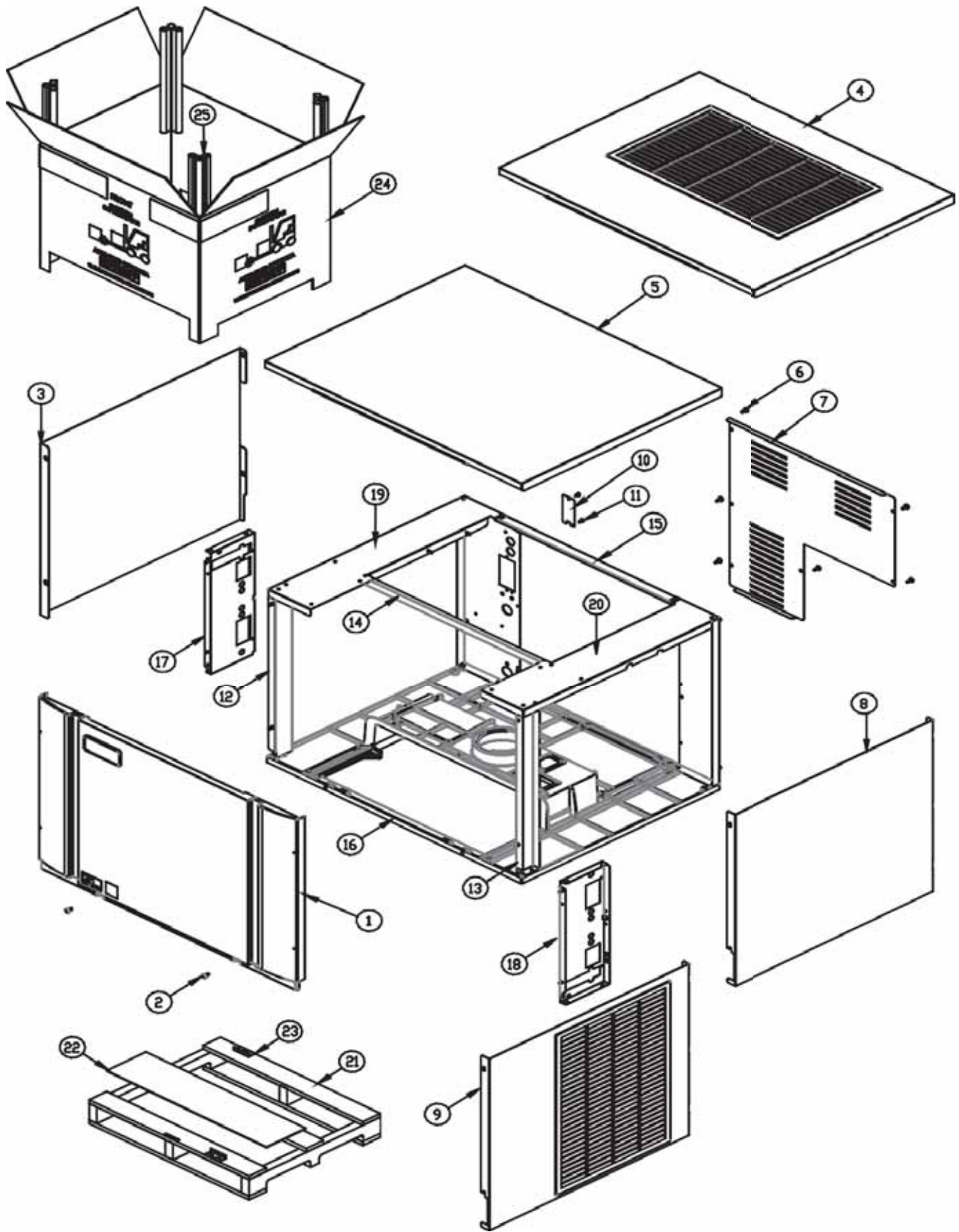
Check the model number on the data plate and refer to the correct listing for the specific component.

Check carefully that the correct part is identified and ordered.

Table of Contents	Page 1
Cabinet	Page 2-3
Water System	Page 4-5
Remote Condenser	Page 6-7
Electrical	Page 8-9
KCUBEDISP	Page 10

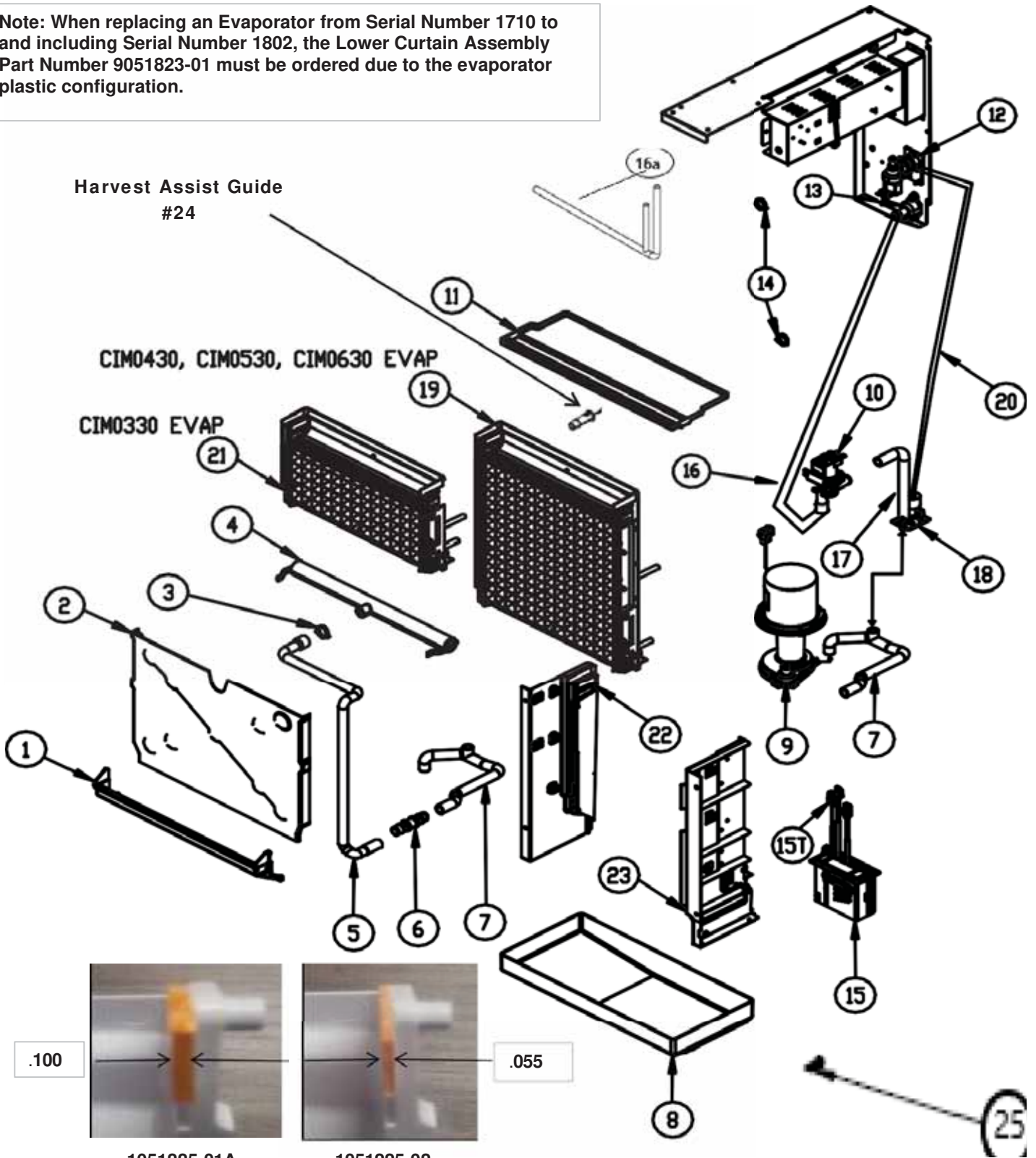
Ice-O-Matic
11100 East 45th Ave.
Denver Co. 80239
800-423-3367

CIM0530xR / CIM0636xR R449 REFRIGERANT



Item No.	Model Number		
	CIM0530	CIM0636	Description
1	2031567-01	2031567-01	Front Panel
2	9031237-01	9031237-01	Front Panel Screws
3	3022007-02	3022007-02	Left Side Panel
4	3022012-08	3022012-08	Top Panel-Air Cooled
5	3022012-03	3022012-03	Top Panel-Remote and Water Cooled
6	9031046-01	9031046-01	Rear Cover Screws
7	3013634-01	3013634-01	Rear Cover
8	3022007-03	3022007-03	Right Side Panel-Remote and Water Cooled
9	3022007-08	3022007-08	Right-Side Panel-Air Cooled
10	3013674-01	3013674-01	Junction Box Cover
11	9031046-01	9031046-01	Junction Box Screw
12	2021786-01	2021786-01	Left Front Corner Post
13	2021786-02	2021786-02	Right Front Corner post
14	3013637-02	3013637-02	Brace 30 Inch
15	3013636-01	3013636-01	Rear Brace
16	9051725-02	9051725-02	Base
17	2021784-01	2021784-01	Front Left Brace
18	2021785-01	2021785-01	Front Right Brace
19	2021780-01	2021780-01	Right Side Framework 30"Assembly
20	2021781-01	2021781-01	Left Side Framework 30"Assembly
21	9011369-02	9011369-02	Elevation Skid 30 Inch
22	9011378-01	9011378-01	Carton Liner 30 Inch
23	9051765-01	9051765-01	Shipping Bracket 2 Req. (Field Installed)
24	9011374-02	9011374-02	Carton, Elevation 30 Inch
25	9011320-15	9011320-15	Corner Post (Each), Elevation, (4 Required)
	9031026-04P	9031026-04P	Pop Rivets Not Shown (Package of 10)

Note: When replacing an Evaporator from Serial Number 1710 to and including Serial Number 1802, the Lower Curtain Assembly Part Number 9051823-01 must be ordered due to the evaporator plastic configuration.



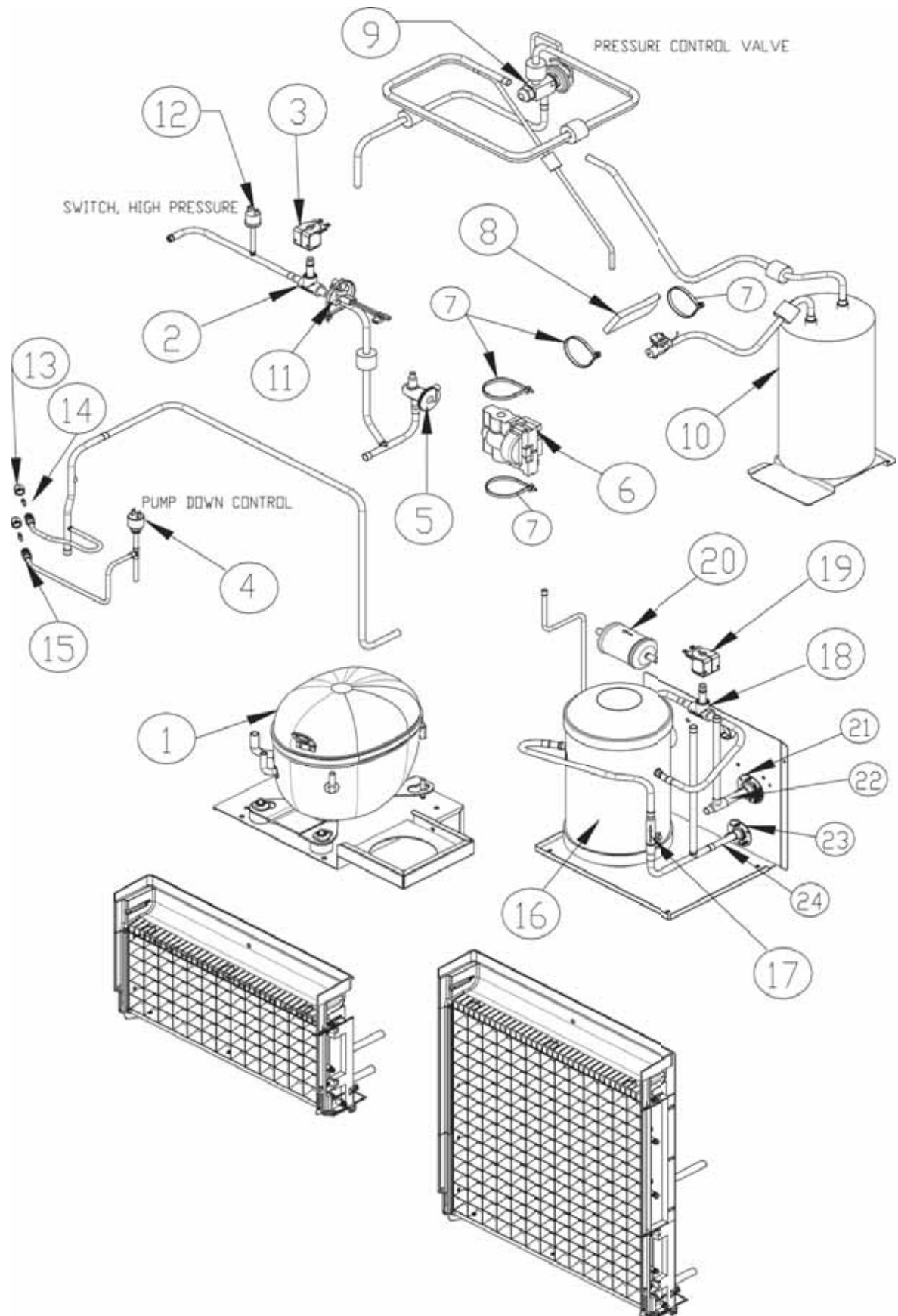
CIM0530xR / CIM0x636R R449 REFRIGERANT

Item No.	Model Number		Description
	CIM0530	CIM0636	
1	9051823-01S	9051823-01S	Lower Curtain Assembly from SN 1803
	1051225-02	1051225-02	Lower Curtain Assembly from SN 1801 to 1802
	1051225-01	1051225-01	Lower Curtain Assembly from SN 1710 to 1712
2	9051726-02	9051726-02	Evaporator Cover
3	9021010-05	9021010-05	Hose Clamp, Plastic
4	9051766-01	9051766-01	Water Distribution Tube Assembly
5	9051749-02	9051749-02	Water Tube, Upper
6	9091177-01	9091177-01	Coupler, Straight, 5/8 I.D. Tubing
7	9051748-01	9051748-01	Water Tube, Sump
8	9051737-01	9051737-01	Sump/Water Trough
9	2062336-01S	2062336-02S	Water Pump
10	9041105-04	9041105-05	Purge Valve
11	9051738-01	9051738-01	Top Cover
12	9041108-01	9041108-02	Water Inlet Valve
13	9091140-01	9091140-01	Drain Fitting
14	9021010-04	9021010-04	Hose Clamp, Plastic
15	1051224-01	1051224-01	Float Switch Assembly (Includes Instructions)
16	9051781-31	9051781-31	Purge Valve Tubing to Drain
16a	9051856-01	9051856-01	Purge Valve Tubing to Drain (Rev 5 & Up)
17	9051541-01	9051541-01	Purge Valve Tube to Inlet Outlet Bracket
18	9051739-01	9051739-01	Inlet Outlet Bracket
19/21	1051340-01B	1051340-01B	Evaporator-FULL Cube = 7/8 x 7/8 x 7/8
19/21	1051340-02B	1051340-02B	Evaporator-HALF Cube = 3/8 x 7/8 x 7/8
20	9051782-36	9051782-36	Water Inlet Valve to Inlet Outlet Bracket Tube
22	9051729-01	9051729-01	Evaporator Support Left Hand Side
23	9051730-01	9051730-01	Evaporator Support Right Hand Side
24	9051744-01	9051744-01	Harvest Assist Guide (for unit S/Ns before #2102)
24	9051001-02	9051001-02	Harvest Assist Guide (for unit S/Ns 2102 & above)
25	9051840-01	9051840-01	Poppet Valve (for the Evaporator Sump)
	2021776-01S	2021776-01S	Compressor Base (Not Shown)
	115/60/1	208-230/60/1	← Machine Voltage

FDR EVAPORATOR

IMPORTANT: Check the CIM Model Number and Serial Number when ordering the Lower Curtain.

CIM0530xR / CIM0x636R R449 REFRIGERANT

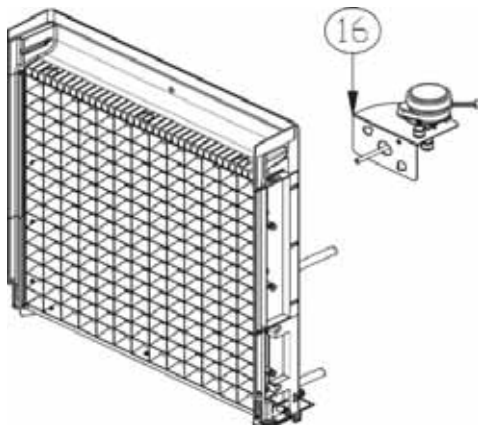


REFERENCE PAGE 4 AND 5 FOR EVAPORATOR

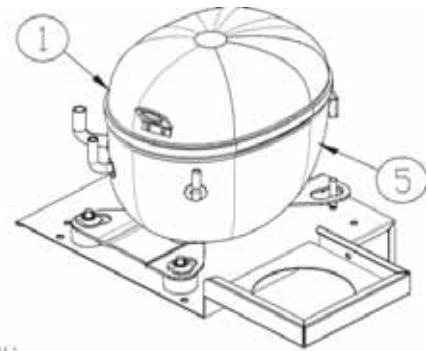
CIM0530xR / CIM0x636R R449 REFRIGERANT

Item No.	Model Number		Description
	CIM0530R	CIM0636R	
1	9181137-11C	9181145-11A	Compressor Kit
2	9151192-01	9151192-01	Hot Gas Valve Body
3	9151193-01	9151193-02	Hot Gas Valve Coil
4	9041092-02	9041092-02	Pump Down Control
5	9151205-101	9151205-101	TXV
6	9131544-01	9131544-01	Insulation, TXV
7	9021025-01	9021025-01	Cable Tie-For TXV and Bulb Insulation
8	9131143-07	9131143-07	Insulation, TXV Bulb
9	9151146-01	Not Used	Pressure Control Valve
10	9151071-01	Not Used	Accumulator
11	9041098-02	9041098-02	High Temp Switch
12	9041111-01	9041111-01	Switch, High Pressure
13	9091086-03	9091086-03	Service Valve Cap
14	9091086-02	9091086-02	Service Valve Core
15	9091086-01	9091086-01	Service Valve Stem
16	9151074-01	9151074-01	Receiver
17	9151139-01	9151139-01	Check Valve
18	9151192-02	9151192-02	Liquid Line Solenoid
19	9151193-01	9151193-02	Liquid Line Coil
20	9151163-03	9151163-03	Drier (Included in Compressor Kit)
21	9091001-09	9091001-09	1/2 Inch Coupling Flange (Large)
22	9091001-12	9091001-12	1/2 Inch Coupling (Large)
23	9091001-03	9091001-03	3/8 Inch Coupling Flange (Small)
24	9091001-11	9091001-11	3/8 Inch Coupling (Small)

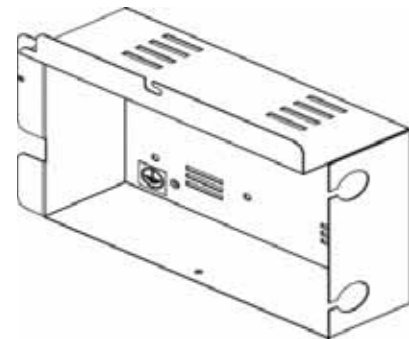
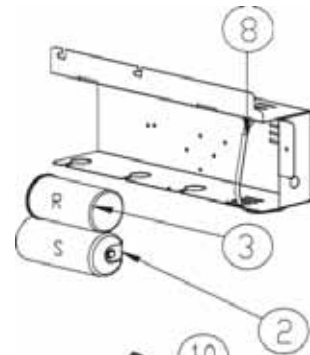
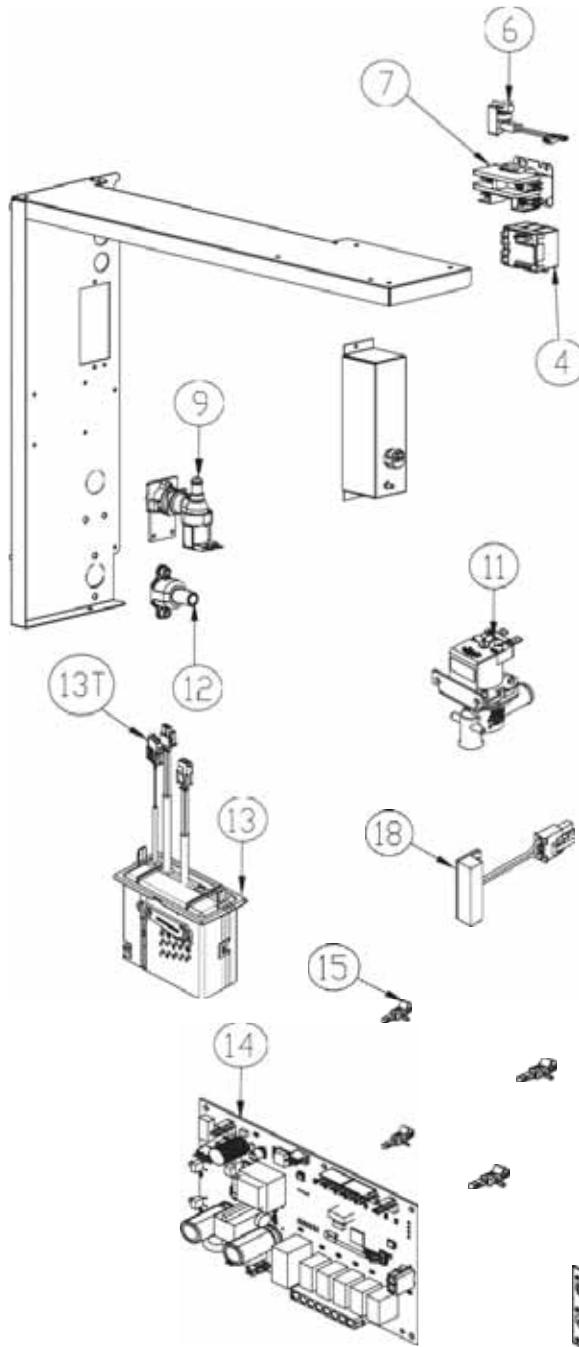
CIM0530R	CIM0636R	Starting Components (Included in Comp Kit)
9181137-11C	9181145-11A	Compressor Kit
9181003-50	9181003-52	Start Capacitor
9181009-25	9181009-19	Run Capacitor
9181010-14	9181010-27	Potential Relay
9181005-45	Internal	Overload
115/60/1	208-230/60/1	← Machine Voltage



REFERENCE PAGE 4 AND 5 FOR



ΕΒΑΡΩΚΑΤΟΚ



Item No.	Model Number		Description
	CIM0530	CIM0636	
1	9181137-11C	9181145-11A	Compressor
2	9181003-50	9181003-52	Start Capacitor
3	9181009-25	9181009-19	Run Capacitor
4	9181010-14	9181010-27	Potential Relay
5	9181005-45	Internal	Overload
6	9041098-02	9041098-02	Switch, High Temp
7	9101002-07	9101002-06	Contactactor
8	9021096-01	9021096-01	Cable Tie, Metal
9	9041108-01	9041108-02	Valve, Water Inlet
10	2062336-01	2062336-02	Water Pump
11	9041105-04	9041105-05	Purge Valve
12	9091140-01	9091140-01	Purge Drain
13	1051224-01	1051224-01	Float Switch Assembly (Includes Instructions)
13T	9041112-01	9041112-01	Thermistor in Float Housing
14	9101414-01S	9101414-01S	Board Dual Voltage
15	9051698-01P	9051698-01P	Plastic Standoff, Control Board (Pkg of 10)
16	9161134-01	9161134-02	Harvest Assist
17	9101394-01	9101394-01	Membrane Switch (ON-OFF) (Includes Cable)
18	9101379-01	9101379-01	Switch, Magnetic Reed (Bin Control on Evap)

Item	Part Number	Description
1	2021787-02S	Deflector
2	9101423-01	Wire Assembly
3	3013572-01	Bin Stat Tube Bracket
4	3033768-01	Bin Stat Tube
5	6021018-03	Tubing PVC Insulation (For Bin Stat Cap Tube)
6	9041097-01	Bin Thermostat
7	9101395-01	Wiring Harness, Bin Stat (CIM Units)

