



SERVICE PARTS MANUAL
22" MODULAR CUBERS
Air & Remote Cooled Units with R449 Refrigerant
CIM0826xA-R49 / CIM1126xA-R49

60hz MODELS

CIM0826FA49
CIM0826HA49
CIM0826FR49
CIM0826HR49

CIM1126FA49
CIM1126HA49
CIM1126FR49
CIM1126HR49



Parts Manual for
800-1100 lb
CIM 22" Cuber
50-60hz Models

IMPORTANT NOTE: Earlier **CIM0826A-W**, **CIM0836A-W**, **CIM1126A-W**, and **CIM1136A-W** models were originally engineered to use R290 refrigerant (reference related R290 parts manuals). Ice-O-Matic later updated these models to use R449 refrigerant.

As such, there are now two refrigerant versions requiring two different parts manuals due to the differences between the R290 and R449 refrigeration components.

To verify whether the unit is a R290 or R449 refrigerant model, simply identify the model referenced on the serial number tag on the machine. If it ends in 90, then it's the earlier R290 version (Example: CIM0826FA90). If it ends in 49, then it's the newer version using R449 refrigerant (Example: CIM0826FA49).

If neither is the case, it may be an older model that uses R404 refrigerant. For proper parts identification, you'll need to reference an earlier parts manual specific to that model. Always use the appropriate parts manual related to the model and refrigerant type of the unit in question.

This information was provided by Gulf Ice Systems, Inc. (05/01/2026).

This parts list contains the service parts available for the following CIM Series.

CIM0826XX49 208-230/60/1-R449

CIM0825XX49 220-240/50/1-R449

CIM1126XX49 208-230/60/1-R449

CIM1125XX49 220-240/50/1-R449

Model Number Example

CIM0826HA49

CIM = **C**uber **I**ce **M**achine

08 = 800 lb, in 24 hours capacity

2 = 22 inch wide cabinet

0 = 115 Volt, **5** = 220-240/50/1 **6** = 208-230/60/1 Volt

H = Half Cube Size, **F** = Full Cube Size

A = Air Cooled Condenser, **W** = Water Cooled Condenser **R**=Remote Condenser

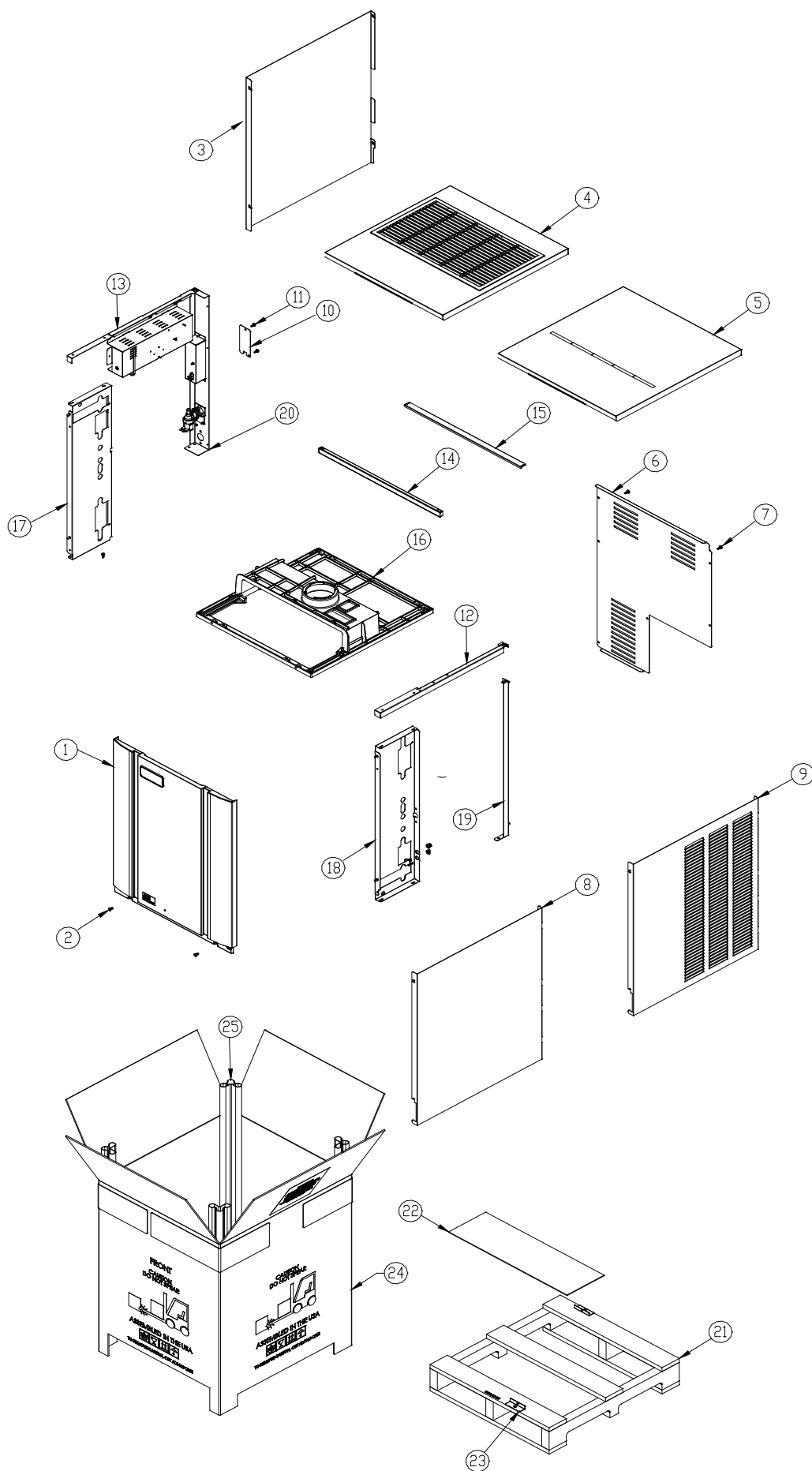
49= Refrigerant R449

Check the model number on the data plate and refer to the correct listing for the specific component.

Check carefully that the correct part is identified and ordered.

Table of Contents	Page 1
Cabinet	Page 2-3
Water System	Page 4-5
Air Cooled Condenser	Page 6-7
Remote Condenser	Page 8-9
Electrical	Page 10-11
Compressor	Page 12

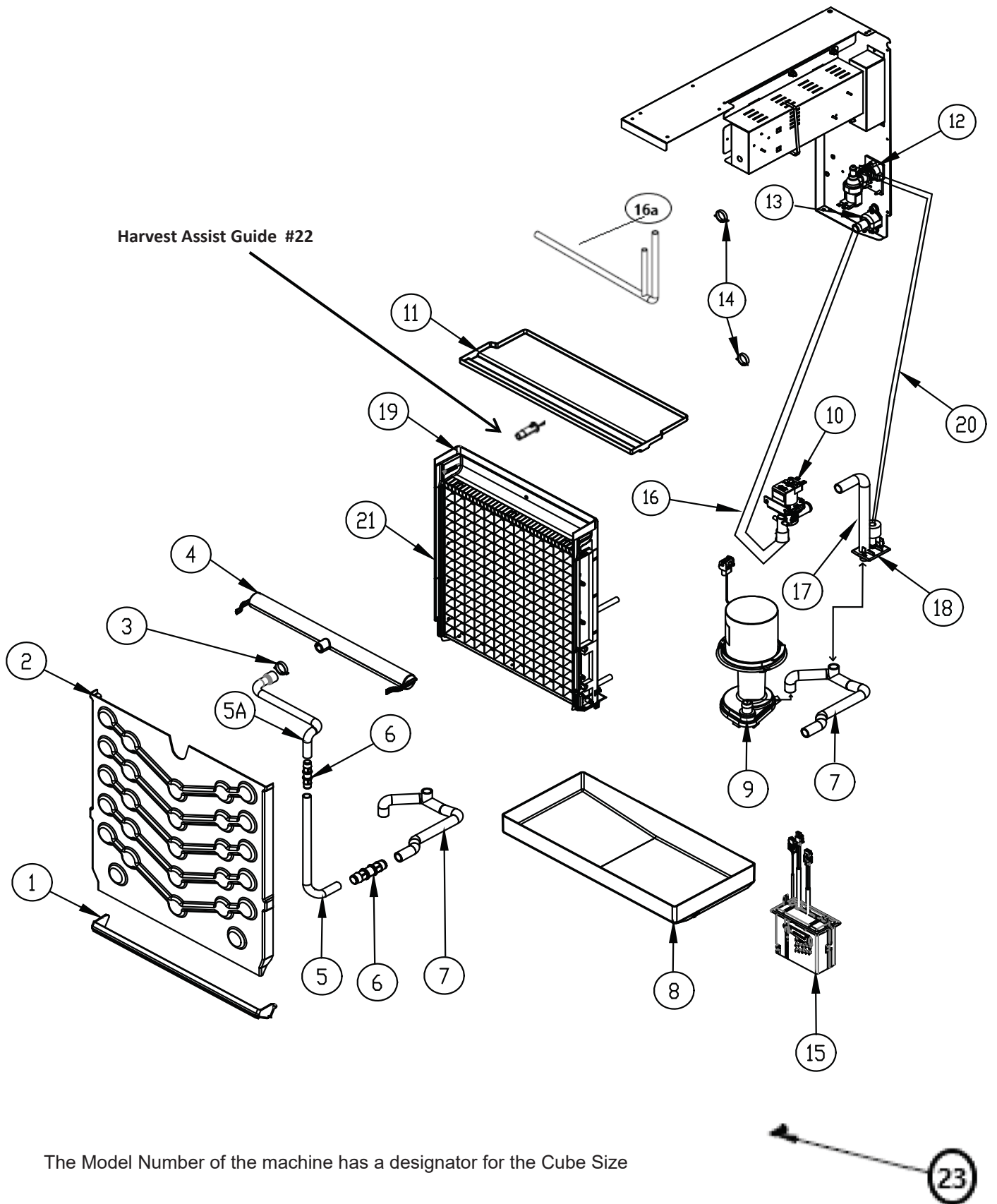
Ice-O-Matic
11100 East 45th Ave.
Denver Co. 80239
800-423-3367



CIM Service Parts CIM0826xA-R-W / CIM1126xA-R-W - R449 REFRIGERANT Cabinet

Item No.	Model Number		Description
	CIM0826xx49	CIM1126xx49	
1	2031545-01S	2031545-01S	Front Panel
2	9031237-01P	9031237-01P	Front Panel Screws
3	3022007-05	3022007-05	Left Side Side Panel
4	3022012-07	3022012-07	Top Panel-Air Cooled
5	3022012-01	3022012-01	Top Panel-Remote and Water Cooled
6	9031046-01P	9031046-01P	Rear Cover Screws
7	3013634-04	3013634-04	Rear Cover
8	3022007-06	3022007-06	Right Side Panel-Remote and Water Cooled
9	3022007-04	3022007-04	Right Side Panel-Air Cooled
10	3013674-01	3013674-01	Junction Box Cover
11	9031046-01P	9031046-01P	Junction Box Screw
12	3013691-01	3013691-01	Top Right Frame Work
13	2021810-01	2021810-01	Left Side Frame Top
14	3013637-01	3013637-01	Brace 22 Inch
15	3013636-01	3013636-01	Rear Brace
16	9051725-01	9051725-01	Base
17	2021800-01	2021800-01	Front Left Brace
18	2021800-02	2021800-02	Front Right Brace
19	2021808-01	2021808-01	Right Rear Corner
20	2021803-01	2021803-01	Left Rear Corner Post
21	9011369-03	9011369-03	Elevation Skid 22 Inch
22	9011378-02	9011378-02	Carton Liner 22 Inch
23	9051765-01	9051765-01	Shipping Bracket 2 Req. (Field Installed)
24	9011374-04	9011374-04	Carton, Elevation 22 Inch
25	9011320-06	9011320-06	Corner Post (Each), Elevation, (4 Required)
	9031026-04P	9031026-04P	Pop Rivets Not Shown (Package of 10)

Item No.	Model Number		Description
	CIM0825xx49	CIM1125xx49	
1	2031545-01S	2031545-01S	Front Panel
2	9031237-01P	9031237-01P	Front Panel Screws
3	3022007-05	3022007-05	Left Side Side Panel
4	3022012-07	3022012-07	Top Panel-Air Cooled
5	3022012-01	3022012-01	Top Panel-Remote and Water Cooled
6	9031046-01P	9031046-01P	Rear Cover Screws
7	3013634-04	3013634-04	Rear Cover
8	3022007-06	3022007-06	Right Side Panel-Remote and Water Cooled
9	3022007-04	3022007-04	Right Side Panel-Air Cooled
10	3013674-01	3013674-01	Junction Box Cover
11	9031046-01P	9031046-01P	Junction Box Screw
12	3013691-01	3013691-01	Top Right Frame Work
13	2021810-01	2021810-01	Left Side Frame Top
14	3013637-01	3013637-01	Brace 22 Inch
15	3013636-01	3013636-01	Rear Brace
16	9051725-01	9051725-01	Base
17	2021800-01	2021800-01	Front Left Brace
18	2021800-02	2021800-02	Front Right Brace
19	2021808-01	2021808-01	Right Rear Corner
20	2021803-01	2021803-01	Left Rear Corner Post
21	9011369-03	9011369-03	Elevation Skid 22 Inch
22	9011378-02	9011378-02	Carton Liner 32 Inch
23	9051765-01	9051765-01	Shipping Bracket 2 Req. (Field Installed)
24	9011374-04	9011374-04	Carton, Elevation 22 Inch
25	9011320-06	9011320-06	Corner Post (Each), Elevation, (4 Required)
	9031026-04P	9031026-04P	Pop Rivets Not Shown (Package of 10)



The Model Number of the machine has a designator for the Cube Size

Example: **CIM0826FA4** **F = Full Cube**

CIM0826HA4 **H = Half Cube**

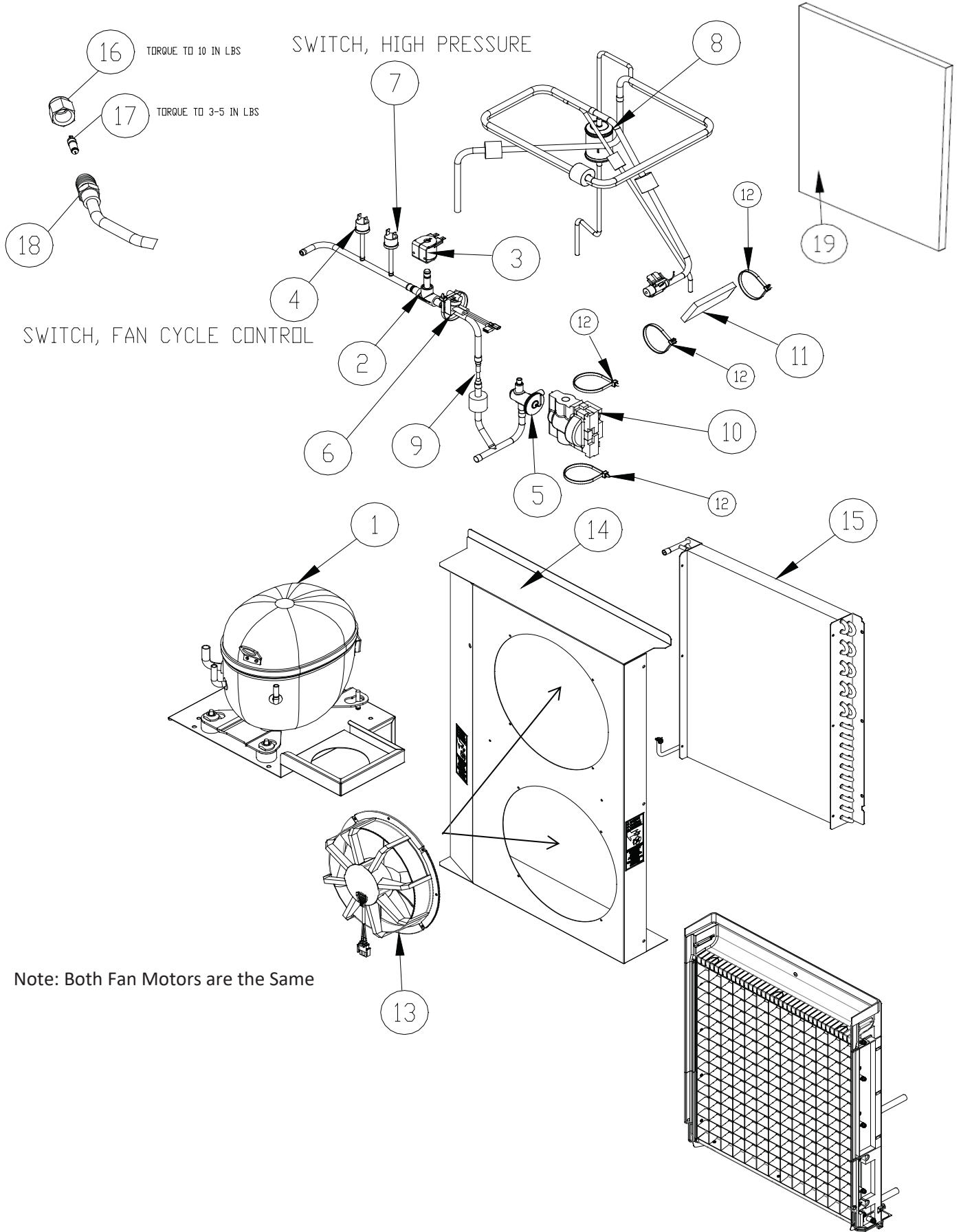
CIM0826xA-R-W / CIM1126xA-R-W - R449 REFRIGERANT

CIM Service Parts

Water System

Item No.	Model Number		Description
	CIM0826xx49	CIM1126xx49	
1	9051823-01S	9051823-01S	Lower Curtain Assembly
2	9051760-01	9051760-01	Evaporator Cover
3	9021010-05	9021010-05	Hose Clamp, Plastic
4	9051766-01	9051766-01	Water Distribution Tube Assembly
5	9051749-05	9051749-05	Water Tube, Side
5A	9051780-01	9051780-01	Water Tube Upper
6	9091177-01	9091177-01	Coupler, Straight, 5/8 I.D. Tubing
7	9051748-01	9051748-01	Water Tube, Sump
8	9051737-01	9051737-01	Sump/Water Trough
9	2062336-03S	2062336-03S	Water Pump
10	9041105-05	9041105-05	Purge Valve
11	9051738-01	9051738-01	Top Cover
12	9041108-02	9041108-02	Water Inlet Valve
13	9091140-01	9091140-01	Drain Fitting
14	9021010-04	9021010-04	Hose Clamp, Plastic
15	1051224-01	1051224-01	Float Switch Assembly (Includes Instructions)
16	9051856-01	9051856-01	Purge Valve Tubing to Drain
17	9051541-01	9051541-01	Purge Valve Tube to Inlet Outlet Bracket
18	9051739-01	9051739-01	Inlet Outlet Bracket
19	1051380-01B	1051380-01B	Evaporator-FULL Cube = 7/8 x 7/8 x 7/8
19	1051380-02B	1051380-02B	Evaporator-HALF Cube = 3/8 x 7/8 x 7/8
20	9051782-36	9051782-36	Water Inlet Valve to Inlet Outlet Bracket Tube
21	N/A	N/A	Evaporator - Grande Cube tp
22	9051001-02	9051001-02	Harvest Assist Guide
23	9051840-01	9051840-01	Poppet Valve (for the Evaporator Sump)
	2021776-01S	2021776-01S	Compressor Base (Not Shown)
	208-230/60/1	208-230/60/1	Machine Voltage

Item No.	Model Number 220-240/50/1		Machine Voltage
	CIM0825xx49	CIM1125xx49	
1	9051823-01S	9051823-01S	Lower Curtain Assembly
2	9051760-01	9051760-01	Evaporator Cover
3	9021010-05	9021010-05	Hose Clamp, Plastic
4	9051766-01	9051766-01	Water Distribution Tube Assembly
5	9051749-05	9051749-05	Water Tube, Side
5A	9051749-03	9051749-03	Water Tube Upper
6	9091177-01	9091177-01	Coupler, Straight, 5/8 I.D. Tubing
7	9051748-01	9051748-01	Water Tube, Sump
8	9051737-01	9051737-01	Sump/Water Trough
9	2062336-03S	2062336-03S	Water Pump
10	9041105-05	9041105-05	Purge Valve
11	9051738-01	9051738-01	Top Cover
12	9041108-02	9041108-02	Water Inlet Valve
13	9091140-01	9091140-01	Drain Fitting
14	9021010-04	9021010-04	Hose Clamp, Plastic
15	1051224-01	1051224-01	Float Switch Assembly (Includes Instructions)
16	9051856-01	9051856-01	Purge Valve Tubing to Drain
17	9051541-01	9051541-01	Purge Valve Tube to Inlet Outlet Bracket
18	9051739-01	9051739-01	Inlet Outlet Bracket
19	1051380-01B	1051380-01B	Evaporator-FULL Cube = 7/8 x 7/8 x 7/8
19	1051380-02B	1051380-02B	Evaporator-HALF Cube = 3/8 x 7/8 x 7/8
20	9051782-36	9051782-36	Water Inlet Valve to Inlet Outlet Bracket Tube
21	N/A	N/A	Evaporator - Grande Cube tp
22	9051001-02	9051001-02	Harvest Assist Guide
23	9051840-01	9051840-01	Poppet Valve (for the Evaporator Sump)
	2021776-01S	2021776-01S	Compressor Base (Not Shown)



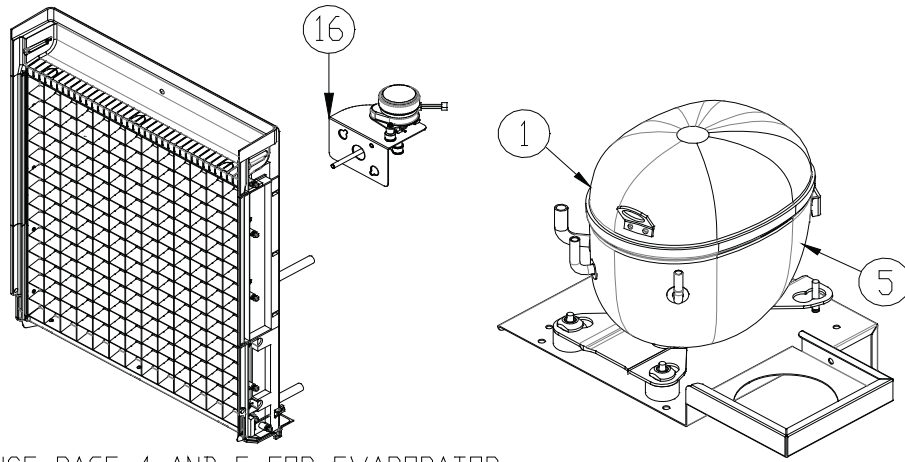
Item No.	Model Number			Description
	CIM0826xA49		CIM1126xA49	
1	9181139-11		9181240-11	Compressor
2	9151192-101		9151198-101	Hot Gas Valve Body
3	9151193-02		9151193-02	Hot Gas Valve Coil (240 V)
4	9041106-01		9041106-01	Switch, Fan Cycle
5	9151204-101		9151204-101	TXV
6	9041098-02		9041098-02	High Temp Switch
7	9041111-01		9041111-01	Switch, High Pressure
8	9151163-03		9151163-03	Drier (Included in Compressor Kit)
9	Not Used		Not Used	Restrictor
10	9021103-01		9021103-01	Strap TXV Bulb
11	9131143-02		9131143-02	Insulation Pad, Bulb
12	9021021-01		9021021-01	Cable Tie-For TXV and Bulb Insulation
13	9161150-22		9161150-22	Fan Motor Assembly
14	3013697-02		3013697-02	Fan Shroud
15	9141153-01		9141153-01	Condenser
16	9091086-03		9091086-03	Service Valve Cap
17	9091086-02		9091086-02	Service Valve Core
18	9091086-01		9091086-01	Service Valve Stem
19	9131574-02		9131574-02	Air Filter
	208-230/60/1		208-230/60/1	← Machine Voltage

Item No.	Model Number			Description
	CIM0825xA49		CIM1125xA49	
1	9181140-12		9181141-12	Compressor
2	9151192-101		9151192-102	Hot Gas Valve Body
3	9151193-02		9151193-02	Hot Gas Valve Coil (240 V)
4	9041106-01		9041106-01	Switch, Fan Cycle
5	9151204-101		9151204-101	TXV
6	9041098-02		9041098-02	High Temp Switch
7	9041111-01		9041111-01	Switch, High Pressure
8	9151163-03		9151163-03	Drier (Included in Compressor Kit)
9	Not Used		Not Used	Restrictor
10	9021103-01		9021103-01	Strap TXV Bulb
11	9131143-02		9131143-02	Insulation Pad, Bulb
12	9021021-01		9021021-01	Cable Tie-For TXV and Bulb Insulation
13	9161150-22		9161150-22	Fan Motor Assembly
14	3013697-02		3013697-02	Fan Shroud
15	9141153-01		9141153-01	Condenser
16	9091086-03		9091086-03	Service Valve Cap
17	9091086-02		9091086-02	Service Valve Core
18	9091086-01		9091086-01	Service Valve Stem
19	9131574-02		9131574-02	Air Filter
	220-240/50/1		220-240/50/1	← Machine Voltage

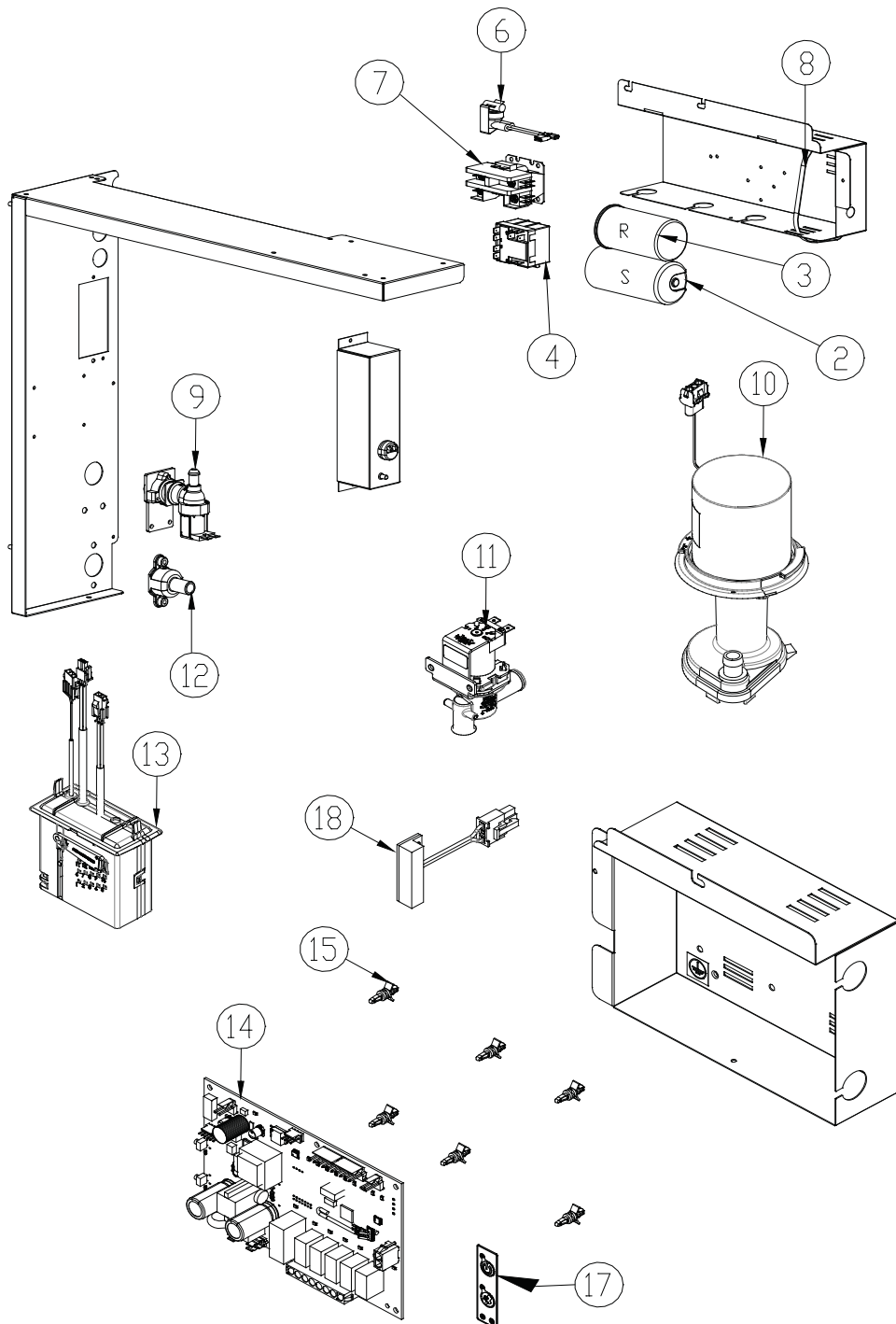
Reference Page 12 for Compressor Starting Components

Item No.	Model Number				Description
	CIM0826xR49	CIM0825xR49	CIM1126xR49	CIM1125xR49	
1	9181139-11	9181140-12	9181240-11	9181141-12	Compressor
2	9151192-101	9151192-101	9151192-102	9151192-102	Hot Gas Valve Body
3	9151193-02	9151193-02	9151193-02	9151193-02	Hot Gas Valve Coil
4	9041092-02	9041092-02	9041092-02	9041092-02	Pump Down Control
5	9151212-101	9151152-101	9151212-101	9151152-101	TXV
6	9131143-02	9131143-02	9131143-02	9131143-02	Insulation Pad, TXV
7	9021021-01	9021021-01	9021021-01	9021021-01	Cable Tie For TXV
8	9021103-01	9021103-01	9021103-01	9021103-01	Strap, TXV Bulb
9	NA	NA	NA	NA	Pressure Control Valve
10	NA	NA	NA	NA	Accumulator
11	9041098-02	9041098-02	9041098-02	9041098-02	High Temp Switch
12	9041111-01	9041111-01	9041111-01	9041111-01	Switch, High Pressure
13	9091086-03	9091086-03	9091086-03	9091086-03	Service Valve Cap
14	9091086-02	9091086-02	9091086-02	9091086-02	Service Valve Core
15	9091086-01	9091086-01	9091086-01	9091086-01	Service Valve Stem
16	9151060-01	9151060-01	9151060-01	9151060-01	Receiver
17	9151139-01	9151139-01	9151139-01	9151139-01	Check Valve
18	9151192-02	9151192-02	9151192-02	9151192-02	Liquid Line Solenoid
19	9151193-02	9151193-02	9151193-02	9151193-02	Liquid Line Coil
20	9151163-03	9151163-03	9151163-03	9151163-03	Drier (Included in Compressor Kit)
21	9091001-09	9091001-09	9091001-09	9091001-09	1/2 Inch Coupling Flange (Large)
22	9091001-12	9091001-12	9091001-12	9091001-12	1/2 Inch Coupling (Large)
23	9091001-03	9091001-03	9091001-03	9091001-03	3/8 Inch Coupling Flange (Small)
24	9091001-11	9091001-11	9091001-11	9091001-11	3/8 Inch Coupling (Small)
	208-230/60/1	220-240/50/1	208-230/60/1	220-240/50/1	← Machine Voltage

Reference Page 12 for Compressor Starting Components



REFERENCE PAGE 4 AND 5 FOR EVAPORATOR



Item No.	Model Number			Reference Page 12 for Compressor Components	Description
	CIM826xA49	CIM1126xA49	CIM1126xR49		
	6	9041098-02	9041098-02		
7	9101002-06	9101002-06	9101002-06	Contactactor	
8	9021096-01	9021096-01	9021096-01	Cable Tie, Metal	
9	9041108-02	9041108-02	9041108-02	Valve, Water Inlet	
10	2062336-03S	2062336-03S	2062336-03S	Water Pump	
11	9041105-05	9041105-05	9041105-05	Purge Valve	
12	9091140-01	9091140-01	9091140-01	Purge Drain	
13	1051224-01	1051224-01	1051224-01	Float Switch Assembly (Includes Instructions)	
14	9101414-01	9101414-01	9101414-01	Board Dual Voltage	
15	9051698-01P	9051698-01P	9051698-01P	Plastic Standoff, Control Board (Pkg of 10)	
16	9161134-02	9161134-02	9161134-02	Harvest Assist	
17	9101394-01	9101394-01	9101394-01	Membrane Switch	
18	9101379-01	9101379-01	9101379-01	Switch, Magnetic Reed (Bin Control On Evap)	
	208-230/60/1	208-230/60/1	208-230/60/1	← Machine Voltage	

Item No.	Model Number			Reference Page 12 for Compressor Components	Description
	CIM825xA49	CIM1125xA49	CIM1125x49		
	6	9041098-02	9041098-02		
7	9101002-08	9101002-08	9101002-08	Contactactor	
8	9021096-01	9021096-01	9021096-01	Cable Tie, Metal	
9	9041108-02	9041108-02	9041108-02	Valve, Water Inlet	
10	2062336-03S	2062336-03S	2062336-03S	Water Pump	
11	9041105-05	9041105-05	9041105-05	Purge Valve	
12	9091140-01	9091140-01	9091140-01	Purge Drain	
13	1051224-01	1051224-01	1051224-01	Float Switch Assembly (Includes Instructions)	
14	9101414-01	9101414-01	9101414-01	Board Dual Voltage	
15	9051698-01P	9051698-01P	9051698-01P	Plastic Standoff, Control Board (Pkg of 10)	
16	9161134-02	9161134-02	9161134-02	Harvest Assist	
17	9101394-01	9101394-01	9101394-01	Membrane Switch (Includes Cable)	
18	9101379-01	9101379-01	9101379-01	Switch, Magnetic Reed (Bin Control On Evap)	
	220-240/50/1	220-240/50/1	220-240/50/1	← Machine Voltage	

CIM Service Parts CIM0826xA-R / CIM1126xA-R - R449 REFRIGERANT Compressor

CIM0826xA49	CIM0826xR49	CIM1126xA49	CIM1126xR49		Model Number
9181139-11	9181139-11	9181240-11	9181240-11		Compressor
9181003-07	9181003-07	9181003-44	9181003-44		Start Capacitor
9181009-16	9181009-16	9181009-12	9181009-12		Run Capacitor
9181010-12	9181010-12	9181010-10	9181010-10		Potential Relay
Internal	Internal	Internal	Internal		Overload
CIM0825xA49	CIM0825xR49	CIM1125xA49	CIM1125xR49		Model Number
9181140-12	9181140-12	9181141-12	9181141-12		Compressor
9181003-32	9181003-32	9181003-07	9181003-07		Start Capacitor
9181009-17	9181009-17	9181009-12	9181009-12		Run Capacitor
9181010-04	9181010-04	9181010-12	9181010-12		Potential Relay
Internal	Internal	Internal	Internal		Overload