

PROJECT: \_\_\_\_\_  
 ITEM # \_\_\_\_\_ QTY: \_\_\_\_\_  
 MODEL # \_\_\_\_\_  
 AIA # \_\_\_\_\_ SIS # \_\_\_\_\_

## ELEVATION SERIES™ CUBE ICE MAKER

### CIM1126FA49



### Features and Benefits

- Modular design with dual exhaust for flexible application and easy installation on top of bins or dispensers.
- Easy to clean with front facing evaporator.
- Dishwasher safe plastic components (up to 180°F).
- Easy and quick cleaning reducing operating costs.
- Simple to service with many common parts across all CIM machines.
- Harvest Assist provides consistent ice production for the life of the ice maker while reducing energy consumption and increasing capacity.
- Electroless nickel plating on all evaporator plates ensures reliability and durability.
- Constructed from corrosion-resistant and fingerprint-proof aluminum.



| ICE FORMS |                     |
|-----------|---------------------|
| FULL CUBE | 7/8 x 7/8 x 7/8 in. |
|           | 22 x 22 x 22 mm     |

| BIN CHART  |                  |                  |                  |                  |                  |                    |                    |                    |                    |
|--|------------------|------------------|------------------|------------------|------------------|--------------------|--------------------|--------------------|--------------------|
| Model #  | B40              | B42              | B55              | B700-30          | B110             | B1000-48           | B1300-48           | B1325-60           | B1660-60           |
| capacity   | 344 lbs (156 kg) | 351 lbs (160 kg) | 510 lbs (232 kg) | 680 lbs (308 kg) | 854 lbs (388 kg) | 1,000 lbs (454 kg) | 1,320 lbs (599 kg) | 1,325 lbs (601 kg) | 1,660 lbs (753 kg) |
| width  | 30 in (762 mm)   | 22 in (559 mm)   | 30 in (762 mm)   | 30 in (762 mm)   | 48 in (1,219 mm) | 48 in (1,219 mm)   | 48 in (1,219 mm)   | 60 in (1,524 mm)   | 60 in (1,524 mm)   |
| Kit for combining wider bins with smaller models | KBT19            | Kit Not Required | KBT19            | Kit Not Required | KBT23C           | Kit Not Required   | Kit Not Required   | Kit Not Required   | Kit Not Required   |

See Ice-O-Matic Price List for Adapter Kits to combine ice makers with most available ice/beverage dispensers.



CIM1126FA49 shown atop of bin B42 (sold separately)

### Warranty

- Ice Maker: **3 years parts and labor**
- Evaporator and Compressor: **5 years parts**
- Evaporator: **7 Years Parts and Labor** (if enrolled in the filter program)

### Options & Accessories

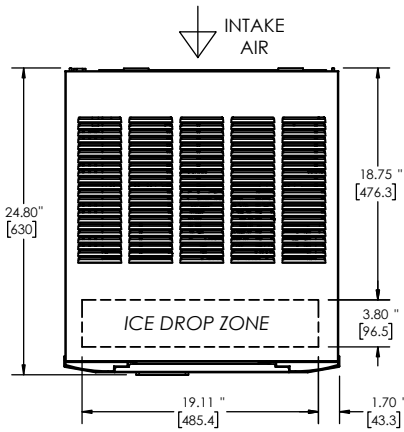
- KCUBEDISPB for ice level control for a dispenser - verify adaptor with disp. manufacturer
- KBT222 for mounting twins on a B110

### Water Filter

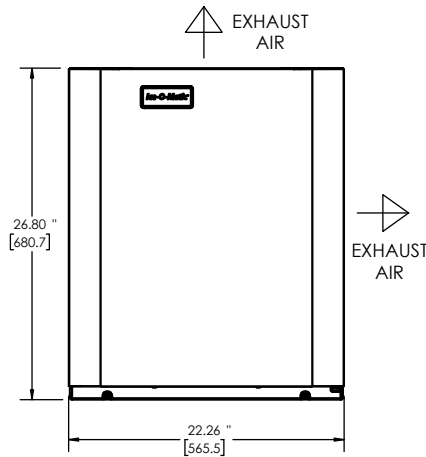
- Manifold System IFQ2 gets replacement filter IOMQ (2)

Line drawing note: Numbers with quote symbol " are in inches. Numbers enclosed in [brackets] are in millimeters.

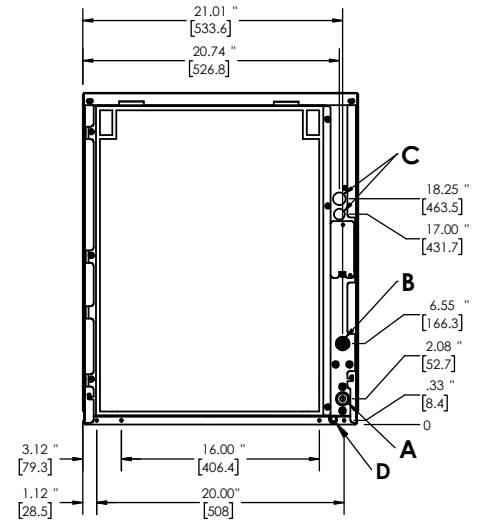
PLAN / TOP VIEW



ELEVATION / FRONT VIEW



UTILITIES / BACK VIEW



Air Cooled

- A. Ice Maker Drain, 3/4" FPT
- B. Ice Maker Potable Water Inlet, 3/8" FPT
- C. Electrical Connection,  $\Phi$ .875" [22.2] (2)
- D. Condensate Base Drain,  $\Phi$ .50" [12.7]

| SPECIFICATIONS                                  |                      |  |                              |
|---|----------------------|--|------------------------------|
| Model   | CIM1126FA49          | Ice Production per 24 hrs                                    |                              |
| Condensing Type                                 | Air                  | 70° air / 50° water lbs (kg)                                 | 90° air / 70° water lbs (kg) |
| Voltage/Hertz/Phase                             | 208-230/60/1         | 960 (435)  | 740 (336)                    |
| Min. Circuit Amp                                | 13.8 A               | Water Usage gallons per 100 lbs of ice 90°F air / 70°F water |                              |
| Max Breaker Size                                | 20 A                 | Potable  | Condenser                    |
| KWH per 100 lbs of ice at 70°F air / 50°F water | 3.4                  | 18   | N/A                          |
| KWH per 100 lbs of ice at 90°F air / 70°F water | 4.69                 | Refrigeration Charge 40 oz                                   |                              |
| BTU (approx per hour)                           | 17400                |  |                              |
| Number of Wires                                 | 3 (including ground) |  |                              |
| Refrigerant                                     | R449A                |  |                              |

| OPERATING REQUIREMENTS  |                   |                   |
|-------------------------|-------------------|-------------------|
|                         | MINIMUM           | MAXIMUM           |
| Ambient Temp. Range Air | 50°F (10°C)       | 100°F (38°C)      |
| Water Temp              | 40°F (4°C)        | 100°F (38°C)      |
| Water Pressure          | 20 PSIG (1.4 BAR) | 80 PSIG (5.5 BAR) |

| DIMENSIONS                |                                 |           |
|---------------------------|---------------------------------|-----------|
| Unit Width                | 22.25 in.                       | 565.15 mm |
| Unit Depth                | 24.25 in.                       | 615.95 mm |
| Unit Height               | 26.9 in.                        | 683.26 mm |
| Shipping Weight           | 197 lbs / 89 kg                 |           |
| Shipping Dimensions (in.) | 25 (W) x 27 (D) x 33 (H)        |           |
| Shipping Dimensions (mm)  | 635 (W) x 685.8 (D) x 838.2 (H) |           |