

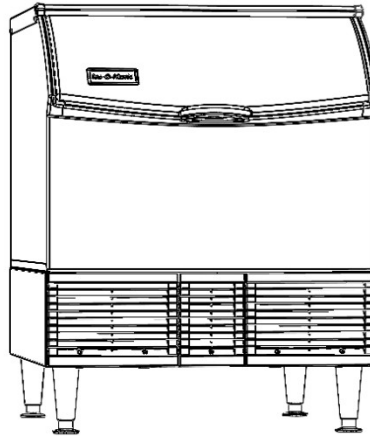
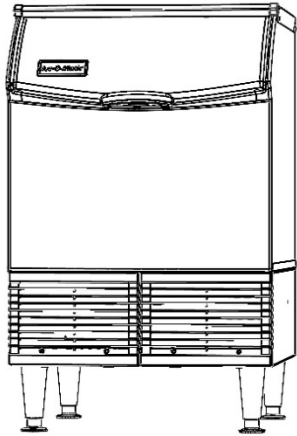


Ice-O-Matic®

THE CHOICE IS CLEAR

Service Parts Manual

CIMU Undercounter Cuber with R290 Refrigerant 220lbs to 300lbs Nominal Daily Capacity



MODELS

CIMU220FA90

CIMU220HA90

CIMU300FA90

CIMU300HA90

TABLE OF CONTENTS

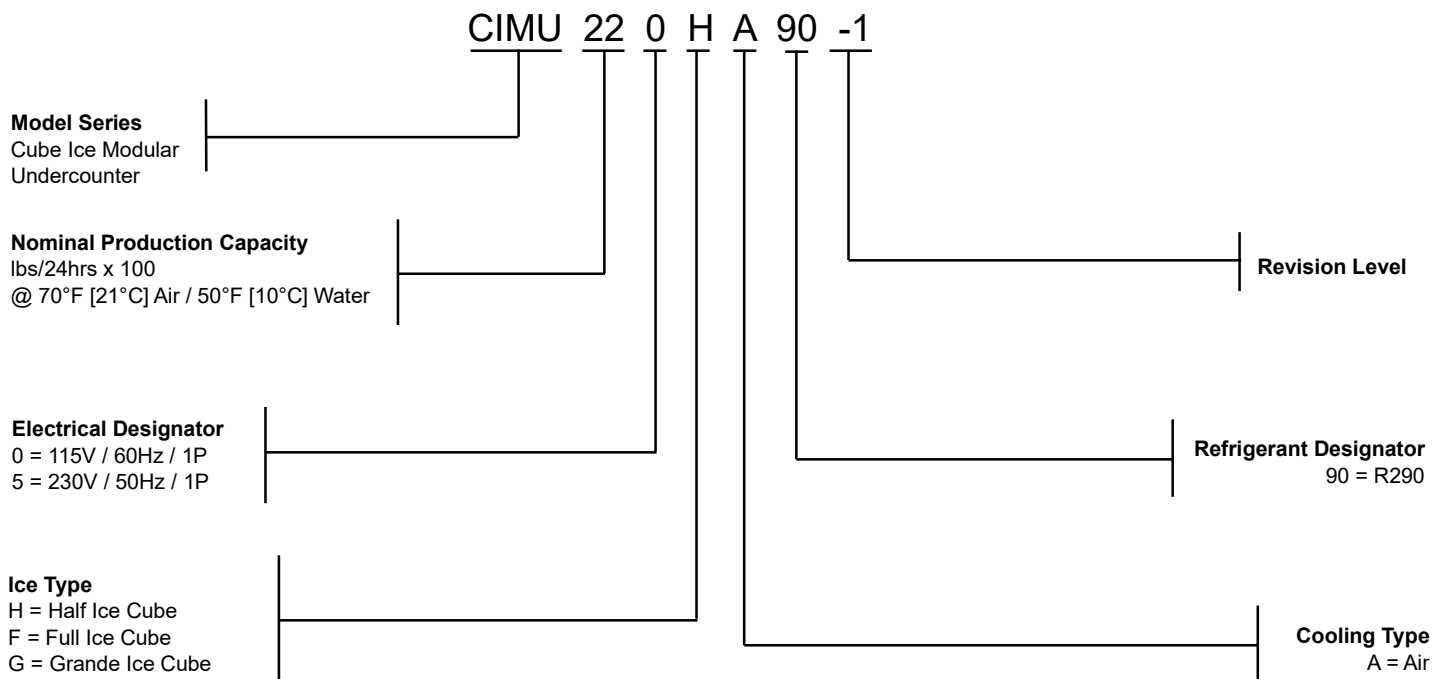
Model List.....	2
Model Nomenclature.....	2
Bin and Exterior Components.....	3
Water System	5
Refrigeration System.....	7
Electrical System	9

MODEL LIST

This parts list contains the service parts available for the following CIMU ice makers.

Model
CIMU220
CIMU300

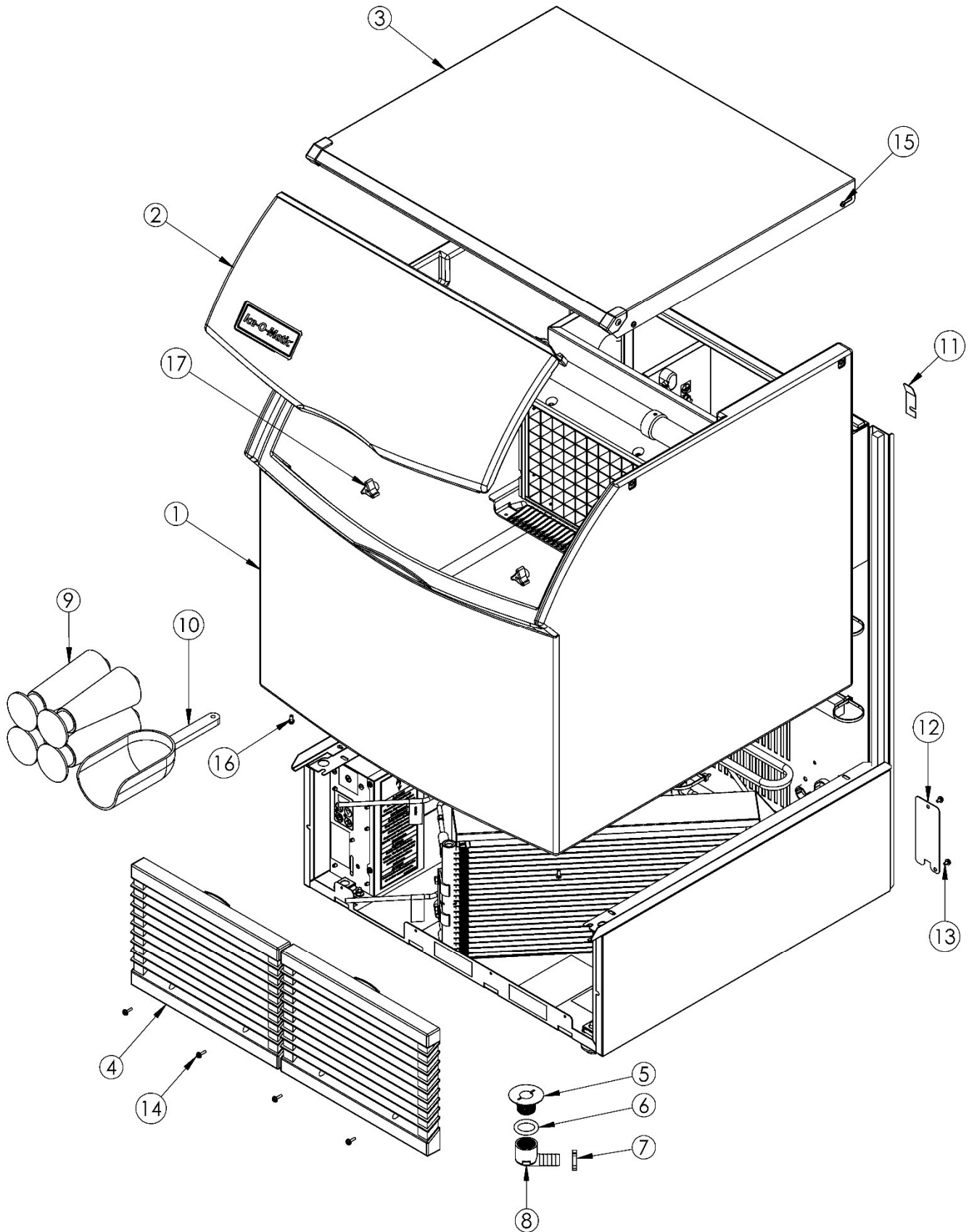
MODEL NOMENCLATURE



Check the model number on the data plate and refer to the correct listing for the specific component.

Check carefully that the correct part is identified and ordered.

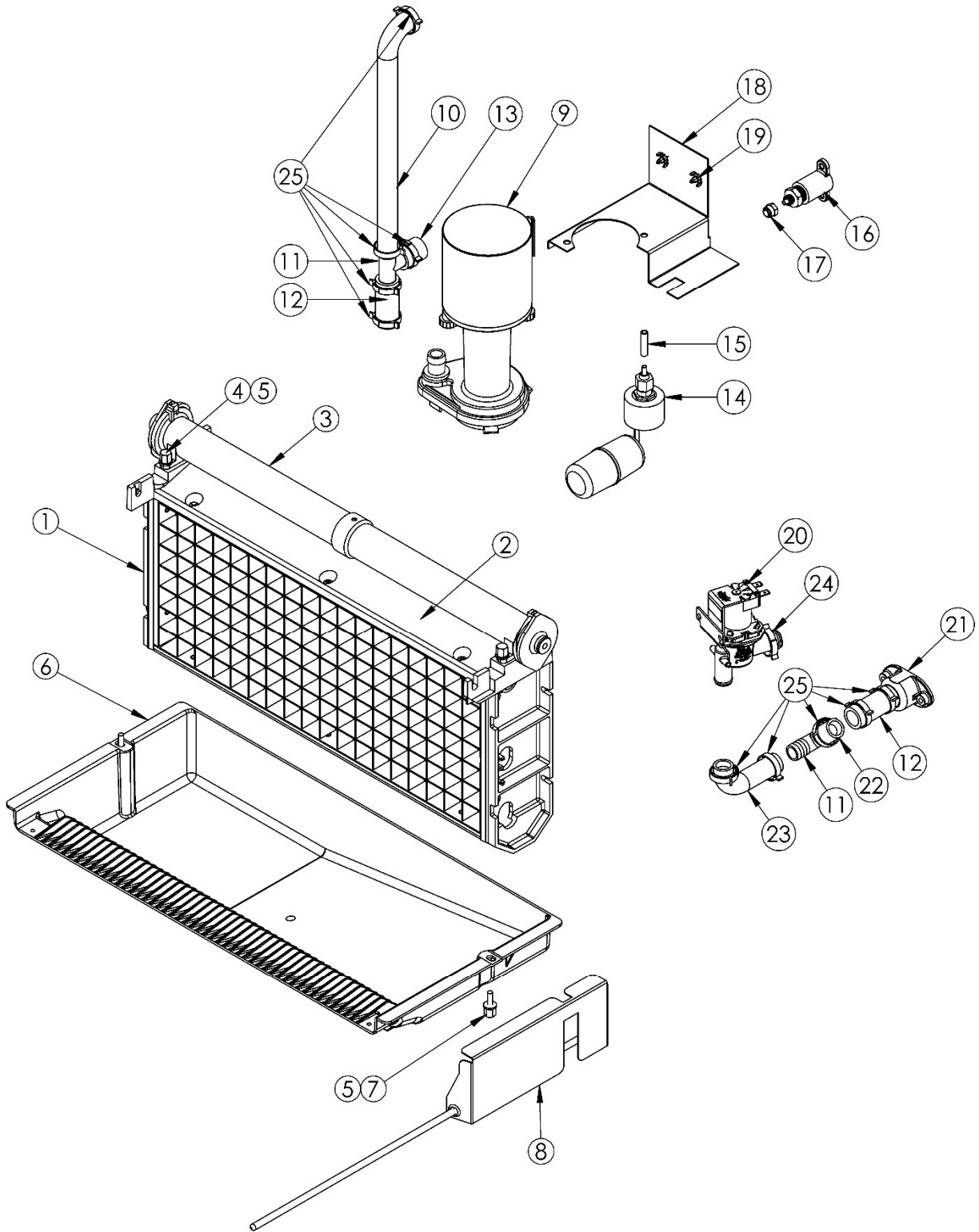
Bin and Exterior Components



Bin and Exterior Components

Item No.	Model		Description
	CIMU220A	CIMU300A	
1	2101419-01	2101400-01	Bin Assembly
2	2101519-01	2101520-01	Bin Door Assembly
3	2101426-01	2101429-01	Top Panel Assembly
4	9051530-01	9051530-01	Front Grill (2 per machine, sold each)
		9051531-01	Center Grill (not shown)
5	9051126-01	9051126-01	Bin Drain Fitting
6	9051887-01	9051887-01	O-Ring Seal
7	9021010-04	9021010-04	Hose Clamp
8	9091197-01	9091197-01	Bin Drain Elbow
9	9021001-04	9021001-04	Leg Set (pack of 4)
10	9051127-02	9051127-02	Ice Scoop
11	3014017-01	3014017-01	Grounding Bracket
12	3013674-01	3013674-01	Junction Box Cover
13	9031046-30	9031046-30	Junction Box Cover Screw
14	9031046-03P	9031046-03P	Front Grill Screw (10 pack)
15	9031008-46P	9031008-46P	Top Panel Screw (10 pack)
16	9031112-01P	9031112-01P	Bin Mounting Screw (10 pack)
17	9031162-01	9031162-01	Thumb Nut Three Prong

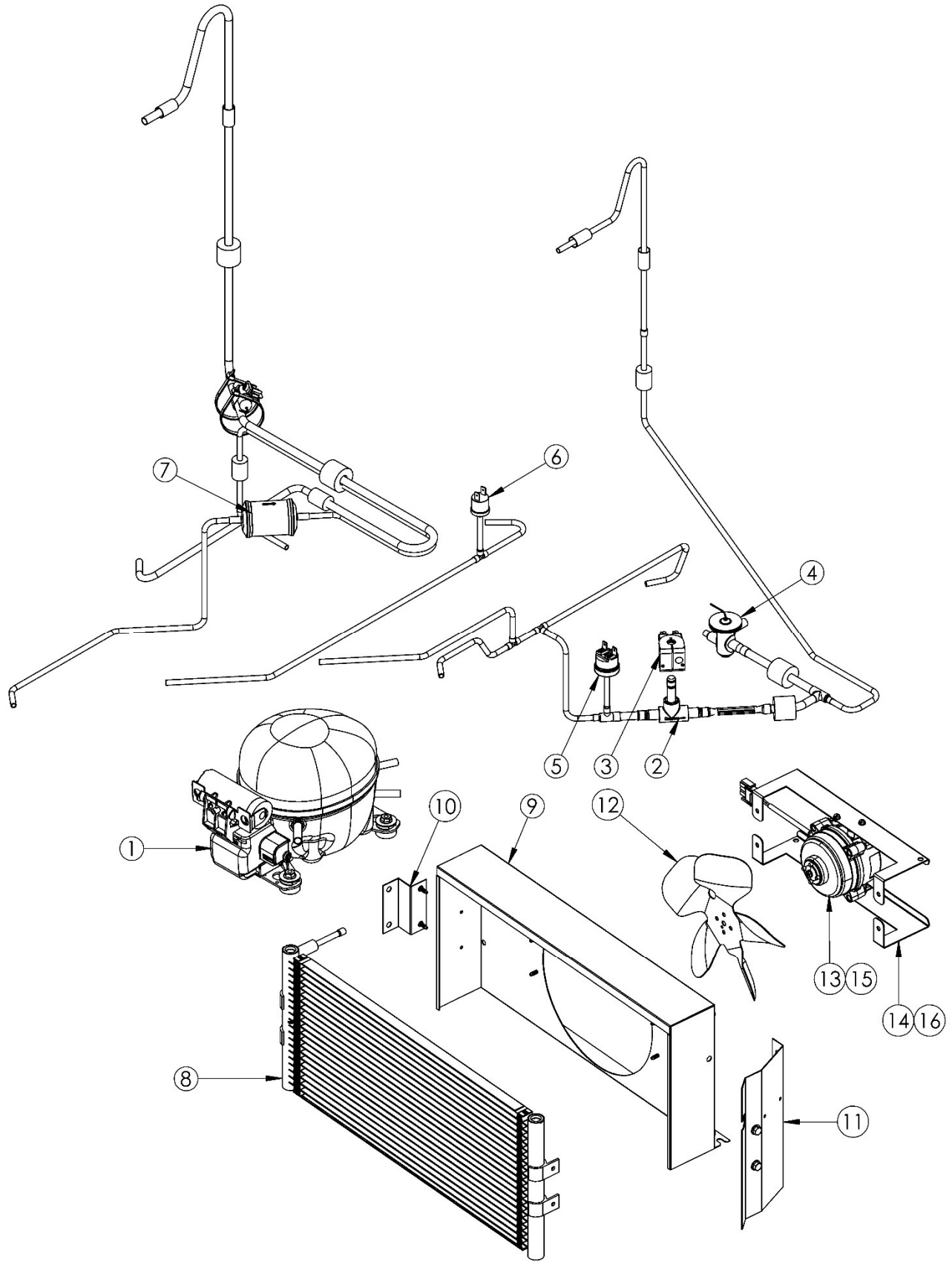
Water System



Water System

Item No.	Model		Description
	CIMU220A	CIMU300A	
1	2051231-01S	2051231-01S	Evaporator Assembly - Full Cube (shown) (Items 3, 4, 5 not included)
	2051231-02S	2051231-02S	Evaporator Assembly - Half Cube (Items 3, 4, 5 not included)
2	9051135-05	9051135-05	Evaporator Spillway
3	2041338-01	2041338-01	Water Distribution Tube
4	9031122-01	9031122-01	Water Dist. Thumbscrew
5	9031004-19	9031004-19	Rubber Washer
6	9051149-02	9051149-02	Water Trough
7	9031122-02	9031122-02	Water Trough Thumbscrew
8	2021703-01S	2021703-01S	Bin Stat Bracket Assy
9	9161076-01	9161076-01	Water Pump
10	9051280-05	9051280-05	Pump to Water Dist Tube
11	9091024-01	9091024-01	Plastic Barbed Tee 5/8
12	3051223-02	3051223-02	Hose PVC 5/8 - 2" Long
13	9051877-37	9051877-37	Pump to Purge Valve Tube - 37" Long
14	9131111-101	9131111-101	Float Valve Kit
15	3032898-08	3032898-08	Polyethylene Tube 1/4 O.D. - 8" Long
16	2101476-01	2101476-01	Water Inlet Fitting Assy
17	9091083-03	9091083-03	Water Inlet Nut
18	3012847-01	3012847-01	Pump Bracket
19	9031141-01	9031141-01	Plastic Nut
20	9041105-04	9041105-04	Purge Valve
21	9091140-01	9091140-01	Drain Fitting
22	3051222-20	3051222-24	Bin Drain Tube
23	9051280-13	9051280-13	Purge Drain Tube
24	9021010-05	9021010-05	Hose Clamp
25	9021010-04	9021010-04	Hose Clamp

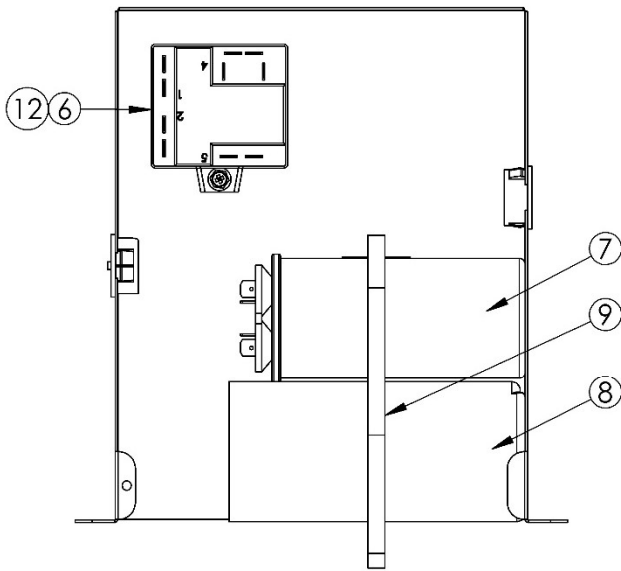
Refrigeration System



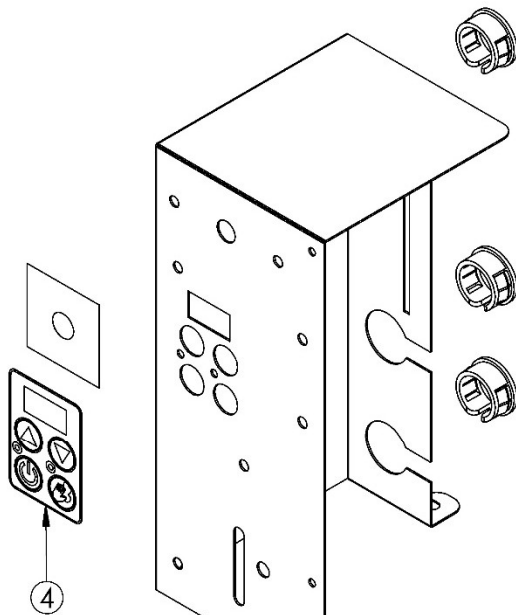
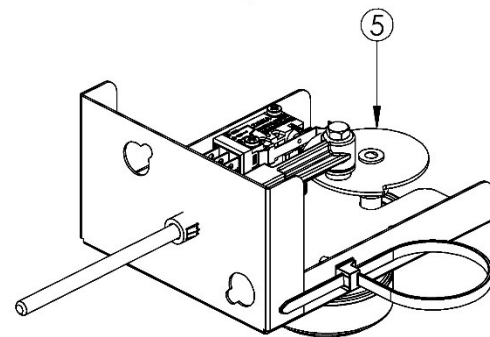
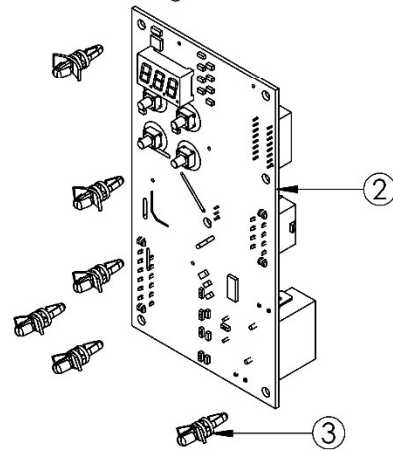
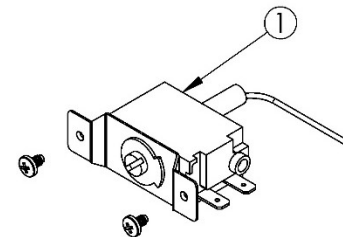
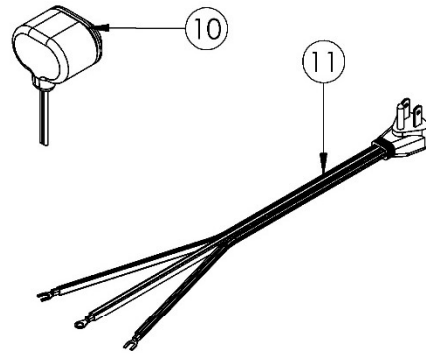
Refrigeration System

Item No.	Model		Description
	CIMU220A	CIMU300A	
1	9181211-101	9181222-101	Compressor Kit
2	9151192-01	9151192-01	Hot Gas Valve Body
3	9151193-01	9151193-01	Hot Gas Valve Coil
4	9151216-101	9151216-101	TXV Kit
5	9041124-01	9041124-01	High Pressure Safety Switch
6	9041123-01	9041123-01	Low Pressure Control, R290
7	9151163-01	9151163-01	Filter Drier
8	9141176-01	9141176-01	Condenser
9	3013908-01	3013908-02	Fan Shroud
10	3013911-01	3014010-01	Left Shroud Bracket
11	3013947-01	3013947-01	Right Shroud Bracket
12	9131446-01	9131446-01	Fan Blade (CIMU300A qty. 2)
13	9161150-31	9161150-11	Fan Motor (CIMU300A qty. 2)
14	3013875-01	3013874-01	Fan Bracket (2 per machine)
15	9031112-01P	9031112-01P	Fan Motor Screw (10 pack)
16	9031046-01P	9031046-01P	Fan Bracket Screw (10 pack)
	Compressor Starting Components (Included in Comp Kit)		
	9181003-67	9181003-50	Start Capacitor
		9181009-17	Run Capacitor
	9181004-36	9181010-42	Compressor Relay
	9181169-03	Internal	Overload

Electrical System



ELECTRICAL BOX ASSEMBLY



CONTROL BOARD BOX ASSEMBLY

Electrical System

Item No.	Model		Description
	CIMU220A	CIMU300A	
1	9041126-01	9041126-01	Bin Thermostat, R290
2	9101508-01	9101508-01	Control Board
3	9051698-01P	9051698-01P	Plastic Standoff (10 pack)
4	9051886-01	9051886-01	Button Overlay
5	2062398-01	2062398-01	Harvest Assist Assy
6		9181010-42	Compressor Relay
7		9181009-17	Run Capacitor
8		9181003-50	Start Capacitor
9		9021096-01	Cable Tie, Metal
10	9101218-16	9101218-16	Water Pump Cord
11	9101242-01	9101242-01	Power Cord w/ Plug
12	9031046-03P	9031046-03P	Compressor Relay Screw (10 pack)
	Wire Harnesses (Not Shown)		
	9101509-01	9101509-01	Wire Harness - Line Voltage
	9101510-01	9101510-01	Wire Harness - Signal Voltage
		9101518-01	Wire Harness - Compressor Start Components
		9101519-01	Wire Harness - Dual Fan