

PROJECT: \_\_\_\_\_  
 ITEM # \_\_\_\_\_ QTY: \_\_\_\_\_  
 MODEL # \_\_\_\_\_  
 AIA # \_\_\_\_\_ SIS # \_\_\_\_\_

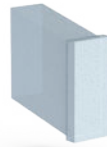
## CIM UNDERCOUNTER

### CIMU300HA90



#### Features and Benefits

- Durable nickel-plated evaporator plates for long-lasting, reliable ice production.
- Front-breathing design allows installation in tight or enclosed spaces.
- Harvest Assist technology helps maintain consistent ice production while reducing energy use.
- Corrosion-resistant, fingerprint-resistant stainless steel exterior for durability and easy cleaning.
- One-Touch Cleaning makes routine maintenance fast and simple.
- Easy-to-read control display for quick adjustments, cleaning, and status checks



ICE FORMS	
HALF CUBE	3/8 x 7/8 x 7/8 in.
	10 x 22 x 22 mm



#### Warranty

- Ice Maker: **3 Years Parts and Labor**
- Evaporator and Compressor: **5 Years Parts**
- Evaporator: **7 Years Parts and Labor**  
(if enrolled in the filter program for US & Canada)

#### Water Filter

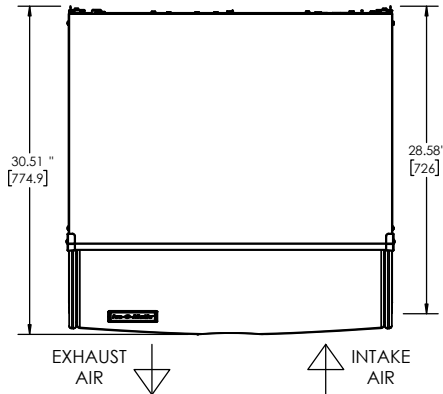
- Manifold System IFQ1-S gets replacement filter IOMQ-S



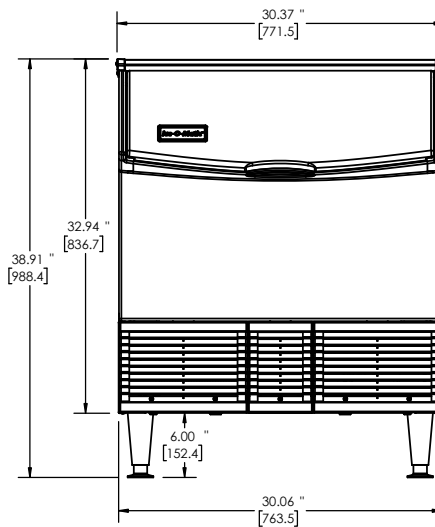
STORAGE CAPACITY	
Capacity	112 lbs (50.8 kg)
Width	30.34 in (771 mm)

Line drawing note: Numbers with quote symbol " are in inches. Numbers enclosed in [brackets] are in millimeters.

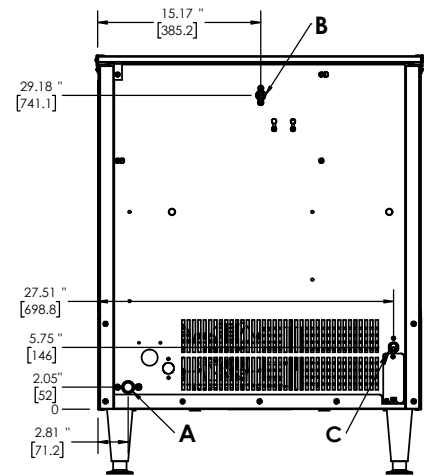
PLAN / TOP VIEW



ELEVATION / FRONT VIEW



UTILITIES / BACK VIEW



Air Cooled

- A. Ice Maker Drain, 3/4" FPT
- B. Ice Maker Potable Water Inlet, 3/8" FPT
- C. Electrical Connection, 7/8" Hole  
(Cord on 115V Models)

**SPECIFICATIONS**

Model	CIMU300HA90	Ice Production per 24 hrs	
Condensing Type	Air	70° air / 50° water lbs (kg)	90° air / 70° water lbs (kg)
Voltage/Hertz/Phase	115/60/1	302 (137)	234 (106)
Min. Circuit Amp	10.6 A	Water Usage gallons per 100 lbs of ice 90°F air / 70°F water	
Max Breaker Size	15 A		
kWH per 100 lbs of ice at 70°F air / 50°F water	4.4	Potable	Condenser
kWH per 100 lbs of ice at 90°F air / 70°F water	6.35	23.7	N/A
BTU (approx per hour)	4590		
Number of Wires	3 (including ground)		
Refrigerant	R290A		
Refrigeration Charge	70 g		

**OPERATING REQUIREMENTS**

	MINIMUM	MAXIMUM
Ambient Temp. Range Air	50°F (10°C)	100°F (38°C)
Water Temp	40°F (4°C)	100°F (38°C)
Water Pressure	20 PSIG (1.4 BAR)	60 PSIG (4.1 BAR)

**DIMENSIONS**

Unit Width	30.34 in.	771 mm
Unit Depth	29.97 in.	761 mm
Unit Height	39 in.	991 mm
Shipping Weight	192 lbs / 87 kg	
Shipping Dimensions (in.)	33 (W) x 33 (D) x 39 (H)	
Shipping Dimensions (mm)	838.2 (W) x 838.2 (D) x 990.6 (H)	