

ELMECO



PARTS MANUAL

English Version 60hz



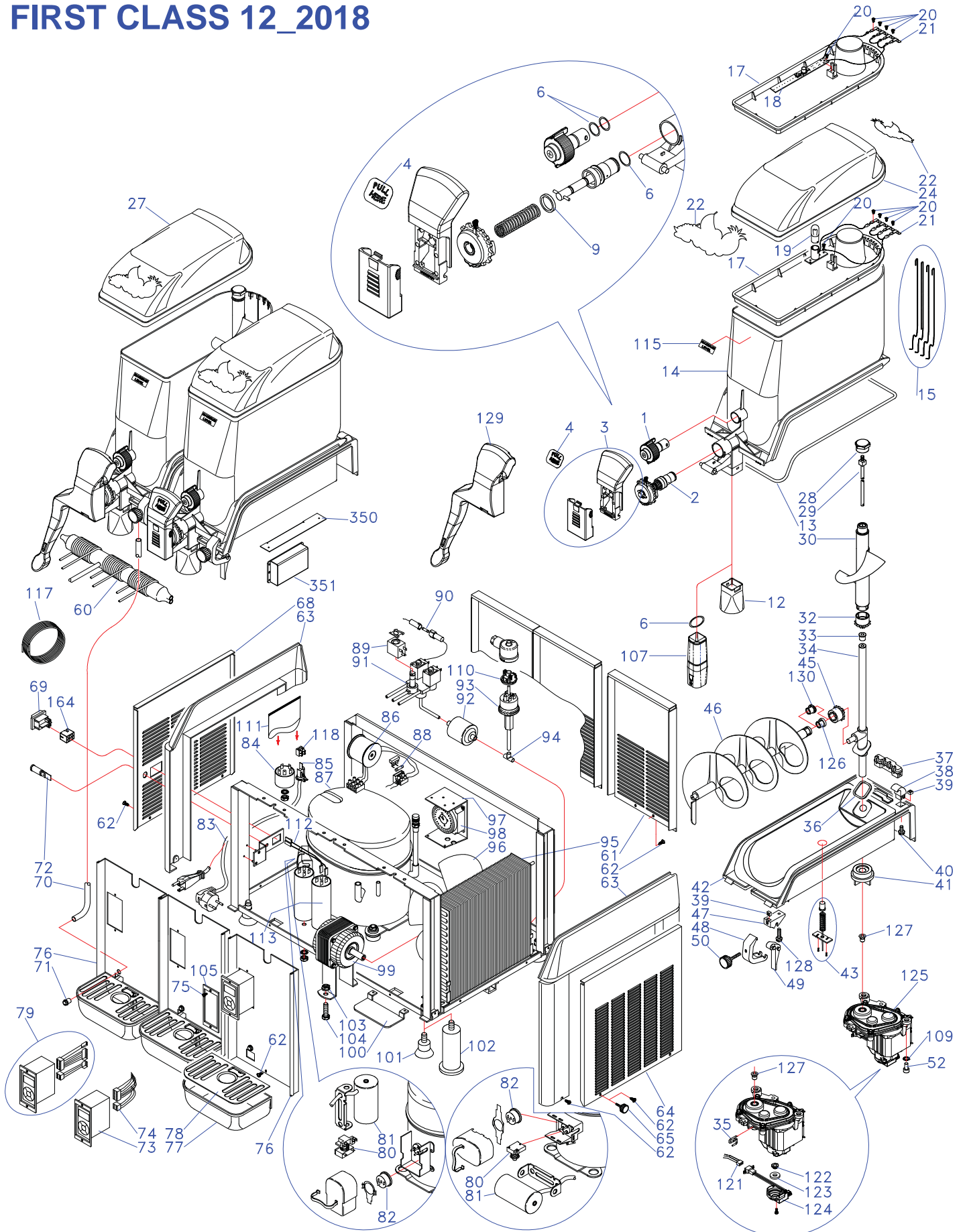
7790 Sears Blvd.
Pensacola, FL 32514
PH: (850) 474-1784
FX: (850) 477-2458

SALES@gulficesystems.com
PARTS@gulficesystems.com

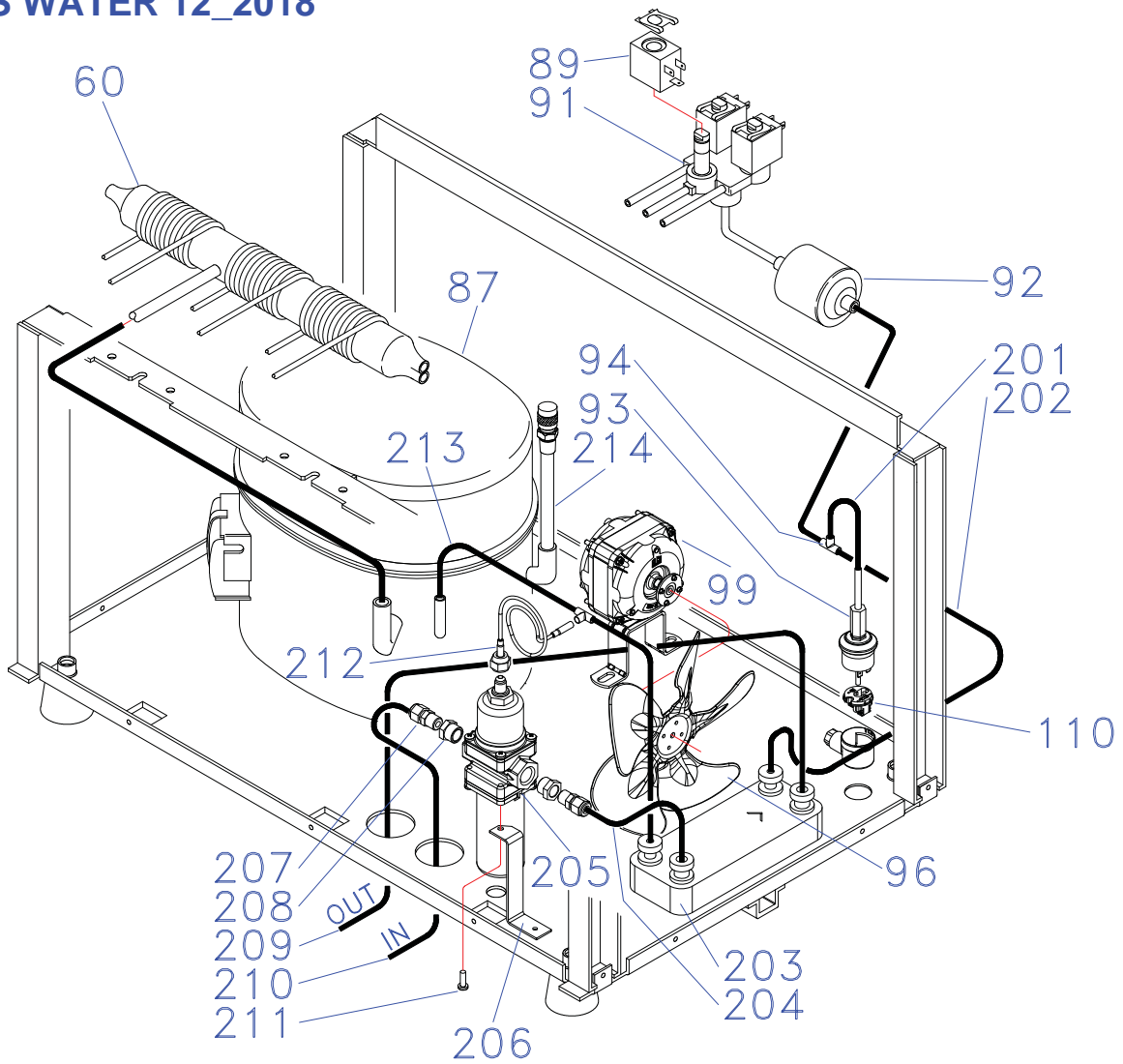
Find Elmeco First Class Dispensers and parts at:
gulficesystems.com

1-800-322-4853

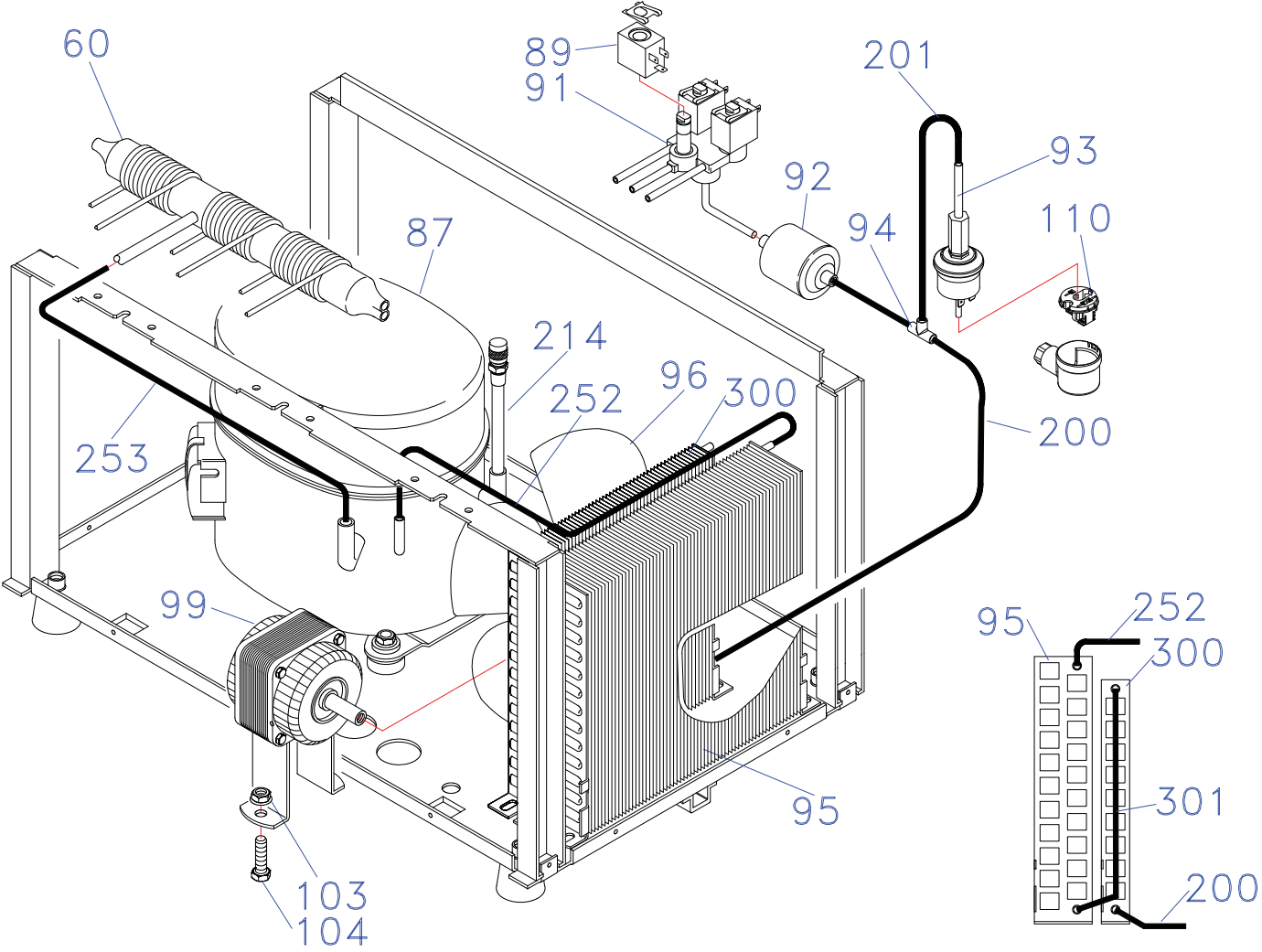
FIRST CLASS 12_2018



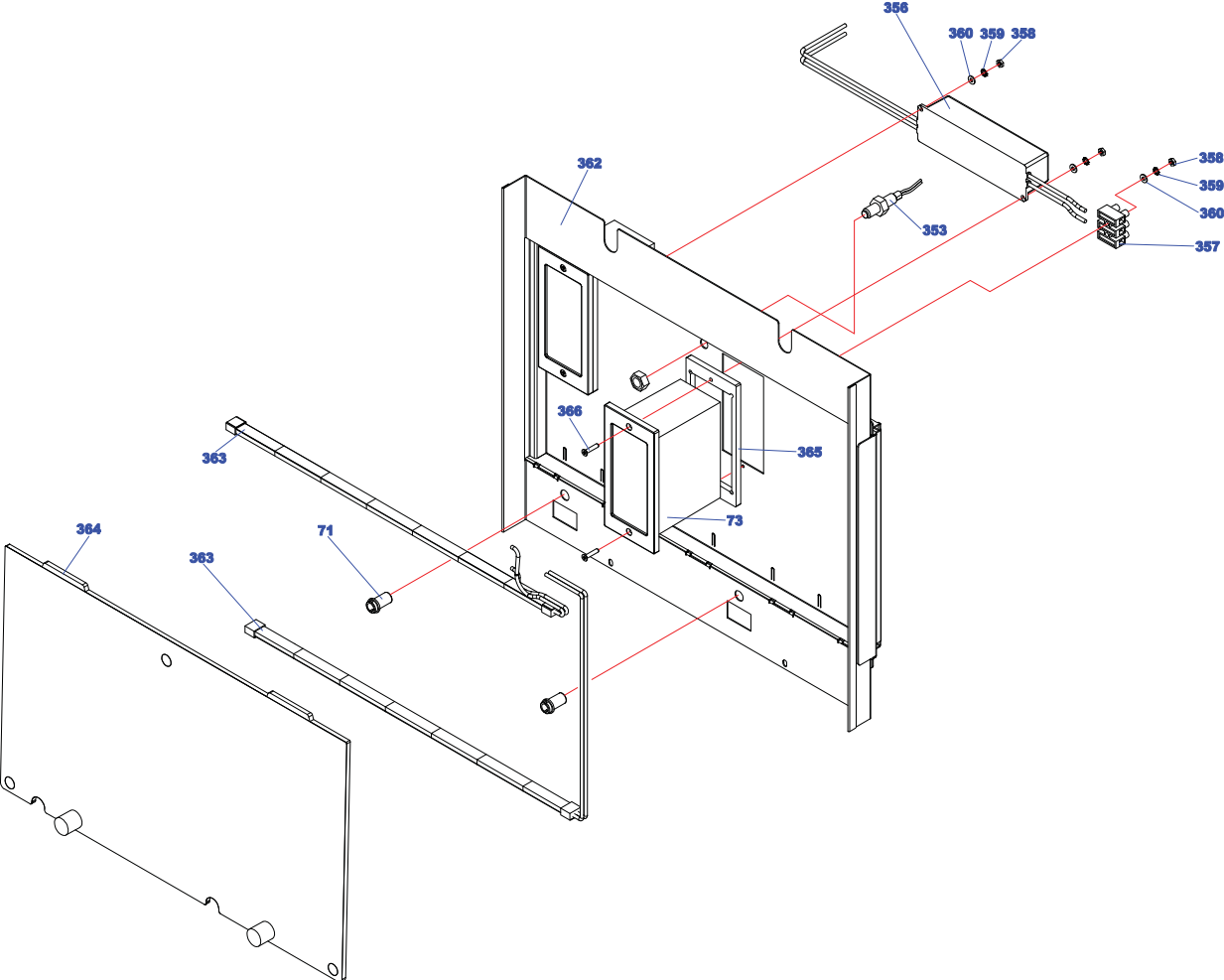
FIRST CLASS WATER 12_2018



FIRST CLASS TROPICAL 12_2018



FIRST CLASS 2 FRONT LED PANEL 12_2018



FIRST CLASS: Spare Part List 2018 Rev.07

PART #	ESP		DESCRIPTION	FC1	FC2	FC3	115/ 60		220/ 60	
M0004109-002	1		RING NUT HORIZONTAL AUGER 2012 VERSION	*	*	*	*		*	
M0003126-003	2		RING NUT LEVER COVER PISTON 2014 VERSION (GLASS FABER)	*	*	*	*		*	
M0003126-001	2		RING NUT LEVER COVER PISTON (STAINLESS STEEL AXE)	*	*	*	*		*	
M0003139-001	3		BLACK HANDLE AND COVER 2012 VERSION	*	*	*	*		*	
A0006111-001	4		"PULL HERE" STICKER	*	*	*	*		*	
OR13000117	6		O-RING 117	*	*	*	*		*	
M0003117-001	9		OUTLET BACK GASKET	*	*	*	*		*	
M0006134-001	12		DISPENSING SPOUT	*	*	*	*		*	
M0006134-002	12		DISPENSING SPOUT CUP VERSION	*	*	*	*		*	
M0000106-001	13		GASKET TRANSPARENT TANK	*	*	*	*		*	
M0000147-001	14		TRANSPARENT TANK COMPLETE OF PIN DRAIN LEVER	*	*	*	*		*	
M0005159-001	15		LOW VOLTAGE CONTACT WIRES KIT	*	*	*	*		*	
M0006108-001	17		LAMP GLASS	*	*	*	*		*	
ME005101-001	18		9 LED LAMP 12VAC	*	*	*	*		*	
LAMPADA10W	19		LAMP 10Watt/12Vac	*	*	*	*		*	
VTTTC2.9X9.5CR	20		SCREW TC 2.9X9.5	*	*	*	*		*	
M0005109-001	21		12V CONTACT FOR TANK	*	*	*	*		*	
M0006129-001	22		PLASTIC LENS STICKER	*	*	*	*		*	
M0006193-004	24		BLACK LID NEW	*	*	*	*		*	
M0006193-005	24		YELLOW LID NEW	*	*	*	*		*	
M0006193-006	24		BLUE LID NEW	*	*	*	*		*	
M0006125-019	27		KEC BLACK TOP LIGHT COVER COMPLETE	*	*	*	*		*	
M0006125-017	27		BLACK TOP LIGHT COVER COMPLETE NO STICKERS	*	*	*	*		*	

FIRST CLASS: Spare Part List 2018 Rev.07

PART #	ESP		DESCRIPTION	FC1	FC2	FC3	115/ 60		220/ 60	
M0006125-013	27		NESTLE' BLU TOP LIGHT COVER COMPLETE 10W	*	*	*	*		*	
M0006125-018	27		BLU TOP LIGHT COVER COMPLETE NO STICKERS	*	*	*	*		*	
M0006125-005	27		BLACK TOP LIGHT COVER COMPLETE	*	*	*	*		*	
M0006125-007	27		SLUSH PUPPIE CANADA TOP LIGHT COVER COMPLETE	*	*	*	*		*	
M0006125-008	27		YELLOW TOP LIGHT COVER COMPLETE	*	*	*	*		*	
M0006125-012	27		BLU TOP LIGHT COVER COMPLETE 10W	*	*	*	*		*	
M0006125-002	27		RED TOP LIGHT COVER COMPLETE	*	*	*	*		*	
M0000107-001	28		FC/BB RING NUT VERTICAL PROPELLER	*	*	*	*		*	
M0000108-001	29		TRANSMISSION SHAFT WITH NUT	*	*	*	*		*	
M0004111-001	30		VERTICAL AUGER COMPLETE OF BUSHING	*	*	*	*		*	
M0004104-001	32		PINION VERTICAL AUGER UNTIL S/N 140502075	*	*	*	*		*	
M0004104-002	32		PINION VERTICAL AUGER FROM S/N 140502076	*	*	*	*		*	
M0000104-001	33		BUSHING TRANSMISSION SHAFT	*	*	*	*		*	
M0000161-002	34		TRANSMISSION SHAFT WITH SLEEVE+ORING 2014 VERSION	*	*	*	*		*	
A0001104-001	35		GEAR MOTOR/TRANSMISSION SHAFT PIN	*	*	*	*		*	
A0000114-001	36		TRANSMISSION SHAFT ORING 2012 VERSION	*	*	*	*		*	

FIRST CLASS: Spare Part List 2018 Rev.07

PART #	ESP		DESCRIPTION	FC1	FC2	FC3	115/ 60		220/ 60	
M0000114-001	36		TRANSMISSION SHAFT GASKET	*	*	*	*		*	
M0005117-004	37		BLACK TERMINAL BOARD COMPLETE	*	*	*	*		*	
M0006103-003	38		BLACK REAR HINGE	*	*	*	*		*	
M0000120-001	39		M5 SQUARE NUT	*	*	*	*		*	
M0001101-001	40		SCREW TE 5X12MM	*	*	*	*		*	
M0000105-001	41		RING NUT SHAFT FASTENING	*	*	*	*		*	
M0002112-007	42		BLACK COMPLETE INOX TANK	*	*	*	*		*	
M0000157-002	43		ELECTRONIC THERMOSTAT PROBE COMPLETE	*	*	*	*		*	
M0004105-002	45		HORIZONTAL AUGER GEAR	*	*	*	*		*	
M0004110-002	46		HORIZONTAL AUGER COMPLETE OF BUSHING 2012 VERS.	*	*	*	*		*	
M0006116-003	47		BLACK BASE	*	*	*	*		*	
M0006102-003	48		BLACK HINGE HOOK	*	*	*	*		*	
M0006115-003	49		BLACK FRONT HINGE	*	*	*	*		*	
M0006119-001	50		LOCKING BOLT	*	*	*	*		*	
M0000122-001	52		SCREW 6X12	*	*	*	*		*	
BOYLERM2CAP	60		FC2 ACCUMULATOR (3MTX1.06MM)		*		*		*	
BOYLERM3CAP	60		FC3 ACCUMULATOR (5MTX1.06MM)			*	*		*	
M0102112-001	60		FC1 ACCUMULATOR	*			*		*	
M0006161-001	61		BACK STAINLESS STEEL PANEL WITH HOLES - 42°C		ML_T R	ML_ TR			*	
M0006112-001	61		BACK STAINLESS STEEL PANEL WITH LOUVERS		ML_ A	ML_ A	*		*	
M0006112-001	61		BACK STAINLESS STEEL PANEL WITH LOUVERS		ML_ W	ML_ W	*		*	
M0106108-001	61		BACK STAINLESS STEEL PANEL WITH HOLES - FC1	*			*		*	
M0006124-001	62		SCREW 3.9X9.5	*	*	*	*		*	

FIRST CLASS: Spare Part List 2018 Rev.07

PART #	ESP		DESCRIPTION	FC1	FC2	FC3	115/ 60		220/ 60	
M0006192-004	63		KIT PLASTIC PANEL RIGHT\LEFT BLACK	*	*	*	*		*	
M0006192-005	63		KIT PLASTIC PANEL RIGHT\LEFT YELLOW	*	*	*	*		*	
M0006192-006	63		KIT PLASTIC PANEL RIGHT\LEFT BLUE	*	*	*	*		*	
M0006192-002	63		KIT PLASTIC PANEL RIGHT\LEFT VIOLET	*	*	*	*		*	
M0006113-001	64		RIGHT SIDE STAINLESS STEEL PANEL WITH LOUVERS	ML_ A	ML_ W	ML_ W	*		*	
M0006126-001	64		RIGHT SIDE STAINLESS STEEL PANEL (CONDENSER SIDE)		ML_ A	ML_ A	*		*	
M0006159-001	64		RIGHT SIDE PANEL WITH HOLES (CONDENSER SIDE) - 42°C	ML_ TR	ML_ T R	ML_ TR	*		*	
A0006102-001	65		KNOB SIDE PANEL		*	*	*		*	
M0006198-001	68		LEFT SIDE PANEL WITH LOUVERS AND MAIN SWITCH+PRESSURE SWITCH LIGHT	ML_ A	ML_ A	ML_ A	*		*	
M0006198-001	68		LEFT SIDE PANEL WITH LOUVERS AND MAIN SWITCH+PRESSURE SWITCH LIGHT		ML_ W	ML_ W	*		*	
I82L2206165	69		MAIN SWITCH	*	*	*	*		*	
TSC8X11	70		DRAIN SILICON TUBE f 8X11MM	*	*	*	*		*	
B06.031C	71		DRAIN PLASTIC CONNECTION	*	*	*	*		*	
A0005104-001	72		COMPRESSOR WARNING LIGHT 230V	*	*	*			*	
A0005105-001	72		COMPRESSOR WARNING LIGHT 115V	*	*	*	*			

FIRST CLASS: Spare Part List 2018 Rev.07

PART #	ESP		DESCRIPTION	FC1	FC2	FC3	115/ 60		220/ 60	
M0005148-001	73		MILLENNIUM ELECTRONIC BOARD ENGLISH	ML_ ALL	ML_ ALL	ML_ ALL	*		*	
M0005148-002	73		MILLENNIUM ELECTRONIC BOARD SPANISH	ML_ ALL	ML_ ALL	ML_ ALL	*		*	
M0005148-006	73		MILLENNIUM ELECTRONIC BOARD ENGLISH - LEVITT	ML_ ALL	ML_ ALL	ML_ ALL	*		*	
M0105101-001	74		TRADITIONAL ELECTRICAL WIRING FC1	ST_A LL			*		*	
M0205101-001	74		TRADITIONAL ELECTRICAL WIRING FC2		ST_A LL		*		*	
M0305101-001	74		TRADITIONAL ELECTRICAL WIRING FC3			ST_A LL	*		*	
M0205103-002	74		MILLENNIUM ELECTRICAL WIRING FC2		ML_ ALL		*		*	
M0305103-002	74		MILLENNIUM ELECTRICAL WIRING FC3			ML_ ALL	*		*	
M0105103-001	74		MILLENNIUM ELECTRICAL WIRING FC1	ML_ ALL			*		*	
M0005135-001	75		SCREW 2.9X9.5	*	*	*	*		*	
M0006111-002	76		STAINLESS STEEL FRONT PANEL	*	*	*	*		*	
M0006110-004	77		BLACK DRIP TRAY	*	*	*	*		*	
M0006117-001	78		PLASTIC BLACK DRIP TRAY	*	*	*	*		*	
M0005127-003	79		ELECTR. FC MILL + KIT UPGRADE STD	ST_A LL	ST_A LL	ST_A LL	*		*	
A5405102-001	80		RELAY NEK2125GK 115V/60HZ-100V/50HZ 2283039	*			*			
A2405101-001	80		RELAY EMT2130GK 220-240V/50HZ	*						

FIRST CLASS: Spare Part List 2018 Rev.07

PART #	ESP		DESCRIPTION	FC1	FC2	FC3	115/ 60		220/ 60	
A2605101-001	80		RELAY T2168GK 220-240V/50Hz 1253010		*	*				
A3605101-001	80		RELAY T2180GK 208-230V/60Hz 1253019		*	*			*	
M2605101-001	80		RELAY NT2178GK 220-240V/50HZ 1253012		*	*				
M2605103-001	80		RELAY NT2192GK 220-240V/50HZ 1253022		*	*				
M3605101-001	80		RELAY NT2192GK 208-230V/60HZ 1253026		*	*			*	
CL12283038	80		RELAY T2168GK 220-240V/50Hz		*	*				
A3405102-001	80		RELAY NEK2134GK 208-230V/60HZ 2271121	*					*	
CL12283002	80		RELAY NE2125GK 220-240V/50HZ	*						
CL12283002	80		RELAY NE2125GK 220-240V/50HZ	*						
M5605101-001	80		RELAY NT2178GK 115V/60HZ 1253050		*	*	*			
COND2252096	81		START CAPACITOR NE2125GK 115V/60Hz-100V/50HZ	*			*			
A2405103-001	81		START CAPACITOR EMT213025GK 220-240V/50HZ	*						
COND2252031	81		START CAPACITOR T2168GK 220- 240V/50Hz		*	*				
A2605102-001	81		START CAPACITOR T2180GK 220- 240V/50Hz 2252274		*	*				

FIRST CLASS: Spare Part List 2018 Rev.07

PART #	ESP	DESCRIPTION	FC1	FC2	FC3	115/ 60	220/ 60
M2605105-001	81	START CAPACITOR NT2192GK 220-240V/50HZ 2252329		*	*		
M5605104-001	81	RUN CAPACITOR NT2178GK 115V/60HZ 2253315		*	*	*	
COND2252084	81	START CAPACITOR T2168GK 115V/60Hz 2252281		*	*	*	
MD605101-001	81	START CAPACITOR T2180GK 208-230V/60HZ _ NT2178GK 220-240V/50HZ _ NT2192GK 208-230V/60HZ 2252269		*	*		*
A5405103-001	81	START CAPACITOR NEK2125GK 115V/60HZ-100V/50HZ 2252217	*			*	
M5605103-001	81	START CAPACITOR NT2178GK 115V/60HZ 2252273		*	*	*	
A3405103-001	81	START CAPACITOR NEK2134GK 208-230V/60HZ 2252325	*				*
COND2252092	81	START CAPACITOR NE2125GK 220-240V/50HZ	*				
A3605102-001	81	RUN CAPACITOR T2180GK 220-240V/50HZ _ T2180GK 208-230V/60HZ _ NT2178GK 220-240V/50HZ _ NT2192GK 220-240V/50HZ _ NT2192GK 208-230V/60HZ 2253310		*	*		*
A2405102-001	82	THERMAL PROTECTOR EMT2130GK 220-240V/50HZ	*				

FIRST CLASS: Spare Part List 2018 Rev.07

PART #	ESP		DESCRIPTION	FC1	FC2	FC3	115/ 60		220/ 60	
TER2319027	82		THERMAL PROTECTOR NE2125E 220-240V/50Hz T0660-G5	*						
TER2285148	82		THERMAL PROTECTOR T2140E 208- 230V/60Hz		*				*	
TER2297003	82		THERMAL PROTECTOR T2168GK 115V/60Hz 2297003		*	*	*			
TER2285164	82		THERMAL PROTECTOR T2168GK 220-240V/50Hz		*	*				
M5605102-001	82		THERMAL PROTECTOR NT2178GK 115V/60HZ 2291058		*	*	*			
M2605102-001	82		THERMAL PROTECTOR NT2178GK 220-240V/50HZ 2321110		*	*				
M2605104-001	82		THERMAL PROTECTOR NT2192GK 220-240V/50HZ 2321105		*	*				
M3605102-001	82		THERMAL PROTECTOR NT2192GK 208-230V/60HZ 2321091		*	*			*	
A3405101-001	82		THERMAL PROTECTOR NEK2134GK 208-230V/60HZ 2324009	*					*	
TER2321004	82		THERMAL PROTECTOR NE2125GK 115V/60HZ-100V/50HZ	*			*			
TER2321048	82		THERMAL PROTECTOR NE2125GK 220-240V/50HZ	*						

FIRST CLASS: Spare Part List 2018 Rev.07

PART #	ESP		DESCRIPTION	FC1	FC2	FC3	115/ 60		220/ 60	
A5405101-001	82		THERMAL PROTECTOR NEK2125GK 115V/60HZ-100V/50HZ 2321080	*			*			
C013COD.1373	83		SCHUKO POWER CORD	*	*	*			*	
ASS.CAVO-SPINA	83		POWER CORD FOR UK	*	*	*				
CAVOAL.UL15ALAV	83		POWER CORD 115 V U.L. FOR USA	*	*	*	*			
FFLC560501	84		SUPPRESSOR FILTER	*	*	*				
M0005112-001	85		CONNECTION FOR SUPPLYING WIRING	*	*	*	*		*	
A6005101-001	86		TRANSFORMER 60VA 100V	*	*	*				
A0005112-001	86		TRANSFORMER 60VA 115- 230/12Vac	*	*	*	*		*	
A2402102-001	87		EMT2130GK 220-240V/50HZ COMPRESSOR	*						
A5402101-001	87		NEK2125GK 115V/60HZ-100V/50HZ COMPRESSOR	*			*			
A3402101-001	87		NEK2134GK 208-230V/60HZ COMPRESSOR	*					*	
C9711A5166AD	87		NE2125GK 220-240V/50HZ COMPRESSOR	*						
M5602101-001	87		COMPRESSOR NT2178GK 115/60 922EG0204AF CSCR		ST_A	ST_A	*			
M5602101-001	87		COMPRESSOR NT2178GK 115/60 922EG0204AF CSCR		ST_ W	ST_ W	*			
M5602101-001	87		COMPRESSOR NT2178GK 115/60 922EG0204AF CSCR		ST_ R		*			
M5602101-001	87		COMPRESSOR NT2178GK 115/60 922EG0204AF CSCR		ML_ A	ML_ A	*			
M5602101-001	87		COMPRESSOR NT2178GK 115/60 922EG0204AF CSCR		ML_ W	ML_ W	*			

FIRST CLASS: Spare Part List 2018 Rev.07

PART #	ESP		DESCRIPTION	FC1	FC2	FC3	115/ 60		220/ 60	
M5602101-001	87		COMPRESSOR NT2178GK 115/60 922EG0204AF CSCR		ML_T R		*			
M3602102-001	87		COMPRESSOR NT2192GK 230/60 923ED0404AF CSCR		ST_T R	ST_T R			*	
M3602102-001	87		COMPRESSOR NT2192GK 230/60 923ED0404AF CSCR		ML_T R	ML_ TR			*	
M2602102-001	87		COMPRESSOR NT2178GK 220/50 922EA0404AC CSCR		ST_A	ST_A				
M2602102-001	87		COMPRESSOR NT2178GK 220/50 922EA0404AC CSCR		ST_ W	ST_ W				
M2602102-001	87		COMPRESSOR NT2178GK 220/50 922EA0404AC CSCR		ML_ A	ML_ A				
M2602102-001	87		COMPRESSOR NT2178GK 220/50 922EA0404AC CSCR		ML_ W	ML_ W				
M2602103-001	87		COMPRESSOR NT2192GK 220/50 923EA0404AC CSCR		ST_T R	ST_T R				
M2602103-001	87		COMPRESSOR NT2192GK 220/50 923EA0404AC CSCR		ML_T R	ML_ TR				
F11584	88		FUSE 5A 5X20	*	*	*	*		*	
AA005102-001	89		OLAB COIL 120/50-60 UL 11000BH/G6IU-2	*	*	*	*			
AD005103-001	89		OLAB COIL 230/50-60 CE 6000BH/K5FN	*	*	*			*	
AA605101-001	89		CEME COIL 5C R04/RP1 100-120/50- 60HZ UR	*	*	*	*			
AF005102-001	89		OLAB COIL 100/50-60 CE 6000BH/E1FN	*	*	*				
AD605101-001	89		CEME COIL 5C R1T/RP1 208- 240V/50-60HZ UR	*	*	*			*	
A0005103-001	90		FUSE F315MA 5X20	*	*	*	*		*	
A0102103-002	91		OLAB 1 WAY BODY VALVE	*			*		*	

FIRST CLASS: Spare Part List 2018 Rev.07

PART #	ESP		DESCRIPTION	FC1	FC2	FC3	115/ 60		220/ 60	
A0202101-001	91		CEME 2 WAY BODY VALVE		*	*	*		*	
A0202102-001	91		OLAB 2 WAY BODY VALVE		*	*	*		*	
A0302101-001	91		OLAB 3 WAY BODY VALVE NC DN1,2 8461-R		*	*	*		*	
A0302102-001	91		CEME 3 WAY BODY VALVE		*	*	*		*	
A0002113-001	92		DRYER	*			*		*	
M0602115-001	92		DRYER SOLID CORE		*	*	*		*	
A0002101-001	93		R404A PRESSURE SWITCH	*	*	*	*		*	
P0002118-001	93		R134A PRESSURE SWITCH	*	*					
TEEDIRAMED6	94		D.6 CUPPER TEE	*	*	*	*		*	
C082036007	95		IRON CONDENSER STFT 16224		ST_A	ST_A	*		*	
C082036007	95		IRON CONDENSER STFT 16224		ML_A	ML_A	*		*	
M0102111-001	95		IRON CONDENSER STFT 14T 2R 145A" FC1	*			*		*	
M0602103-001	95		IRON CONDENSER STFT 18224/245		ST_T R	ST_T R	*		*	
M0602103-001	95		IRON CONDENSER STFT 18224/245		ML_T R	ML_T TR	*		*	
V4012255	96		ALUMINUM FAN BLADE 254/25°		ST_A					
V4012255	96		ALUMINUM FAN BLADE 254/25°		ML_A					
M0102110-001	96		ALUMINUM FAN BLADE 172/34°	*			*		*	
V4012016M3/2	96		ALUMINUM FAN BLADE 254/31°			ST_A	*			
V4012016M3/2	96		ALUMINUM FAN BLADE 254/31°		ST_T R	ST_T R	*		*	
V4012016M3/2	96		ALUMINUM FAN BLADE 254/31°			ML_A	*			

FIRST CLASS: Spare Part List 2018 Rev.07

PART #	ESP		DESCRIPTION	FC1	FC2	FC3	115/ 60		220/ 60	
V4012016M3/2	96		ALUMINUM FAN BLADE 254/31°		ML_T R	ML_T R	*		*	
V4012201M3WBM	96		ALUMINUM FAN BLADE 200/34°		ST_ W	ST_ W	*		*	
V4012201M3WBM	96		ALUMINUM FAN BLADE 200/34°		ML_ W	ML_ W	*		*	
G0005102-001	97		TIMER SUPPORT	*	*	*	*		*	
T027600231	98		TIMER 110V/50-60HZ	ST_A	ST_A	ST_A	*			
T027600231	98		TIMER 110V/50-60HZ	ST_T R	ST_T R	ST_T R	*			
T027600231	98		TIMER 110V/50-60HZ	ML_ A	ML_ A	ML_ A	*			
T027600231	98		TIMER 110V/50-60HZ	ML_ TR	ML_T R	ML_ TR	*			
T027600231	98		TIMER 110V/50-60HZ		ST_ W	ST_ W	*			
T027600231	98		TIMER 110V/50-60HZ		ML_ W	ML_ W	*			
AD605102-001	99		FAN MOTOR 82CE-3016/41 230V/50-60HZ		ST_A	ST_A			*	
AD605102-001	99		FAN MOTOR 82CE-3016/41 230V/50-60HZ		ST_T R	ST_T R			*	
AD605102-001	99		FAN MOTOR 82CE-3016/41 230V/50-60HZ		ML_ A	ML_ A			*	
AD605102-001	99		FAN MOTOR 82CE-3016/41 230V/50-60HZ		ML_T R	ML_ TR			*	
A5605102-001	99		FAN MOTOR 82UL-3016/29 115V/60HZ		ST_A	ST_A	*			
A5605102-001	99		FAN MOTOR 82UL-3016/29 115V/60HZ		ST_T R	ST_T R	*			
A5605102-001	99		FAN MOTOR 82UL-3016/29 115V/60HZ		ML_ A	ML_ A	*			

FIRST CLASS: Spare Part List 2018 Rev.07

PART #	ESP		DESCRIPTION	FC1	FC2	FC3	115/ 60		220/ 60	
A5605102-001	99		FAN MOTOR 82UL-3016/29 115V/60HZ		ML_ R	ML_ TR	*			
AD005102-001	99		FAN MOTOR 82CE-2010/77 230V/50-60HZ	*					*	
AD005102-001	99		FAN MOTOR 82CE-2010/77 230V/50-60HZ		ST_ W	ST_ W			*	
AD005102-001	99		FAN MOTOR 82CE-2010/77 230V/50-60HZ		ML_ W	ML_ W			*	
A5005101-001	99		FAN MOTOR 82UL-2009/32 115V/60HZ	*			*			
A5005101-001	99		FAN MOTOR 82UL-2009/32 115V/60HZ		ST_ W	ST_ W	*			
A5005101-001	99		FAN MOTOR 82UL-2009/32 115V/60HZ		ML_ W	ML_ W	*			
M0001104-001	100		DRIP TRAY BRACKET	*	*	*	*		*	
PAR114-ELGR	101		SMALL RUBBER FEET	*	*	*	*		*	
A5601101-001	102		U.S.A. FEET	*	*	*	*		*	
DADOD.6ZFL	103		M6 NUT	*			*		*	
DADOD.8ZFL	103		M8 NUT		*	*	*		*	
VTTE6X12Z	104		SCREW 6X12	*			*		*	
VTTE8X16Z	104		SCREW 8X16	*	*	*	*		*	
M0005134-001	105		BOARD BOX	*	*	*	*		*	
M0003130-001	107		OUTLET RESTRICTION	*	*	*	*		*	
M0000144-001	109		WASHER FOR GEAR MOTOR'S SCREW D.6,3	*	*	*	*		*	
A0005110-001	110		PRESSURE SWITCH CONNECTION WIRES	*	*	*	*		*	
M0000124-001	111		CONNECTION WIRES COVERING BAG	*	*	*	*		*	
M0005142-001	112		ELECTRICAL KIT OF CONDENSERS FOR POWER FACTOR IMPROVEMENT			*	*			

FIRST CLASS: Spare Part List 2018 Rev.07

PART #	ESP	DESCRIPTION	FC1	FC2	FC3	115/ 60	220/ 60
M0005141-001	113	CONDENSER FOR POWER FACTOR IMPROVEMENT			*	*	
A0006103-001	115	MAXIMUM LEVEL STICKERS	*	*	*	*	*
M0102116-001	117	FC1 CAPILLARY 1,06MMX2,5MT	*				
A0002105-001	117	FC1 CAPILLARY 0,91MMX2,75MT	*			*	*
M0005151-001	118	POWER CORD SCREW TERMINAL BOARD	*	*	*	*	*
C0005101-001	121	OPTICAL/MAGNETIC READER WIRE	ST_A	ST_A	ST_A	*	*
B1071234	122	MAGNET SLEEVE ***FOR ELCO GEAR MOTOR ONLY FROM PROD. 40-06***	*	*	*	*	*
M1551004	123	PERMANENT MAGNET ***FOR ELCO GEAR MOTOR ONLY FROM PROD. 2002***	*	*	*	*	*
A0000123-002	124	KIT COMPLETE PLASTIC COVER WITH HALL CELL ELCO	*	*	*	*	*
C025006	124	HALL CELL KENTA	*	*	*	*	*
M0005139-003	125	COMPLETE GEAR MOTOR WITH HALL SENSOR KENTA	*	*	*	*	*
M0005139-002	125	COMPLETE GEAR MOTOR WITH HALL SENSOR ELCO	*	*	*	*	*
M0004102-002	126	HORIZONTAL AUGER BUSHING 2012 VERS.	*	*	*	*	*
A0000117-001	127	GEAR MOTOR BUSHING	*	*	*	*	*
A0000115-001	128	SCREW TE M5X20MM	*	*	*	*	*
M0003138-001	129	HANDLE FOR DISABLE PEOPLE	*	*	*	*	*
M0004102-001	130	HORIZONTAL AUGER BUSHING	*	*	*	*	*
A0005106-001	164	MOLEX CONNECTOR FOR MAIN SWITCH	*	*	*	*	*

FIRST CLASS: Spare Part List 2018 Rev.07

PART #	ESP		DESCRIPTION	FC1	FC2	FC3	115/ 60		220/ 60	
M0602112-001	200		KIT COPPER PIPE D.6MM AIR CONDENSER-TEE-FILTER FC2/3		ST_A	ST_A			*	
M0602112-001	200		KIT COPPER PIPE D.6MM AIR CONDENSER-TEE-FILTER FC2/3		ST_T R	ST_T R			*	
M0602112-001	200		KIT COPPER PIPE D.6MM AIR CONDENSER-TEE-FILTER FC2/3		ML_A	ML_A			*	
M0602112-001	200		KIT COPPER PIPE D.6MM AIR CONDENSER-TEE-FILTER FC2/3		ML_T R	ML_T R			*	
M0102118-001	200		KIT COPPER PIPE D.6MM AIR CONDENSER-TEE-FILTER FC1	*					*	
M5602102-001	200		KIT COPPER PIPE D.6MM AIR CONDENSER-TEE-FILTER FC2/3		ST_A	ST_A	*			
M5602102-001	200		KIT COPPER PIPE D.6MM AIR CONDENSER-TEE-FILTER FC2/3		ST_T R	ST_T R	*			
M5602102-001	200		KIT COPPER PIPE D.6MM AIR CONDENSER-TEE-FILTER FC2/3		ML_A	ML_A	*			
M5602102-001	200		KIT COPPER PIPE D.6MM AIR CONDENSER-TEE-FILTER FC2/3		ML_T R	ML_T R	*			
M0102121-001	200		KIT COPPER PIPE D.6MM AIR CONDENSER-TEE-FILTER FC1	*			*			
M0102114-001	201		COPPER PIPE D.6MM TEE - PRESSOSTAT	*	*	*	*	*	*	*

FIRST CLASS: Spare Part List 2018 Rev.07

PART #	ESP		DESCRIPTION	FC1	FC2	FC3	115/ 60		220/ 60	
M0602114-001	202		KIT COPPER PIPE D.6MM WATER CONDENSER-TEE-FILTER FC2W/3W		ST_ W	ST_ W	*		*	
M0602114-001	202		KIT COPPER PIPE D.6MM WATER CONDENSER-TEE-FILTER FC2W/3W		ML_ W	ML_ W	*		*	
CB5X8M2/3W	203		WATER CONDENSER		ST_ W	ST_ W	*		*	
CB5X8M2/3W	203		WATER CONDENSER		ML_ W	ML_ W	*		*	
M0602107-001	204		PRESSURE SWITCH VALVE COPPER PIPE D.8 -AIR CONDENSER		ST_ W	ST_ W	*		*	
M0602107-001	204		PRESSURE SWITCH VALVE COPPER PIPE D.8 -AIR CONDENSER		ML_ W	ML_ W	*		*	
A0602102-001	205		PRESSURE SWITCH VALVE WVFX1025		ST_ W	ST_ W	*		*	
A0602102-001	205		PRESSURE SWITCH VALVE WVFX1025		ML_ W	ML_ W	*		*	
A0600101-001	206		PRESSURE SWITCH VALVE SUPPORT		ST_ W	ST_ W	*		*	
A0600101-001	206		PRESSURE SWITCH VALVE SUPPORT		ML_ W	ML_ W	*		*	
NIPLES+RACCOR	207		BRASS NIPLES 1/4" D.8MM		ST_ W	ST_ W	*		*	
NIPLES+RACCOR	207		BRASS NIPLES 1/4" D.8MM		ML_ W	ML_ W	*		*	
M0602108-001	209		WATER OUTPUT COPPER PIPE D.8MM		ST_ W	ST_ W	*		*	
M0602108-001	209		WATER OUTPUT COPPER PIPE D.8MM		ML_ W	ML_ W	*		*	
M0602106-001	210		WATER INPUT COPPER PIPE D.8MM		ST_ W	ST_ W	*		*	

FIRST CLASS: Spare Part List 2018 Rev.07

PART #	ESP		DESCRIPTION	FC1	FC2	FC3	115/ 60		220/ 60	
M0602106-001	210		WATER INPUT COPPER PIPE D.8MM		ML_ W	ML_ W	*		*	
V TTC5X16CRIN	211		SHAFT FASTENING SCREW - PRESSURE SWITCH VALVE		ST_ W	ST_ W	*		*	
V TTC5X16CRIN	211		SHAFT FASTENING SCREW - PRESSURE SWITCH VALVE		ML_ W	ML_ W	*		*	
M0602110-001	212		CAPILLARY COPPER PIPE TEE - PRESSURE SWITCH VALVE		ST_ W	ST_ W	*		*	
M0602110-001	212		CAPILLARY COPPER PIPE TEE - PRESSURE SWITCH VALVE		ML_ W	ML_ W	*		*	
M0602113-001	213		KIT COPPER PIPE D.6MM COMPRESSOR-TEE-WATER CONDENSER FC2W/3W		ST_ W	ST_ W	*		*	
M0602113-001	213		KIT COPPER PIPE D.6MM COMPRESSOR-TEE-WATER CONDENSER FC2W/3W		ML_ W	ML_ W	*		*	
A0002112-001	214		CHARGE VALVE +COPPER PIPE D.6MM 26,5CM FC2/3		*	*	*		*	
A0002111-001	214		CHARGE VALVE +COPPER PIPE D.6MM 16,5CM FC1	*			*		*	
M0202102-001	252		COMPRESSOR COPPER PIPE D.6MM - AIR CONDENSER		ST_A	ST_A	*		*	
M0202102-001	252		COMPRESSOR COPPER PIPE D.6MM - AIR CONDENSER		ST_T R	ST_T R	*		*	
M0202102-001	252		COMPRESSOR COPPER PIPE D.6MM - AIR CONDENSER		ML_ A	ML_ A	*		*	
M0202102-001	252		COMPRESSOR COPPER PIPE D.6MM - AIR CONDENSER		ML_T R	ML_ TR	*		*	

FIRST CLASS: Spare Part List 2018 Rev.07

PART #	ESP		DESCRIPTION	FC1	FC2	FC3	115/ 60		220/ 60	
M0102103-001	252		COMPRESSOR COPPER PIPE D.6MM - AIR CONDENSER	*			*		*	
M0102107-001	253		BOYLER COPPER PIPE D.6MM - COMPRESSOR	*			*		*	
C04060400100	300		IRON CONDENSER 2			ST_T R			*	
C04060400100	300		IRON CONDENSER 2			ML_ TR			*	
M0302105-001	301		CONDENSER 1 COPPER PIPE D.6MM - CONDENSER 2			ST_T R			*	
M0302105-001	301		CONDENSER 1 COPPER PIPE D.6MM - CONDENSER 2			ML_ TR			*	
M0000150-001	350		MACHINE MODULE SHAFT	ML_ ALL	ML_ ALL	ML_ ALL	*		*	
M0005149-001	351		"MACHINE MODULE" MILLENIUM ELECTRONIC KIT	ML_ ALL	ML_ ALL	ML_ ALL	*		*	
M0306140-001	352		KIT FRONT PANEL FC3 AISI430+ALLUM.			ML_ A	*		*	
B0005105-001	353		SENSOR REED MEDER MK11/M8- BV14649		ML_ A	ML_ A	*		*	
M0306137-001	354		STRIP LED 24VDC 500MM 120LED/M IP67			ML_ A	*		*	
A0005121-001	356		SWITCHING POWER SUPPLY 100- 240/24 LPV-20-24		ML_ A	ML_ A	*		*	
M93CSGRFB	357		CONNECTION FOR WIRING PA10HDS 12P		ML_ A	ML_ A	*		*	
DADOD.3Z	358		M3 NUT		ML_ A	ML_ A	*		*	
ROND.D.3.2EDENT	359		WASHER D.3,2		ML_ A	ML_ A	*		*	

FIRST CLASS: Spare Part List 2018 Rev.07

PART #	ESP		DESCRIPTION	FC1	FC2	FC3	115/ 60		220/ 60	
ROND.D.3ZPIANA	360		WASHER D.3		ML_A	ML_A	*		*	
M0306135-001	361		FRONT GRAPHIC PANNEL FC3 BLU BEVERAGE			ML_A	*		*	
M0306135-002	361		FRONT GRAPHIC PANNEL FC3 NO GRAPHIC			ML_A	*		*	
M0306135-003	361		FRONT GRAPHIC PANNEL FC3 SLUSH PUPPIE			ML_A	*		*	
M0206135-001	362		KIT FRONT PANEL FC2 AISI430+ALLUM.		ML_A		*		*	
M0206136-001	363		STRIP LED FC2 24VDC 350MM 120LED/M IP67		ML_A		*		*	
M0206133-002	634		FRONT GRAPHIC PANNEL FC2 NO GRAPHIC		ML_A		*		*	
M0206138-001	365		THICKNESS behind E-BOARD		ML_A		*		*	
VTTTC2.9X13CR	366		SCREW TSP 2.9X16		ML_A		*		*	
M0306103-002						*	*		*	
M0206103-002					*		*		*	
M0106103-002				*			*		*	